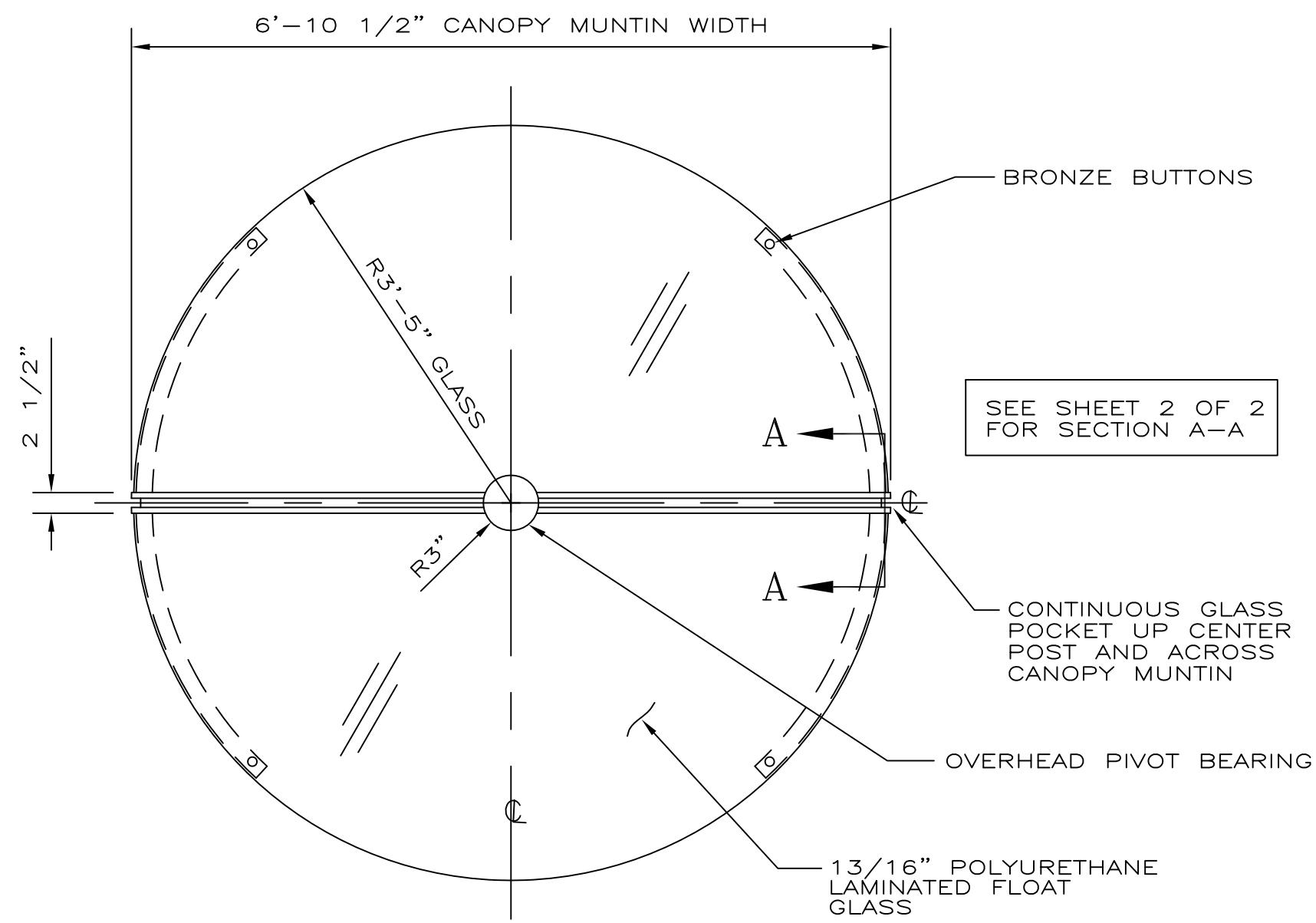
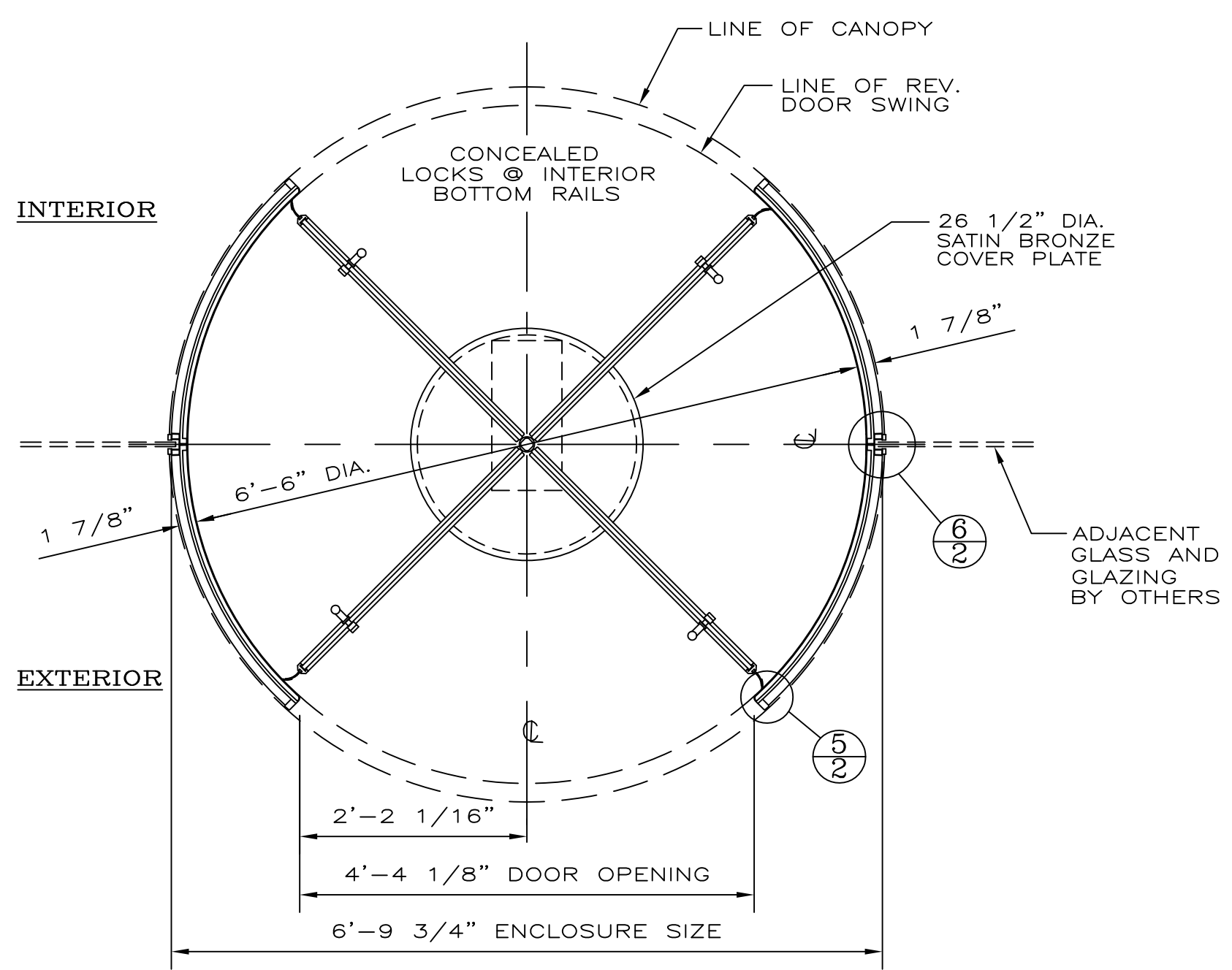


ELEVATION
 ONE (1) DOOR REQUIRED THUS
 SCALE: 3/4" = 1'-0"

NOTE: FLOOR UNDER REV. DOOR MUST BE LEVEL

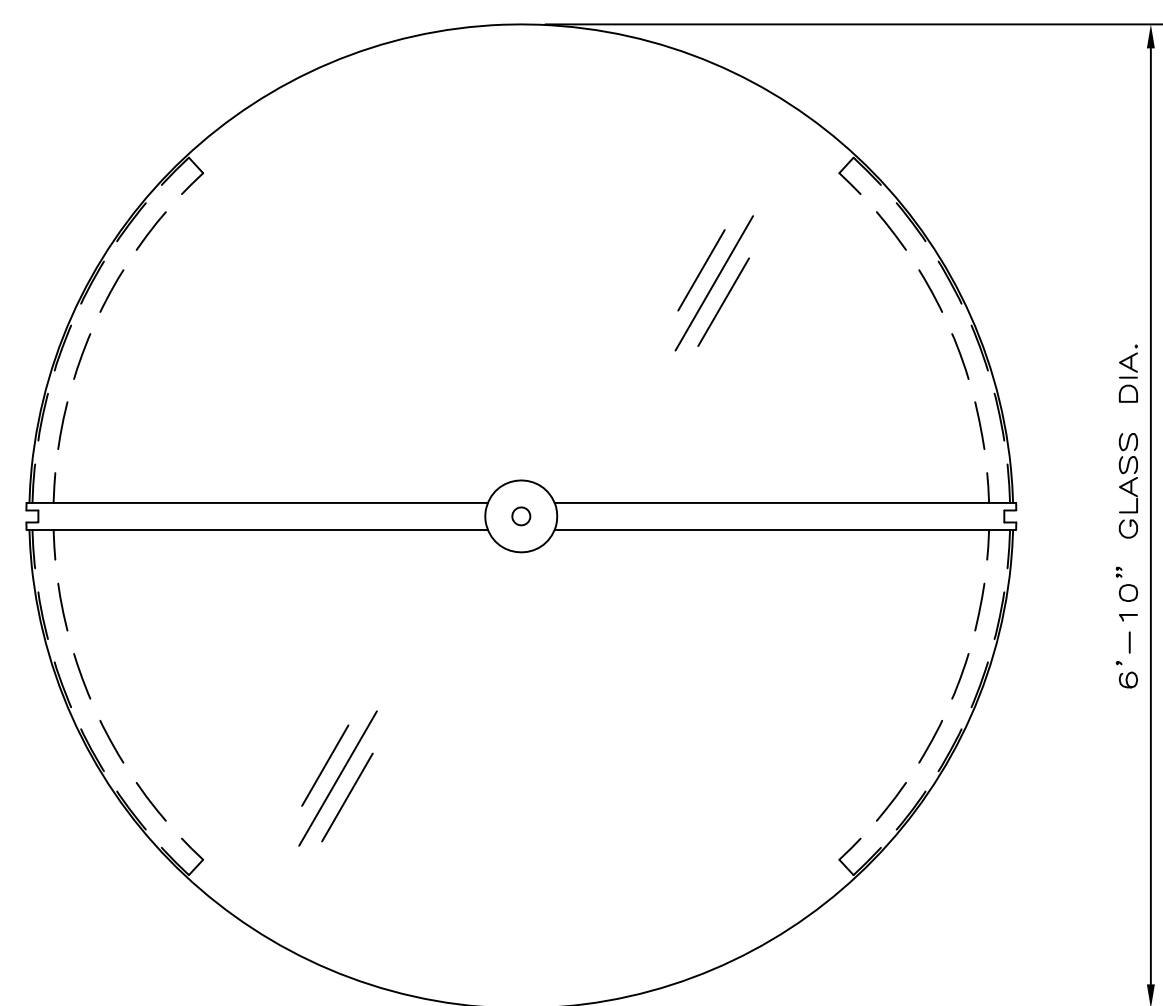


CANOPY PLAN
 SCALE: 3/4" = 1'-0"

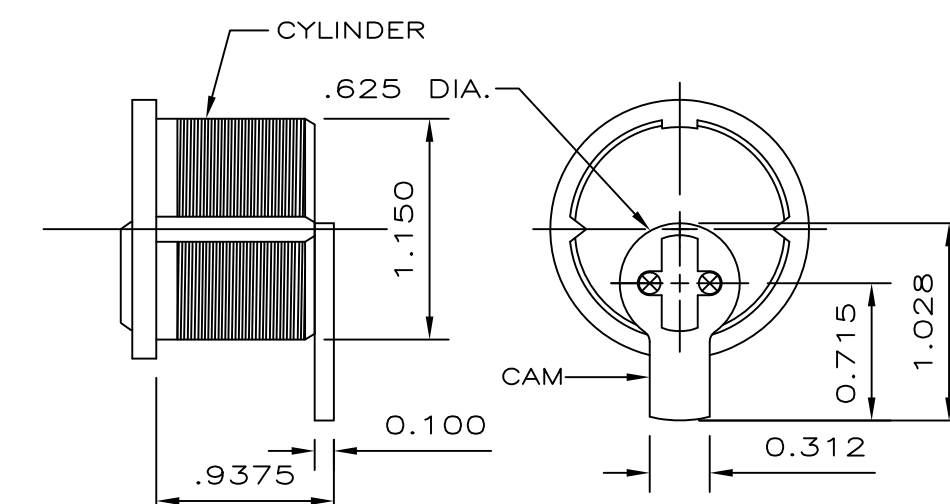


PLAN
 SCALE: 3/4" = 1'-0"

NOTE: CANOPY MUNTIN WIDTH OF 6'-10 1/2"



REFLECTED CANOPY PLAN
 SCALE: 3/4" = 1'-0"



TYPICAL CYLINDER AND "STRAIGHT ARM" TYPE CAM REQUIRED SUPPLIED BY OTHERS FULL SIZE

GENERAL NOTES

CONTRACTOR SHOULD CHECK & TAKE NOTE OF ALL DIMENSIONS AS C.D.C. (CRANE DOOR CO.) ASSUMES NO RESPONSIBILITY BEYOND MANUFACTURING IN ACCORDANCE WITH THE DIMENSIONS SHOWN ON SHOP DRAWINGS.

APPROVAL INDICATES THAT THIS SHOP DRAWING HAS BEEN CHECKED AND THAT YOU AUTHORIZE US TO FABRICATE MATERIALS AS SHOWN HERE-IN.

REVOLVING DOOR PERIMETER CAULKING (INCLUDING BASE SECTION TO FLOOR) AND CANOPY COVER CAULKING NOT BY C.D.C. ALL HOLES IN FLOOR NOT BY C.D.C.

MATERIAL TO BE:

.064 MIN. THICKNESS BRONZE SHEET 280 MUNTZ METAL.
 .125 MIN. THICKNESS BRONZE EXTRUSION CDA 385 ALLOY. (UNLESS OTHERWISE SPECIFIED)

FINISH TO BE:

SATIN AND LACQUERED

GLASS TO BE: CLEAR

1/2" TEMPERED FLOAT FOR WINGS (FACTORY GLAZED)
 9/16" BENT LAMINATED FLOAT FOR ENCLOSURE
 13/16" POLYURETHANE LAMINATED FLOAT FOR CEILING

GLASS TO MEET ANSI Z97.1 AND 16 CFR 1201. ALL TEMPERED GLASS TO HAVE SAFETY LOGOS. IF ADDITIONAL LOGOS ARE REQUIRED PLEASE SPECIFY.




HARDWARE SCHEDULE

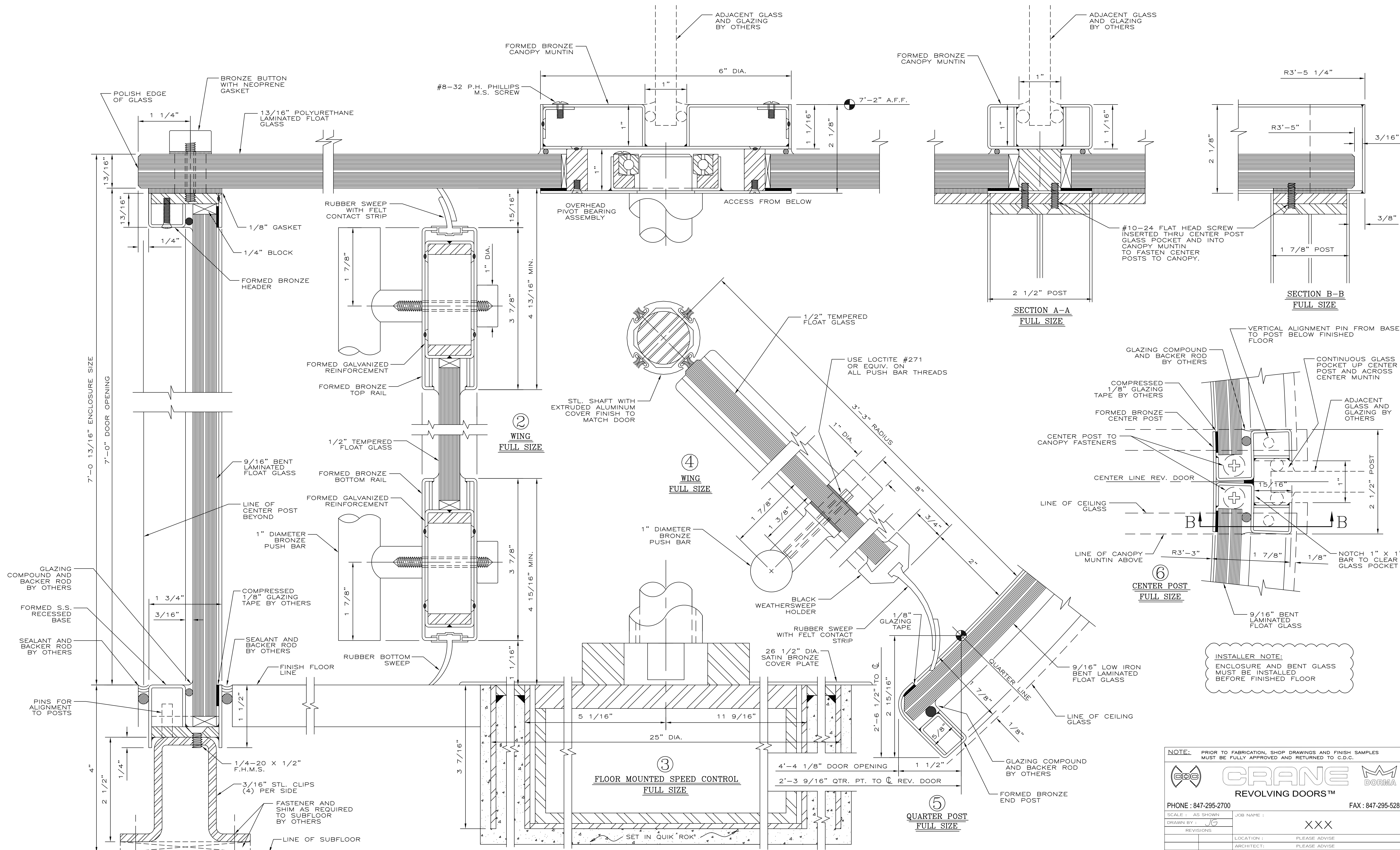
- FLOOR MOUNTED MANUAL SPEED CONTROL UNIT.
- OVERHEAD MOUNTED PIVOT BEARING.
- FULVIEW II PANIC PROOF BOOK-FOLD MECHANISM IN COMPLIANCE WITH ALL APPLICABLE REGULATIONS.
- LOCKS: CONCEALED REV. DOOR TYPE TWO (2) REQUIRED INSTALLED AT BOTTOM OF TWO ADJACENT WINGS FOR INTERIOR LOCKING.
- CYLINDERS: STANDARD SIZE MORTISE TYPE, TWO (2) REQUIRED PER REV. DOOR UNIT, TO BE SUPPLIED BY OTHERS TO C.D.C. FOR SHOP INSTALLATION.
- PUSH BARS: 1" DIA. BRONZE, VERTICALLY MOUNTED, FINISHED TO MATCH.

INSTALLER NOTE:

BOOK-FOLD TENSION IS NOT PRESET; IT MUST BE ADJUSTED TO MEET BUILDING CONDITIONS.

NOTE: PRIOR TO FABRICATION, SHOP DRAWINGS AND FINISH SAMPLES MUST BE FULLY APPROVED AND RETURNED TO C.D.C.

  	
REVOLVING DOORS™	
PHONE : 847-295-2700	FAX : 847-295-5288
SCALE : AS SHOWN	JOB NAME :
DRAWN BY : J/G	XXX
REVISIONS	
LOCATION :	PLEASE ADVISE
ARCHITECT :	PLEASE ADVISE
CONTRACTOR :	PLEASE ADVISE
SUB. CONTRACTOR :	PLEASE ADVISE
MFG. REPRESENTATIVE :	PLEASE ADVISE
FAB. CHECK :	HOW. CHECK :
CHECKED BY :	NOTES
ORD. NO. :	X
DATE : 2009	SHEET 1 OF 2
	DRAWING NO. : BZ 4000 F



1
ENCLOSURE WALL
FULL SIZE

CONTRACTOR NOTE:
CONTRACTOR TO PROVIDE
A 25 1/2" X 3 13/16" DEEP
CUTOUT TO ACCEPT SPEED
CONTROL UNIT AND FLOOR RING.

3
FLOOR MOUNTED SPEED CONTROL
FULL SIZE

4
WING
FULL SIZE

2
WING
FULL SIZE

SECTION A-A
FULL SIZE

SECTION B-B
FULL SIZE

6
CENTER POST
FULL SIZE

INSTALLER NOTE:
ENCLOSURE AND BENT GLASS
MUST BE INSTALLED
BEFORE FINISHED FLOOR

NOTE: PRIOR TO FABRICATION, SHOP DRAWINGS AND FINISH SAMPLES MUST BE FULLY APPROVED AND RETURNED TO C.D.C.

CRANE DORMA	
REVOLVING DOORS™	
PHONE : 847-295-2700	FAX : 847-295-5288
SCALE : AS SHOWN	JOB NAME :
DRAWN BY : JG	XXX
REVISIONS	
LOCATION :	PLEASE ADVISE
ARCHITECT :	PLEASE ADVISE
CONTRACTOR :	PLEASE ADVISE
SUB. CONTRACTOR :	PLEASE ADVISE
MFG. REPRESENTATIVE :	PLEASE ADVISE
FAB. CHECK :	HOW. CHECK :
CHECKED BY :	NOTES
ORD. NO. :	X
DATE : 2009	SHEET 2 OF 2
	DRAWING NO. : BZ 4000 F