

dormakaba evolo Manager | KEM

Lean and Scalable Toolchain



Advantages at a glance

- Scalable programming**
 Choice of manual programming, using KEM software and a programming device or through wireless functionality: select according to your needs
- Efficient and user friendly**
 Convenient configuration and maintenance through wireless programming and automatic recognition of door components
- Easy workflows**
 Clear menus and wizards help users to program access media and electronic door locks, readers and cylinder
- Overview and monitoring**
 Easy to follow displays and analysis of door events – the software's filter function helps you to find specific events easily
- Wireless function**
 Convenient programming from your desk: the standalone door components are remotely connected to your access system via radio

Adaptable access control system

dormakaba evolo Manager (KEM) is a comprehensive access control system and easy to manage. It has various programming tools so that individual access rights can be flexibly adapted step by step, depending on the situation.

Manual programming

In smaller systems, access data can be programmed and deleted directly at the door. The programming medium (master card) can simply be held to the electronic door component and programming can begin.

Software and programmer

If time profiles are used or the number of users increases, the high-performance dormakaba evolo Manager (KEM) administration software with a programmer and a desktop reader are available. The KEM software manages the door components and if needed, existing mechanical locking systems can also be managed at the same time.

The CardLink function

Using CardLink, area- and time-specific access data can be programmed directly onto the access medium. For this, you may choose programming via the terminal, wireless remote reader or with the desktop reader which is connected to the PC. Lost media automatically expire.

The Wireless function

With the wireless function, a connection can be established via radio over the wireless gateway 90 40 to the central access system. Thus, programming can be effected immediately from the PC and offers great convenience.

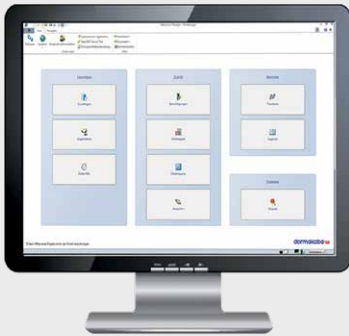
Features dormakaba evolo Manager & desktop reader 91 08

dormakaba evolo Manager/KEM software

All users, media and door components can be easily and clearly managed using the network-enabled KEM software. The allocation of access authorisations can therefore be implemented intuitively. The event memory can be extracted to obtain an overview of all access and system events. Also, time profiles can be set up and users programmed and managed. As a PC software, it is installed once on a computer and launched when required.

• System requirements:

Operating system (32/64Bit): Windows 10; Windows Server 2016; Windows Server 2019.



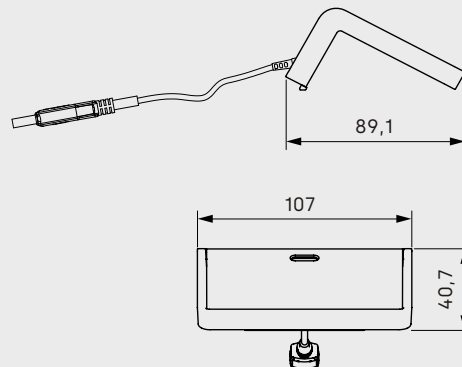
dormakaba evolo Manager/KEM administration software

dormakaba desktop reader 91 08

Programming and user media can be imported and written using the desktop reader connected to evolo Manager by USB.



dormakaba desktop reader 91 08
(data in mm)



Technical data

dormakaba evolo Manager/KEM

Versions:

- 200 objects
- unlimited

Processor:

- 1.4GHz or higher (2.4 GHz recommended)

Working memory:

- 1 GB (2 GB recommended)

Hard disk:

- min. 6 GB free memory, including all additional components supplied (Microsoft .Net Framework 4.8, Microsoft SQL Server 2019 Express, Microsoft System CLR Types for SQL Server 2016, Microsoft SQL Server 2016 Management Objects, Crystal Reports Basic for Visual Studio 2010, Kaba EAC Service Tool, Windows Installer 4.5). The additional components are part of the installation and are installed if not present.

• Screen resolution:

min. 1024 x 768 (1920 x 1200 recommended)

• Interfaces: 2 x USB

dormakaba desktop reader 91 08

RFID technologies supported:

- LEGIC CTC (prime/advant)
- LEGIC advant
- MIFARE DESFire

Dimensions:

- 107 x 40.2 x 89.3 mm (W x H x D)

Housing material:

- Black plastic with silver trim

Power supply:

- External power supply USB, 5 V/max. 500 mA

Interfaces:

- USB V2.0 low speed

Environmental conditions:

- Protection class: IP20
- Temperature: 0°C to +40°C
- Humidity: 0 to 95% rH, non-condensing
- Climate: not suitable for use in corrosive atmospheres (chlorine, ammonia)

Programming media and Programmer 14 60

Programming media

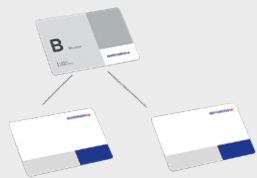
Access rights are created and changed using the programming media. They are used exclusively for this purpose. Master A media are used to authorise Master B media (A/B structure). The grouping of user media is only possible with an A/B structure if only manual programming is used. The master B media are used to feed in and programme the user media (B structure).

- **Programming master A:** Initialisation and programming medium for programming the standalone components. Used for A/B structures if the users are to be created in groups during manual programming.
- **Programming master B:** Initialisation and programming medium for programming the standalone components. Used for B structures when programmed without groups or with software.
- **Programming master T:** Temporary programming master T is a special type of programming media for standalone door components. These media are only valid for a certain time period and have limited functionality. This allows a high degree of flexibility when managing locking systems because a master T medium can be handed over to service staff without having to hand out the security-relevant Master B. Master T is derived from programming master B and is used to update standalone components.
- **Security cards:** Security cards define the system's unique security code for data exchange via the access medium.

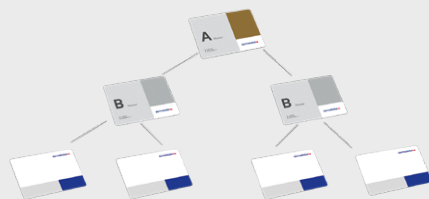
Technical data

Programming cards

- Programming Master A, MIFARE
- Programming Master B, MIFARE
- Programming Master T, MIFARE
- Programming Master A, LEGIC
- Programming Master B, LEGIC
- Programming Master T, LEGIC
- Security card C, MIFARE
- Security card C1 and C2, LEGIC
- Card size: 85 x 54 mm
- Protection class: IP67
- Temperature -25 °C to +70 °C
- Humidity 0 to 95% rH, non-condensing



Master B structure



Master A/B structure

dormakaba programmer 1460

This programming device communicates wirelessly with the door components. This allows data to be imported and exported. The programming unit and the dormakaba evolo Manager software are required for programming the system.

- Supported component types: LEGIC, MIFARE, MRD and TouchGo
- Number of locking plans: 100
- Number of components per locking plan: 512
- Storage medium: SD, integrated
- Memory size used: 2 GB
- Connection to components: One-Wire RS232 (115 200 baud) and NFC

dormakaba programmer 1460

Dimensions / weight:

- 88 x 190 x 40 mm (W x H x D)
- Weight: 350 g

Power / interfaces:

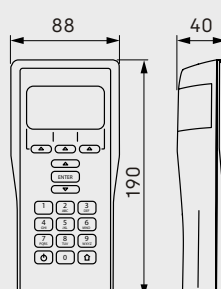
- Power supply: NiMH battery/Ext. USB power supply 5 V/ max. 350 mA
- Charger: 100–240 V AC, 50–60 Hz
- Interfaces: Wireless NFC communication with the door components/one-wire interface for firmware updates/USB interface for connecting PCs (transfers from and to the software)

Environmental conditions:

- Temperature: 0°C to + 50°C
- Protection class: IP40
- Humidity: 0 to 95% rH, non-condensing
- Climate: not suitable for use in corrosive atmospheres (chlorine, ammonia)



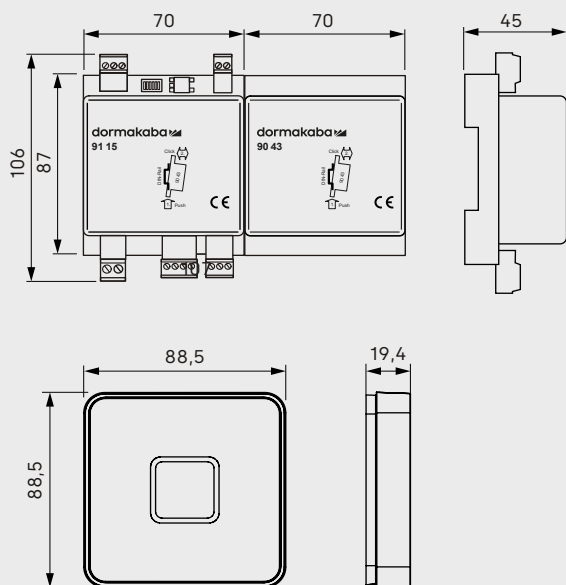
dormakaba Programmer 1460 (data in mm)



Wireless update reader

Wireless update reader

The desired access data can be programmed on the PC using the evol0 Manager software and transferred to the wireless reader, where the users collect the new authorisations for their badges. New access rights can therefore be granted quickly and efficiently as the doors concerned do not need to be reprogrammed. You also have the option of transferring new CardLink access rights directly to the update reader via the programming device.



Wireless update reader:
Remote reader 91 15 and an extension module 90 43 combined with a registration unit 90 01 as an example (data in mm)

Technical data

Remote reader 91 15

RFID technologies supported:

- LEGIC CTC (prime/advant)
- LEGIC advant
- MIFARE DESFire

Design / dimensions:

- 70 x 106 x 45 mm (W x H x D)
- Colour: black
- Housing: for DIN rails power supply 100–240 V AC 50–60 Hz (max. 200 mA)

Interfaces:

- Coaxial connection for registration unit
- RS 485: Connection to host; electrically isolated
- 2 binary inputs: max. 5 V DC
- 1 relay output: - max. 34 V DC/60 W,
- max. 27 V AC/60 V AC

Power supply:

- 12 27V AC, 50/60 Hz or 10 34V DC
- Power consumption: type 3 W, max. 4.5 W
- The clock runs for a maximum of 120 hours without power.

Environmental conditions:

- Temperature: -25°C to +70°C
- Protection class: IP40
- Humidity: 0% to 95%, non-condensing

Certificates / standards:

- EN 301 489-1, EN 301 489-3,
EN 300 330-1, EN 300 330-2
- R&TTE 1999/5/EU

Extension module 90 43

Designs / material / dimensions:

- Black ABS housing
- 70 x 87 x 45 mm (W x H x D)

Radio interface:

- Technology: IEEE 802.15.4
- Frequency band: 2400 to 2485.5 MHz
(16 channels)

Environmental conditions:

- Operating temperature: -0°C to +50°C
- Humidity: 5 – 85%, non-condensing
- Class of protection according to IEC 60529: IP20

Certificates / standards:

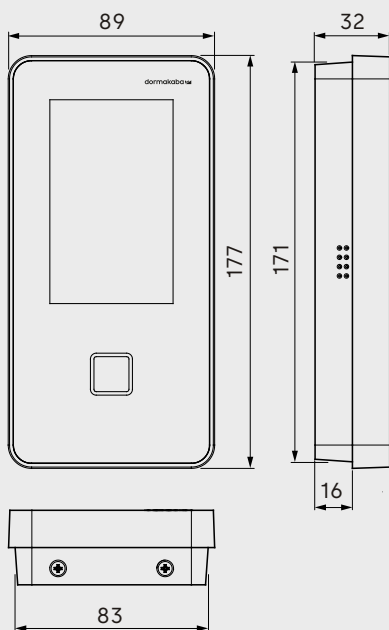
- EN 300 328, EN 301 489-1
- EN 62368-1
- 2014/53/EU, 2014/35/EU and
2011/65/EU

Features

Terminal 96 00

Terminal 96 00

The 9600 terminal from dormakaba offers an integrated solution for access control and enables access data to be configured centrally on a PC using the evolo Manager software. This configured data is then transferred directly to the terminal. Users can conveniently pick up their updated authorisations in the entrance area with their RFID badges when they hold them up. This enables new access rights to be assigned efficiently and quickly via CardLink without needing to spend time reprogramming individual doors.



Terminal 96 00
(data in mm)

Technical data

Terminal 96 00

RFID technologies supported:

- LEGIC CTC (prime/advant)
- LEGIC advant
- MIFARE DESFire

Dimensions / colours:

- 89 x 177 x 32 mm (W x H x D)
- Housing colour: RAL 9005 black
- Frame: RAL 9005 white aluminium

Device software:

- B-Client AC15
- B-Client HR20 + CardLink Update

Interfaces:

- 0/100/1000 Ethernet Interface (IPv4, IPv6)

Power supply:

- PoE (Power over Ethernet) – power supply to the terminal via the 8-wire Ethernet cable (max. 100 m):
 - According to IEEE802.3at
 - PD Type 1
 - Class 0 (0.44-12.95 W)
 - Supported supply methods: Spare pair power supply and phantom power

Environmental conditions:

- Operating temperature: -25°C to +55°C
- Protection class: IP20 (IP65 with optional cable seal)
- Humidity: 5 to 85 %, non-condensing

Certificates / standards:

- EN 62368-1:2014, EN 300 330 V2.1.1, EN 301 489-1 V2.2.0, EN 301 489-3 V2.1.1, EN 62311:2008
- UL62368-1:2014
- CAN/CSA-22.2 no. 62368-1:2014
- FCC Code of Federal Regulations
- FCC Part 15 Class C
- RoHS

Additional technical features on request.
Further details and ordering information can be found in the relevant dormakaba catalogues or system descriptions.

Our Sustainability Commitment

We are committed to foster a sustainable development along our entire value chain in line with our economic, environmental and social responsibilities toward current and future generations. Sustainability at product level is an important, future-oriented approach in the field of construction. In order to give quantified disclosures of a product's environmental impact through its entire life cycle, dormakaba provides Environmental Product Declarations (EPD), based on holistic life cycle assessments.

www.dormakaba.com/sustainability



Our offering

Access Automation Solutions

Entrance Automation
Entrance Security



Access Control Solutions

Electronic Access & Data
Escape and Rescue Systems
Lodging Systems



Access Hardware Solutions

Door Closers
Architectural Hardware
Mechanical Key Systems



Services

Technical Support
Installation and commissioning
Maintenance and Repairs



Version EN, 02/2024.
Subject to technical modifications.
© dormakaba.



dormakaba.com

dormakaba
International Holding AG
Hofwissenstrasse 24
CH-8153 Rümlang
T +41 44 818 90 11
info@dormakaba.com
dormakaba.com