

NOTES:
 SEE TEMPLATE T93829 FOR COMPLETE STRIKE AND DUST BOX TEMPLATES.
 BACKSET: 2-3/4" [70]
 DOOR THICKNESS: 1-3/4" [44] - 4" [101]

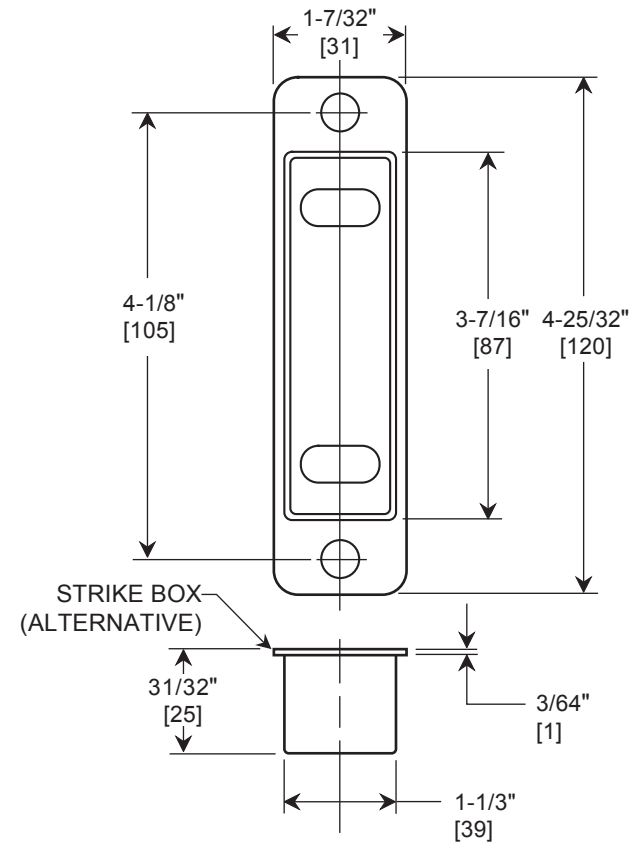
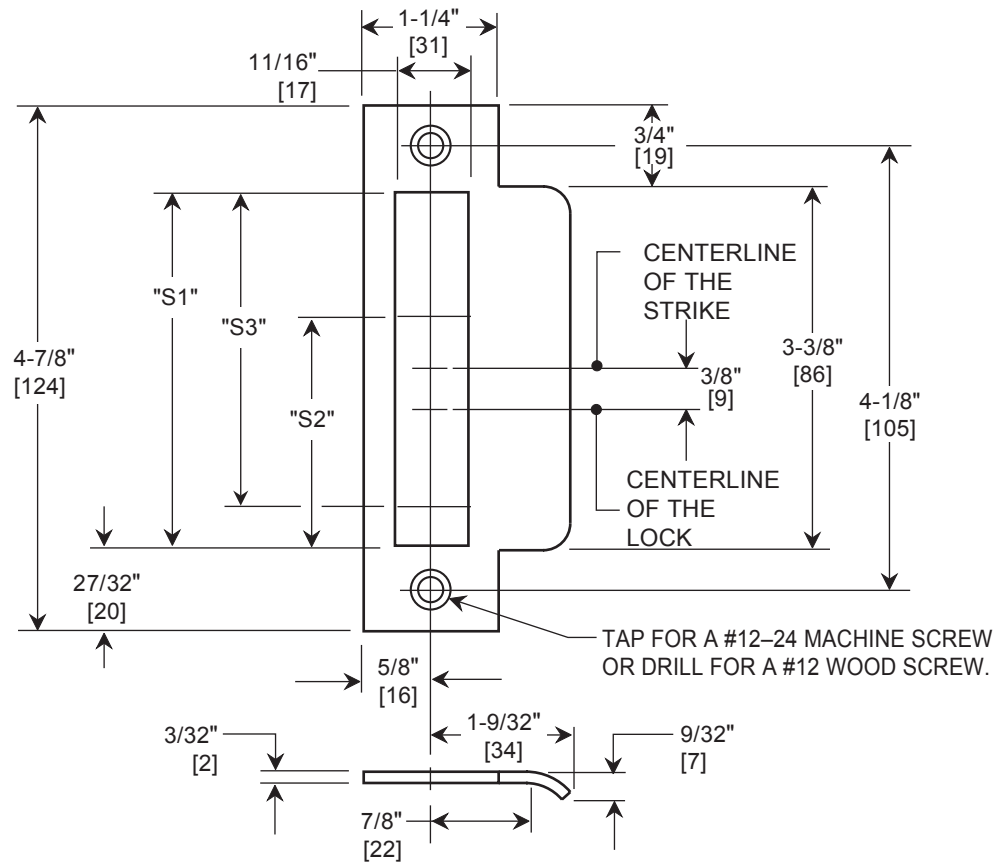
HOLE PATTERN CHART

LOCKSET FUNCTION	INSIDE		OUTSIDE	
	①	②	①	②
CYLINDER A 1-1/4" [32] DIA.	■		■	
TURN KNOB 1/2" [13] DIA.		■		■
CYLINDER A 1-1/4" [32] DIA.	■		■	
INDICATOR 1/2" [13] DIA.		■		■
MD160		■	■	
MD161			■	
MD162	■		■	
MD163	■		■	
MD171		■	■	■
MD181		■		

NOT TO SCALE. MEASUREMENTS ARE FOR REFERENCE ONLY. NOT A DRILLING TEMPLATE.

MD100 MORTISE LOCKS FOR LOCKSET FUNCTIONS
 MD160, MD161, MD162, MD163, MD171, MD181





NOT TO SCALE. MEASUREMENTS ARE FOR REFERENCE ONLY. NOT A DRILLING TEMPLATE.

MD100 MORTISE LOCKS FOR LOCKSET FUNCTIONS
 MD160, MD161, MD162, MD163, MD171, MD181

dormakaba