

GENERAL NOTES

CONTRACTOR SHOULD CHECK & TAKE NOTE OF ALL DIMENSIONS AS C.D.C. (CRANE DOOR CO.) ASSUMES NO RESPONSIBILITY BEYOND MANUFACTURING IN ACCORDANCE WITH THE DIMENSIONS SHOWN ON SHOP DRAWINGS.

APPROVAL INDICATES THAT THIS SHOP DRAWING HAS BEEN CHECKED AND THAT YOU AUTHORIZE US TO FABRICATE MATERIALS AS SHOWN HERE-IN.

REVOLVING DOOR PERIMETER CAULKING (INCLUDING BASE SECTION TO FLOOR) AND CANOPY COVER CAULKING NOT BY C.D.C. ALL HOLES IN FLOOR NOT BY C.D.C.

MATERIAL TO BE:
.064 MIN. THICKNESS BRONZE SHEET 280 MUNTZ METAL.
.125 MIN. THICKNESS BRONZE EXTRUSION CDA 385 ALLOY. (UNLESS OTHERWISE SPECIFIED)

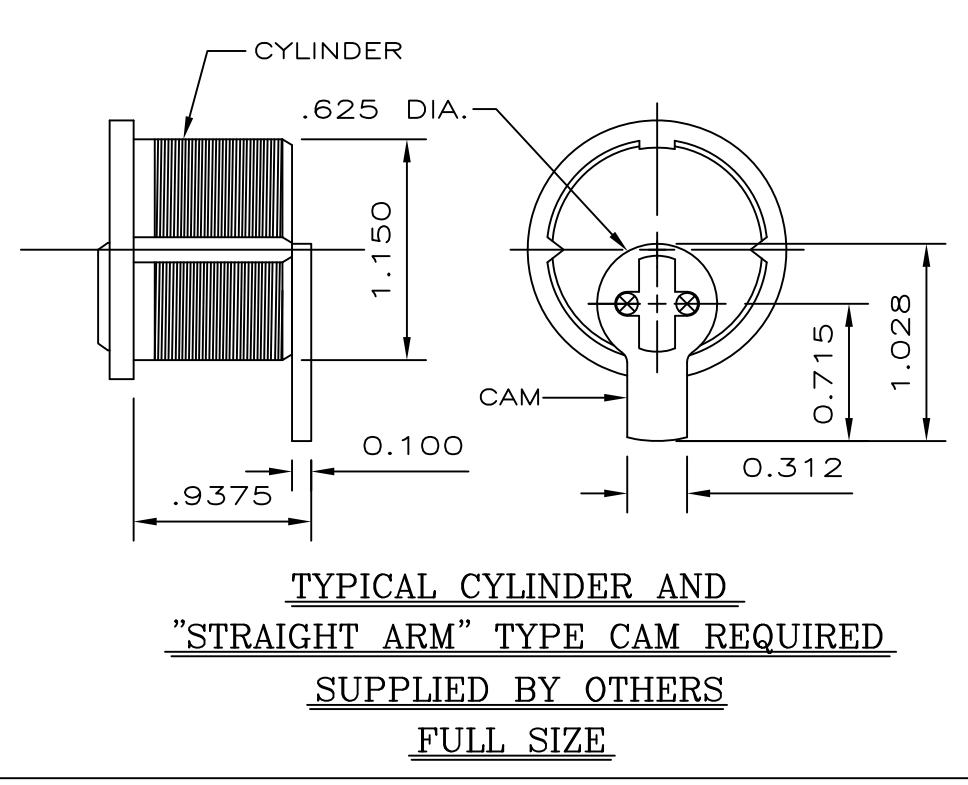
FINISH TO BE:
SATIN AND LACQUERED

GLASS TO BE: CLEAR
1/2" TEMPERED FLOAT FOR WINGS (FACTORY GLAZED)
9/16" BENT LAMINATED FLOAT FOR ENCLOSURE
13/16" LAMINATED FLOAT FOR CEILING
GLASS TO MEET ANSI Z97.1 AND 16 CFR 1201.
ALL TEMPERED GLASS TO HAVE SAFETY LOGOS.
IF ADDITIONAL LOGOS ARE REQUIRED PLEASE SPECIFY.

CONTRACTOR NOTE:
CONTRACTOR TO PROVIDE A 25 1/2" x 3 13/16" DEEP CUTOUT TO ACCEPT SPEED CONTROL UNIT AND FLOOR RING.

HARDWARE SCHEDULE

- FLOOR MOUNTED MANUAL SPEED CONTROL UNIT.
 - OVERHEAD MOUNTED PIVOT BEARING.
 - FULVIEW II PANIC PROOF BOOK-FOLD MECHANISM IN COMPLIANCE WITH ALL APPLICABLE REGULATIONS.
 - LOCKS: CONCEALED REV. DOOR TYPE TWO (2) REQUIRED INSTALLED AT BOTTOM RAILS OF TWO ADJACENT WINGS FOR INTERIOR LOCKING.
 - CYLINDERS: STANDARD SIZE MORTISE TYPE, TWO (2) REQUIRED PER REV. DOOR UNIT, TO BE SUPPLIED BY OTHERS TO C.D.C. FOR SHOP INSTALLATION.
 - PUSH BARS: 1" DIA. BRONZE, FINISH TO MATCH DOOR.
- INSTALLER NOTE:**
BOOK-FOLD TENSION IS NOT PRESET; IT MUST BE ADJUSTED TO MEET BUILDING CONDITIONS.



NOTE: PRIOR TO FABRICATION, SHOP DRAWINGS AND FINISH SAMPLES MUST BE FULLY APPROVED AND RETURNED TO C.D.C.

CRANE DOOR
REVOLVING DOORS™

PHONE: 847-295-2700 FAX: 847-295-5288

SCALE: AS SHOWN JOB NAME: XXX

DRAWN BY: JG REVISIONS:

LOCATION:	PLEASE ADVISE
ARCHITECT:	PLEASE ADVISE
CONTRACTOR:	PLEASE ADVISE
SUB. CONTRACTOR:	PLEASE ADVISE
MFG. REPRESENTATIVE:	PLEASE ADVISE

FAB. CHECK: HOW. CHECK: NOTES: X

ORD. NO.: DATE: 2009 SHEET 1 OF 1 DRAWING NO.: BZ 4000 J