



ED 100, ED 250 PROFESSIONAL

Mounting instructions

WN 058178 45532/13872 – 2019-07

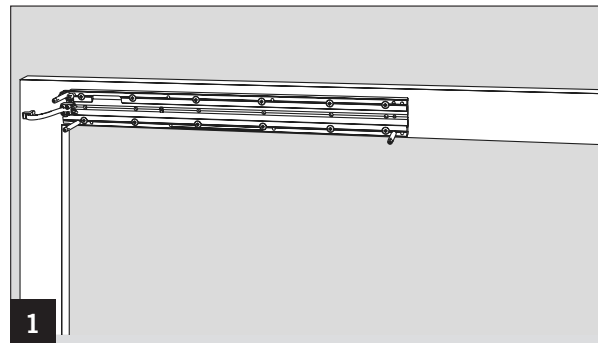
EN

dormakaba 

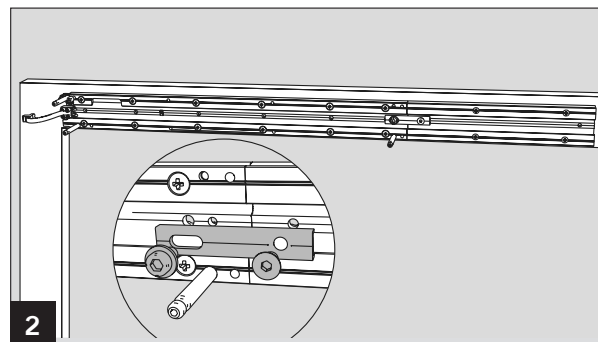
ED 100, ED 250

Extended Cover for single-leaf door systems PROFESSIONAL

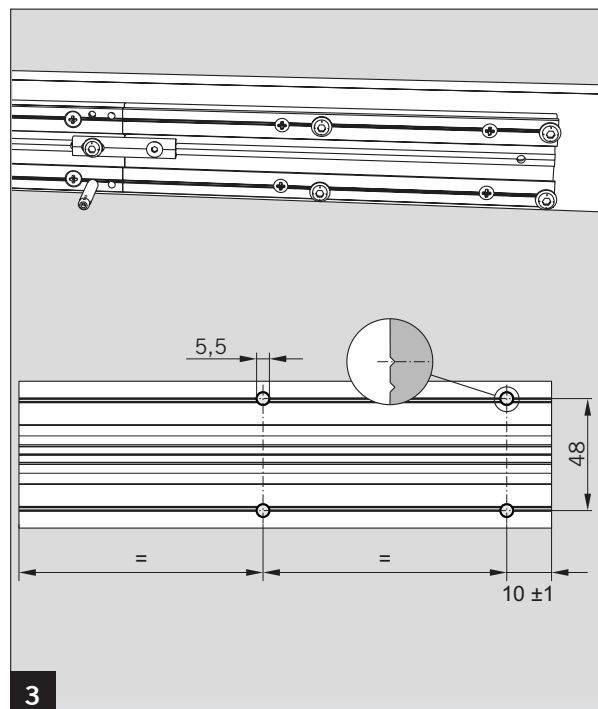
Mount the mounting plate as described in the mounting instructions 058175-45532 for the ED 100/250.



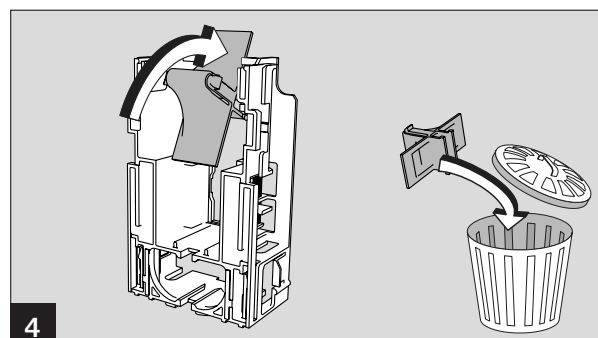
Hold the mounting plate extension so that it meets the mounting plate and connect both parts with the aid of the enclosed connector and two screws. Use at least two screws to fix the mounting plate extension at the lintel.



Drill two holes with a diameter of 5.5 mm into each of the outer grooves of the mounting plate extension. Slightly screw in a thread-cutting screw (with cheese-head) into each of the four drill holes (a few turns will suffice).



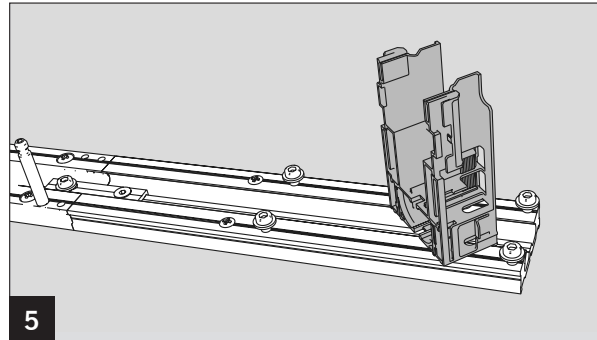
Break out the plastic part located in the middle of the bracket by turning it upwards and dispose of it.



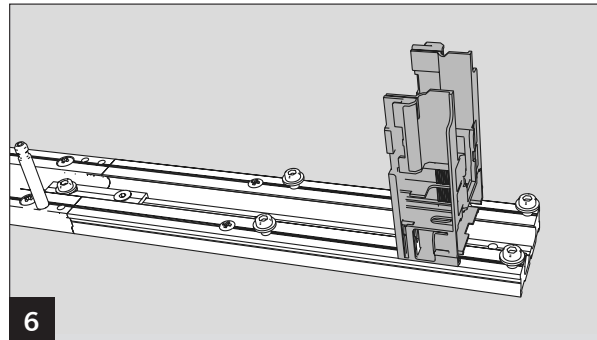
ED 100, ED 250

Extended Cover for single-leaf door systems PROFESSIONAL

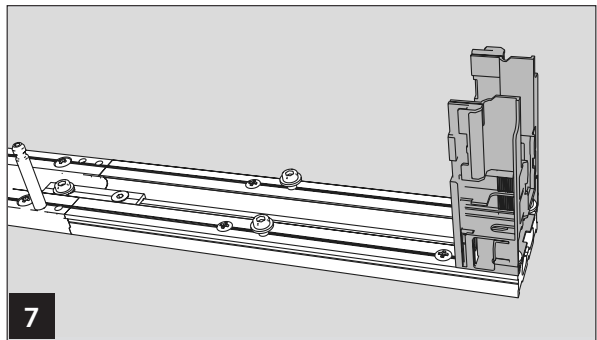
Turn the bracket by 45° and attach it to the extended mounting plate.



Realign the bracket as indicated in picture 6.



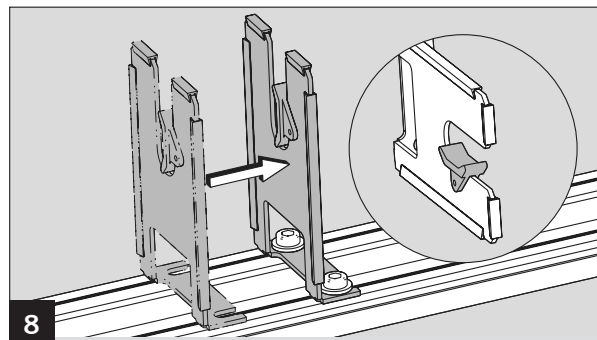
Move the bracket below the screw heads and screw down tight.



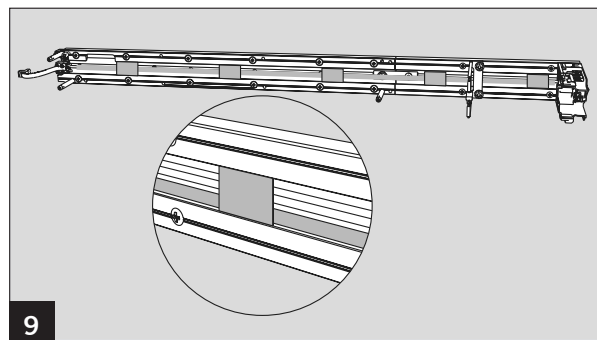
Slightly screw in the two thread-cutting screws for the bracket in the middle (a few turns will suffice).

Then move the bracket under the screw heads and screw down tight.

Install the bracket so that the plastic guide is located at the bottom.



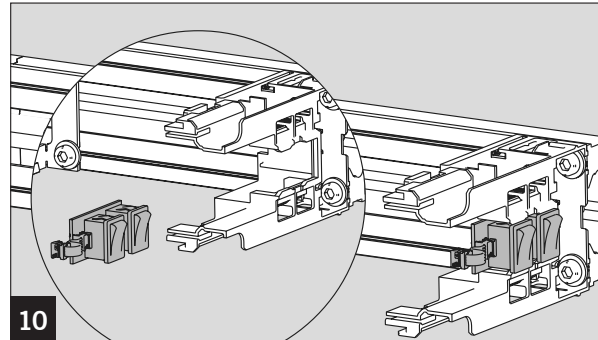
Lay the program switch cable in the groove and fix with clamping plates.



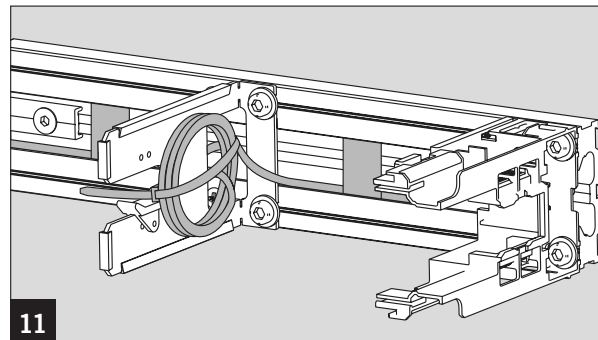
ED 100, ED 250

Extended Cover for single-leaf door systems PROFESSIONAL

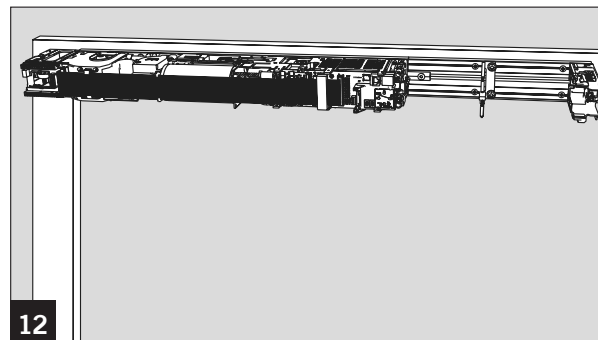
Fix the program switch inside the bracket and connect it.



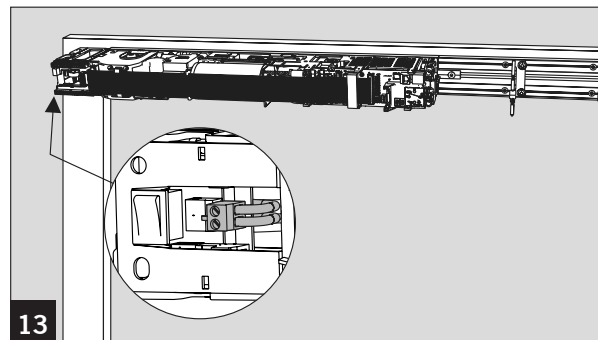
Wind up the remaining cables and fix them with cable ties to the centre bracket.



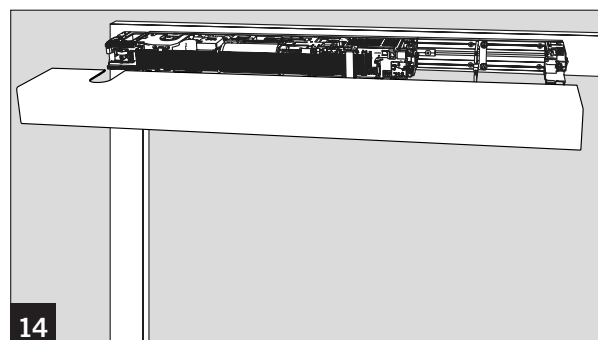
Mount the operator as described in mounting instructions 058175-45532 for ED 100/250.



Connect the program switch.



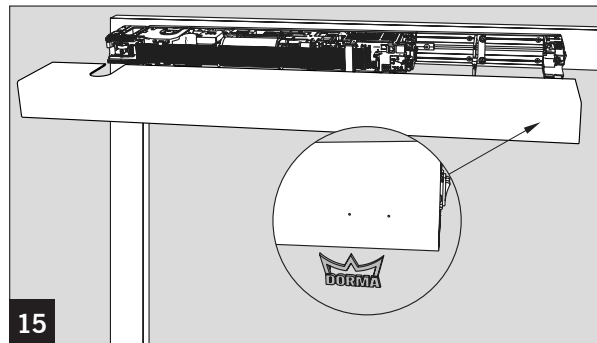
Fix the cover.



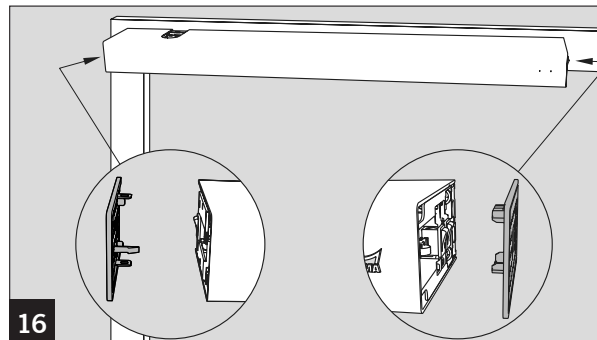
ED 100, ED 250

Extended Cover for single-leaf door systems PROFESSIONAL

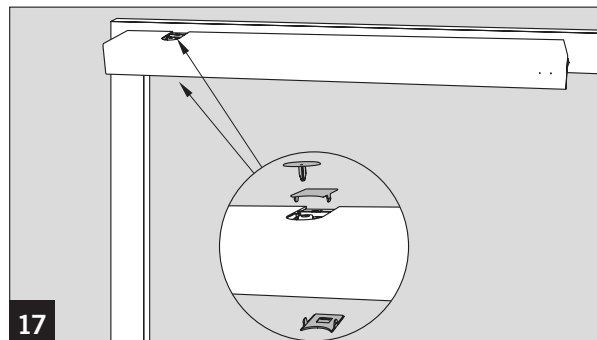
Fix DORMA crown.



Fix the perforated lateral cover.



Fix axle cover.



ED 100, ED 250

Extended Cover for single-leaf door systems PROFESSIONAL

ED 100, ED 250

Extended Cover for single-leaf door systems PROFESSIONAL

Translation of the original document, subject to change without notice

www.dormakaba.com

dormakaba Deutschland GmbH
DORMA Platz 1
58256 Ennepetal
Deutschland
T: +49 2333 793-0
F: +49 2333 793-4950