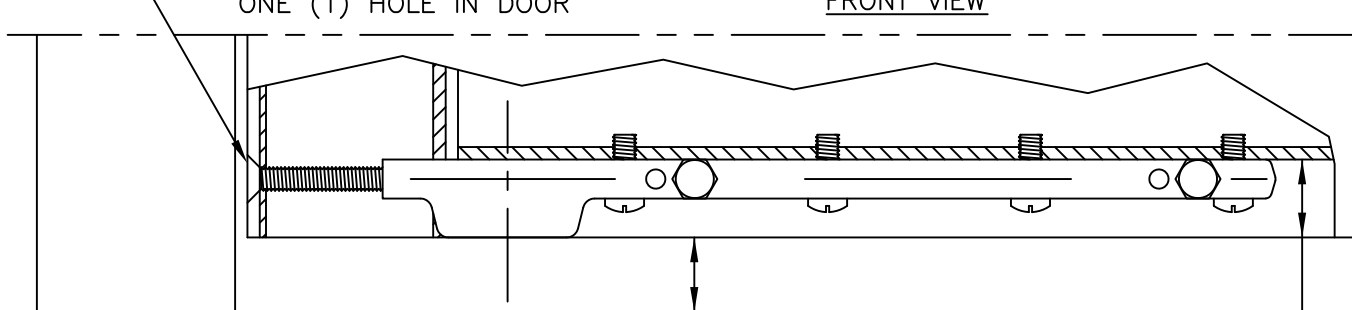


NOTES

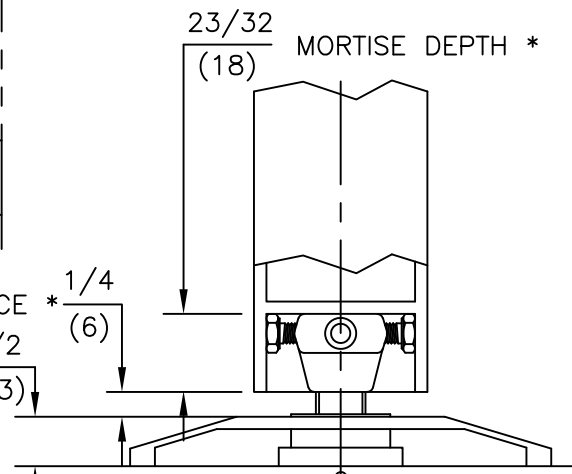
1. DO NOT SCALE DRAWING.
2. DIMENSIONS ARE IN INCHES/(MM).
3. ALL NECESSARY REINFORCEMENT FOR ARM BY OTHERS.

No.10 DRILL - CSK. 90° X 1/2" DIA.
 ONE (1) HOLE IN DOOR

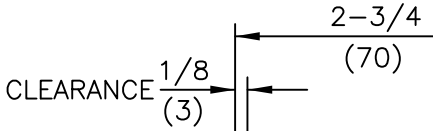
FRONT VIEW



THRESHOLD



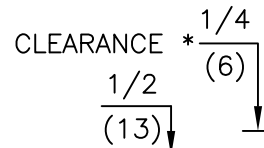
FINISHED FLOOR



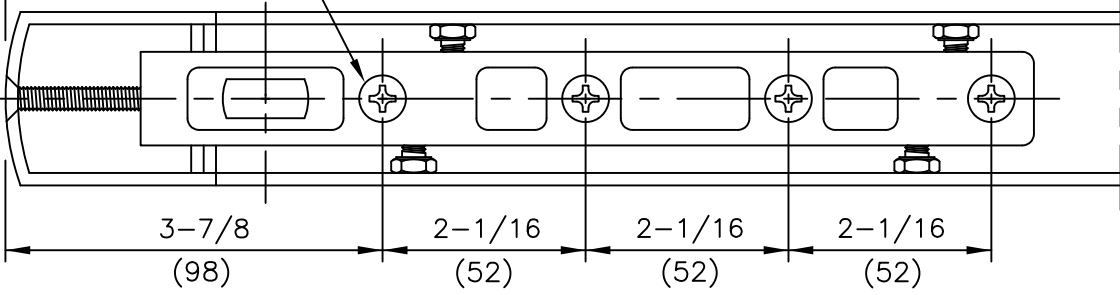
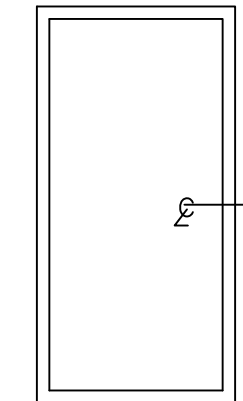
OF PIVOT

CLEARANCE *

MORTISE DEPTH *



FOR 1/4-20 MACHINE SCREWS USE No.7 DRILL
 FOUR (4) HOLES IN DOOR



BOTTOM VIEW

SPINDLE EXT.	CLEARANCE *	MORTISE DEPTH *
STD.	3/4"	23/32"
5mm	15/16"	23/32"
7.5mm	1"	23/32"
10mm	1-1/8"	23/32"
15mm	1-5/16"	23/32"
20mm	1-1/2"	23/32"
25mm	1-11/16"	23/32"
30mm	1-15/16"	23/32"
35mm	2-1/8"	23/32"
40mm	2-5/16"	23/32"
45mm	2-1/2"	23/32"
50mm	2-11/16"	23/32"

ITEM No. 7422
 CENTER HUNG BOTTOM ARM
 ALUMINUM DOOR
 FOR USE WITH 7471K FLOOR BEARING



dormakaba USA, INC.
 800 523 8483