

DORMA Automatics, Inc  
 924 Sherwood Drive 60044  
 Lake Bluff, Illinois  
 Toll Free: (877)-367-6211  
 Fax: (877)-423-7999

THE STANDARD PACKAGE CONSISTS OF:  
 THE AUTOMATIC DOOR OPERATOR & HOUSING,  
 FRAMES, DOORS, SIDELITES WITH VERTICAL  
 AND HORIZONTAL WEATHERSTRIP, 2-POINT  
 LOCKING, CONCEALED CONTROL PANEL COFF,  
 AUTO, HOLD-OPEN, REDUCED OPENING, EXIT  
 ONLY ACTIVATION)

STANDARD FINISHES: CLEAR BHMA 204  
 DARK BRONZE BHMA 313  
 SPECIAL FINISHES ARE AVAILABLE

DRAWING DIMENSIONS ARE IN ENGLISH AND  
 METRIC UNITS. METRICS ARE SHOWN IN  
 MILLIMETERS, AS FOLLOWS: 1' (254)

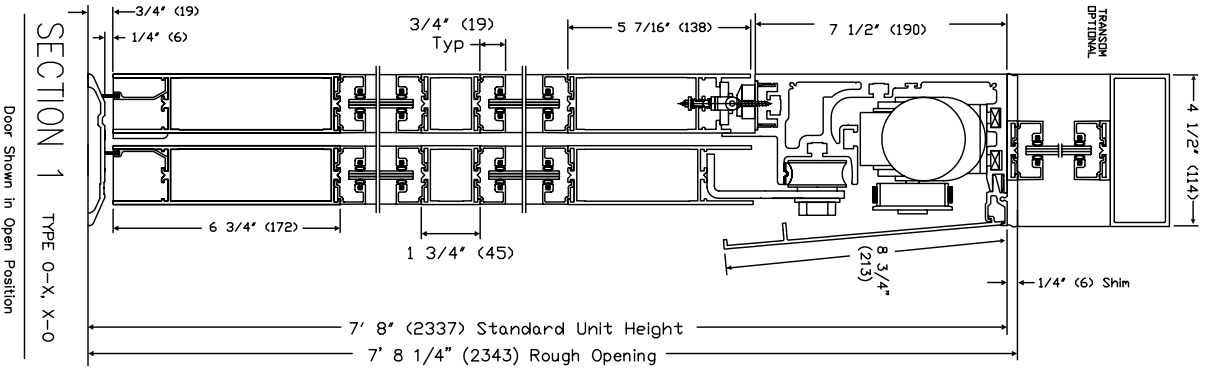
FOR MAXIMUM CURRENT DRAW, SEE  
 PRODUCT SPECIFICATION OR  
 INSTALLATION INSTRUCTIONS.

REFER TO APPLICABLE LOCAL, STATE OR  
 NATIONAL BUILDING CODE FOR MINIMUM DOOR  
 HEIGHTS AND WIDTHS FOR ALLOWABLE EGRESS  
 REQUIREMENTS. SEE REFERENCE TABLE BELOW.

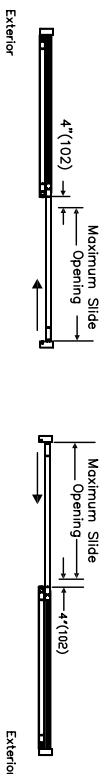
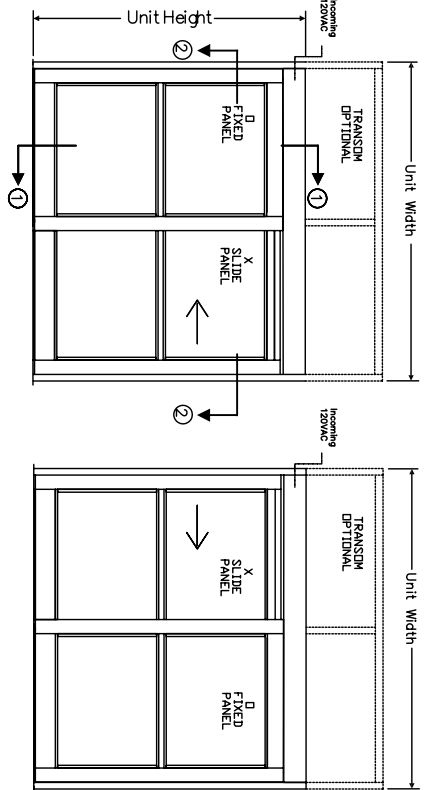
STANDARD PACKAGE SIZES

| STANDARD UNIT SIZE | MAXIMUM SLIDE OPENING | ROUGH OPENING WIDTH | ROUGH OPENING HEIGHT |
|--------------------|-----------------------|---------------------|----------------------|
| 7'-0" (2134)       | 35" (889)             | 7'-1 1/2" (2146)    | 7'-8 1/4" (2343)     |
| 8'-0" (2438)       | 41" (1041)            | 8'-1 1/2" (2451)    | 7'-8 1/4" (2343)     |
| 8'-6" (2591)       | 44" (1118)            | 8'-6 1/2" (2604)    | 7'-8 1/4" (2343)     |
| 9'-0" (2743)       | 47" (1194)            | 9'-1 1/2" (2756)    | 7'-8 1/4" (2343)     |

Note: Dimensions in ( ) are mm

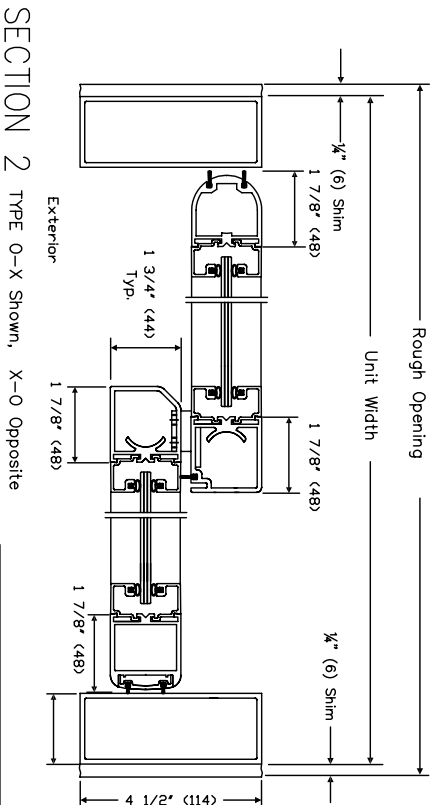


SECTION 1 TYPE O-X, X-O  
 Door Shown in Open Position



ELEVATION/PLAN

TYPE O-X and X-O



SECTION 2 TYPE O-X Shown, X-O Opposite

**AUTOMATIC SLIDING DOOR**  
 ESA-100 SERIES  
 TYPE O-X, X-O  
 Narrow Sile  
 3/06