



Revolving doors
Varioline

DORMA

KTV-3

KTV-4

KTV-ATRIUM

Revolving doors that combine elegance and functionality:

The main entrance gives a clear statement of your company's image. It is extremely important that it conveys a positive first impression, as well as allows a smooth flow of traffic. The KTV series of DORMA revolving doors combine these two characteristics perfectly. DORMA KTV revolving doors also hold back noise, dust and dirt, reliably protect employees in the vicinity of the entrances from draughts, and help to keep heating costs down. DORMA KTV doors are exceptionally versatile. Any inside diameter of door can be supplied from 2000 – 3400 mm. Plus, standard fixed diameters of 3600 mm and 3800 mm are

also available. Depending on the diameter, clear passage heights of up to 3000 mm can be achieved. KTV series revolving doors can optionally be fitted with

- 3- or 4-wing design
- glazed drum walls or with metal panelling
- additional curved sliding doors in front of the entrance to act as night shields (optional)
- for manual operation (KTV/M),
- with positioning automatic (KTV/P)
- with servomatic (KTV/S)
- for Automatic operation (KTV/A)
- accessories that ensure compliance with the requirements of DIN 18650

Benefits

... for the installer

- Flexible system to suit all requirements.
- Easy installation and rapid commissioning.
- Guaranteed state-of-the-art design and compliance with all regulations.

... for the architect/specifier

- Extensive design flexibility in terms of planning and technical requirements.
- Visually, technically and economically the ideal application.

... for the user

- Enhanced working conditions.
- Optimisation of the building energy balance.
- Efficient noise protection.
- Tailored integrated application combining industrial engineering precision and assured quality.

Traffic capacity 3-/4-wing design

Internal diameter (D) in mm	Theoretical capacity ¹⁾ Persons/hour →	Practical capacity ²⁾ → Persons/hour ↔	Maximum capacity ³⁾ Persons/min. →
2000	1440	480 960	24
2400	1800	600 1200	30
2700	2400	800 1600	40
3000	3240	1080 2160	54
3600	3060	1230 2670	69

¹⁾ The theoretical capacity value indicates how many people can pass through the revolving door in one (→) direction per hour, assuming that the traffic flow is uniform and the internal segments are constantly occupied.

²⁾ The practical capacity values indicate how many people can actually pass through the revolving door in one direction (→) and in both (↔) directions.

³⁾ The maximum capacity value indicates how many people can pass through the revolving door in one direction (→) per minute when, for a certain limited period, there is a constant stream of traffic, for example in the morning and evening.



DIN 18650

Data and features		DORMA KTV
Internal diameter	3-/4-wing design	2000–3800 mm, all dimensions possible between
External diameter	3-/4-wing design	Internal diameter + max. 96 mm without night shield
Clear passage height	3-/4-wing design	2100–4000 mm*
Canopy height	3-/4-wing design	17,5–700 mm*
Total height	3-/4-wing design	Clear passage height + canopy height

* See Table Page 14/15

Characteristics of KTV-series			
Detail	KTV with metal ceiling and canopy	KTV with glass ceiling	KTV Atrium full-glass system
Drum wall, framed glass	○	○	–
Drum wall, metal panelling	○	○	–
Full-glass drum wall without frame	–	–	○
For emergency exits and escape routes	○	3200 – 3800mm	–
Wings with push handles (version M/P/S)	○	○	○
Wings with push handles (version A)	–	–	–
Manual night shield, internal	○	–	–
Manual night shield, external	○	○	○
Electrical night shield, internal	○	–	–
Mechanical wing locking device	○	○	○
Mechanical locking device at night shield	○	○	○
Electrical wing locking device	○	–	–
Electrical locking device, electrical night shield	○ (internal)	–	–
Positioning automatic (P), canopy-integrated operator	○	–	–
Positioning automatic (P), under floor operator	○	○	○
Servomatic (S), canopy-integrated operator	○	–	–
Servomatic (S), under floor operator	○	○	○
Automatic (A), canopy-integrated operator	○	–	–
Automatic (A), under floor operator	○	○	–
Framed turnstile, rigid	○	○	–
Framed turnstile Bookfold (suitable for application in emergency exits and escape routes)	○	3200 – 3800	–
Framed turnstile, 1-wing, hinged (transport opening)	○	○	–
Turnstile with fine-frame profile, rigid	○	○	○
Wing with center midrails	○	○	–
Drum wall with center midrails	○	○	–
Floor ring	○	○	○
Floor finish	○	○	○
Ceiling-integrated downlights	○	–	–
Prepared for rainproof ceiling	○	–	–
Rainproof ceiling	○	○	–
Anti-vandalism brake	○	○	–
Speed limiter	○	○	○
Manufactured according to DIN 18650	○	○	○

○ = available as an option – = not available

Designs, functions, standard equipment, optional extras

Models	KTV-3	KTV-4	KTV ATRIUM-3	KTV ATRIUM-4	
Operator types					
Functions, optional manual operation/M					
Automatic	<p data-bbox="188 752 571 786">Positioning Automatic /P</p> <p data-bbox="188 786 571 864">The door has to be operated manually and automatically rotates to its starting position following every activation.</p> <p data-bbox="188 864 571 898">Servomatic /S</p> <p data-bbox="188 898 571 976">The door is activated by radar motion detector and operated manually while the rotation is power-assisted.</p> <p data-bbox="188 976 571 1032">The positioning automatic is also included in this version.</p> <p data-bbox="188 1032 571 1066">Automatic /A</p> <p data-bbox="188 1066 571 1099">I: Door starts and stops automatically</p> <p data-bbox="188 1099 571 1178">II: Door rotates continuously at low speed with the speed increasing as a user approaches.</p>				
Configurations					
Transport opening	Emergency escape configuration with breakout fittings (optional)				
Options	Locking device (optional extra)				
Night shields, internal (optional extra)	Night shields, external (optional extra)				



Dimensions of KTV-3 with metal ceiling and canopy cover for internal diameters (D) of up to 3,800 mm

3-wing design (without night shield)

Internal diameter (D)	2000	2200	2400	2600	2800	3000	3200	3400	3600	3800
External diameter (B)	2096	2296	2496	2696	2896	3096	3296	3496	3696	3896
Clear passage width (LW)	940	1040	1140	1240	1340	1440	1540	1640	1740	1840
Escape route width	895	995	1095	1195	1295	1395	1495	1595	1695	1795

3-wing design (with single-piece external night shield)

Internal diameter (D)	2000	2200	2400	2600	2800	3000	3200	3400	3600	3800
External diameter (B)	2262	2462	2662	2862	3062	3262	3462	3662	3862	4062
Clear passage width (LW)	940	1040	1140	1240	1340	1440	1540	1640	1740	1840
Escape route width	895	995	1095	1195	1295	1395	1495	1595	1695	1795

3-wing design (with single-piece internal night shield)

Internal diameter (D)	2000	2200	2400	2600	2800	3000	3200	3400	3600	3800
External diameter (B)	2216	2416	2616	2816	3016	3216	3416	3616	3816	4016
Clear passage width (LW)	940	1040	1140	1240	1340	1440	1540	1640	1740	1840
Escape route width	895	995	1095	1195	1295	1395	1495	1595	1695	1795

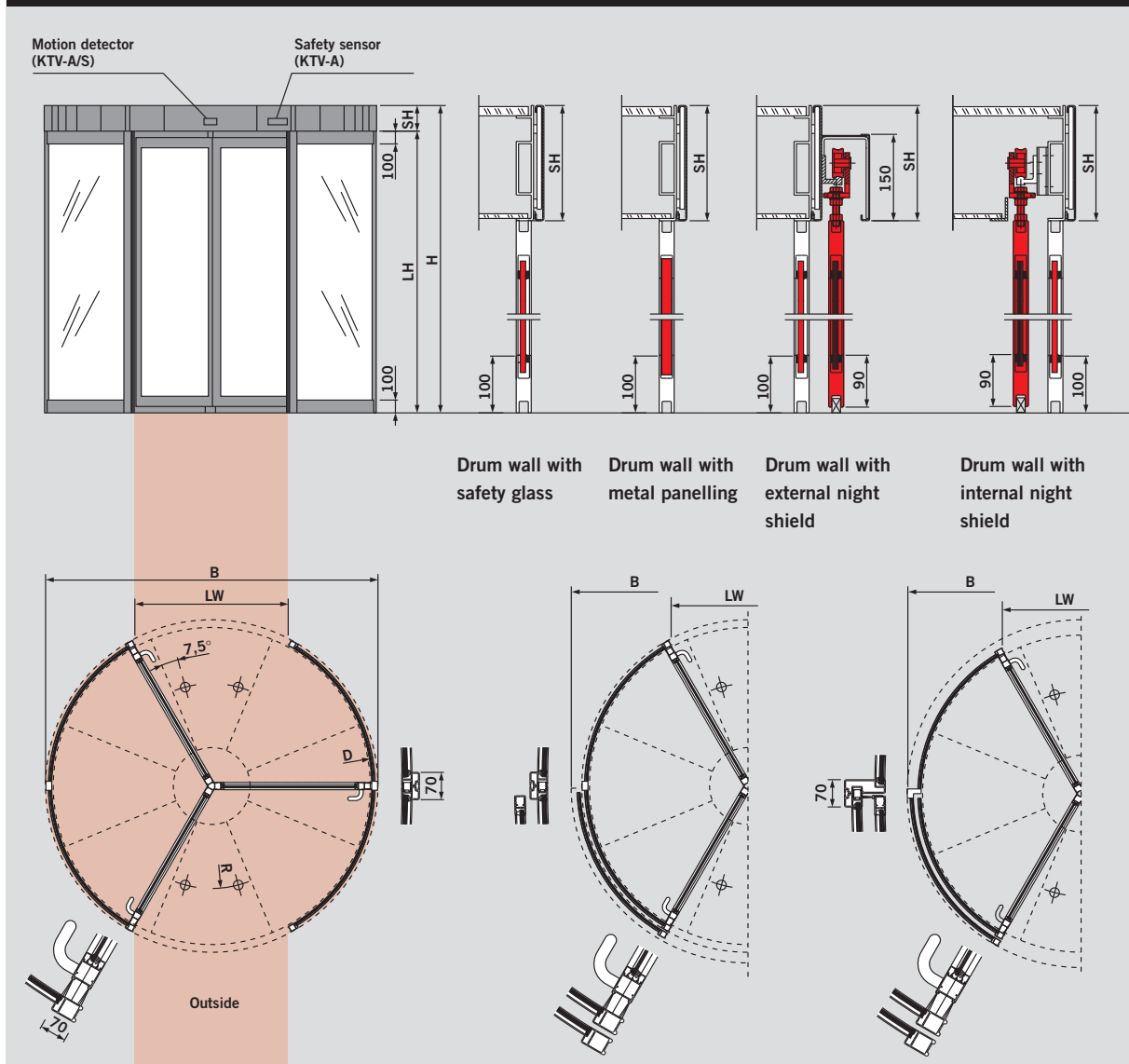
All dimensions in mm.

KTV/M/P/S/A

Rigid wings or pivot-mounted wings. Drum wall options:

- Curved aluminium special profiles, posts 70 x 46 mm, base section height (at top and bottom): 100 mm, safety glazing: 8.7 mm laminated safety glass or 8 mm toughened safety glass, uncoloured. Laminated safety glass is pendulum body impact resistant according to class A 1 of DIN 52290 (German Industrial Standard).
- Curved aluminium special profiles, posts 70 x 46 mm, base section 100 mm high top and bottom with metal panelling, 18 mm thick.

KTV/M/P/S/A



KTV/M/P/S/A

- 3-/4-wing design also with internal or external night shield and safety glass 8.7 mm laminated safety glass or 8 mm toughened safety glass, uncoloured. Also available with 18 mm metal panelling as an option. Laminated safety glass is pendulum body impact resistant according to class A 1 of DIN 52290 (German Industrial Standard).

Dimensions of KTV-3 with metal ceiling and canopy cover for internal diameters (D) of up to 3,800 mm

4-wing design (without night shield)

Internal diameter (D)	2000	2200	2400	2600	2800	3000	3200	3400	3600	3800
External diameter (B)	2096	2296	2496	2696	2896	3096	3296	3496	3696	3896
Clear passage width (LW)	1364	1505	1647	1788	1930	2071	2213	2354	2496	2637
Escape route width	895	995	1095	1195	1295	1395	1495	1595	1695	1795

4-wing design (with double-leaf external night shield)

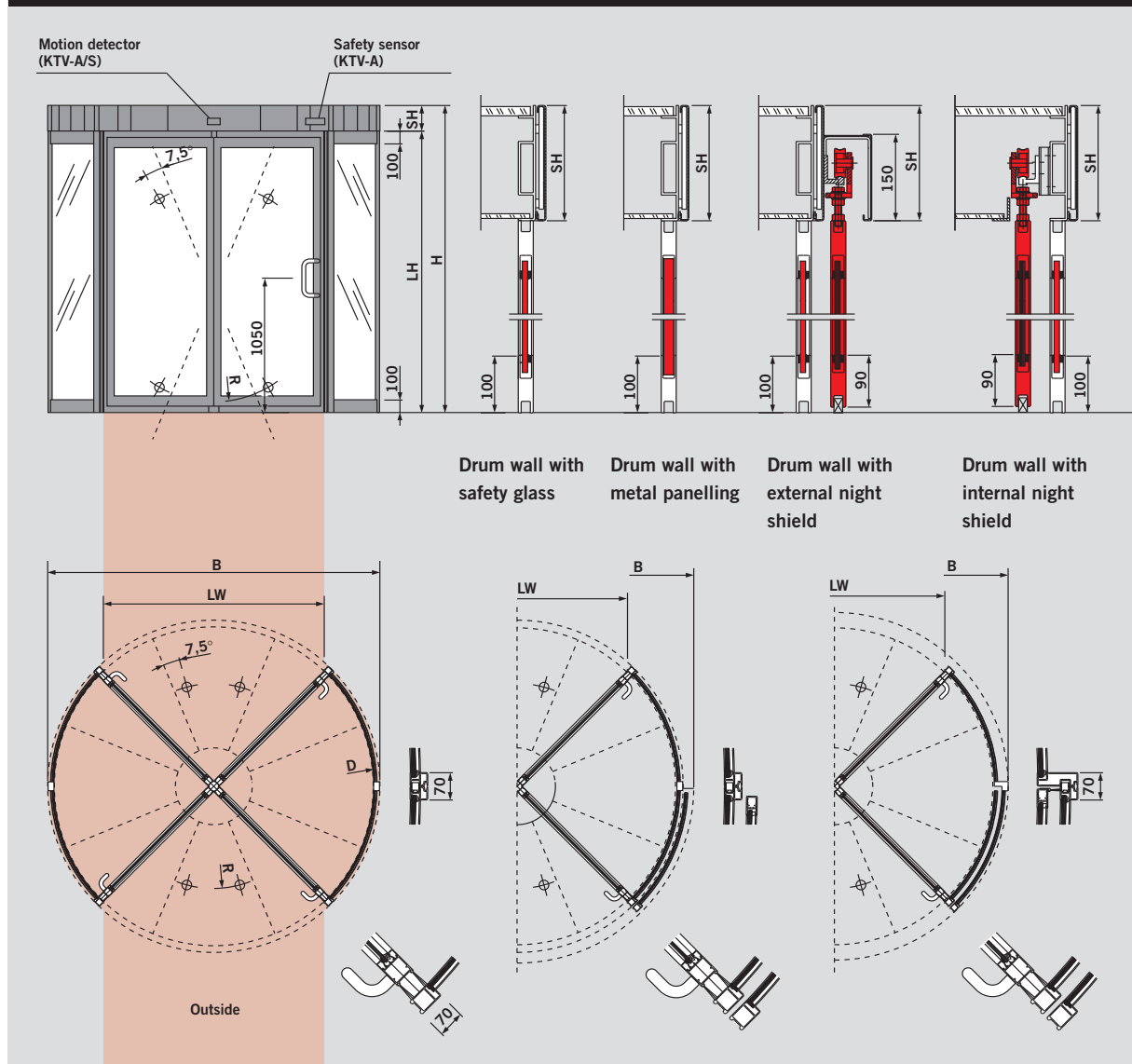
Internal diameter (D)	2000	2200	2400	2600	2800	3000	3200	3400	3600	3800
External diameter (B)	2262	2462	2662	2862	3062	3262	3462	3662	3862	4062
Clear passage width (LW)	1364	1505	1647	1788	1930	2071	2213	2354	2496	2637
Escape route width	895	995	1095	1195	1295	1395	1495	1595	1695	1795

4-wing design (with double-leaf internal night shield)

Internal diameter (D)	2000	2200	2400	2600	2800	3000	3200	3400	3600	3800
External diameter (B)	2216	2416	2616	2816	3016	3216	3416	3616	3816	4016
Clear passage width (LW)	1364	1505	1647	1788	1930	2071	2213	2354	2496	2637
Escape route width	895	995	1095	1195	1295	1395	1495	1595	1695	1795

All dimensions in mm.

KTV/M/P/S/A



Dimensions of KTV-3 with glass ceiling for internal diameters (D) of up to 3,000 mm

3-wing design (without night shield)

Internal diameter (D)	2000	2200	2400	2600	2800	3000
External diameter (B)	2092	2292	2492	2692	2892	3092
Clear passage width (LW)	940	1040	1140	1240	1340	1440

3-wing design (with double-leaf external night shield)

Internal diameter (D)	2000	2200	2400	2600	2800	3000
External diameter (B)	2092	2292	2492	2692	2892	3092
Clear passage width (LW)	940	1040	1140	1240	1340	1440

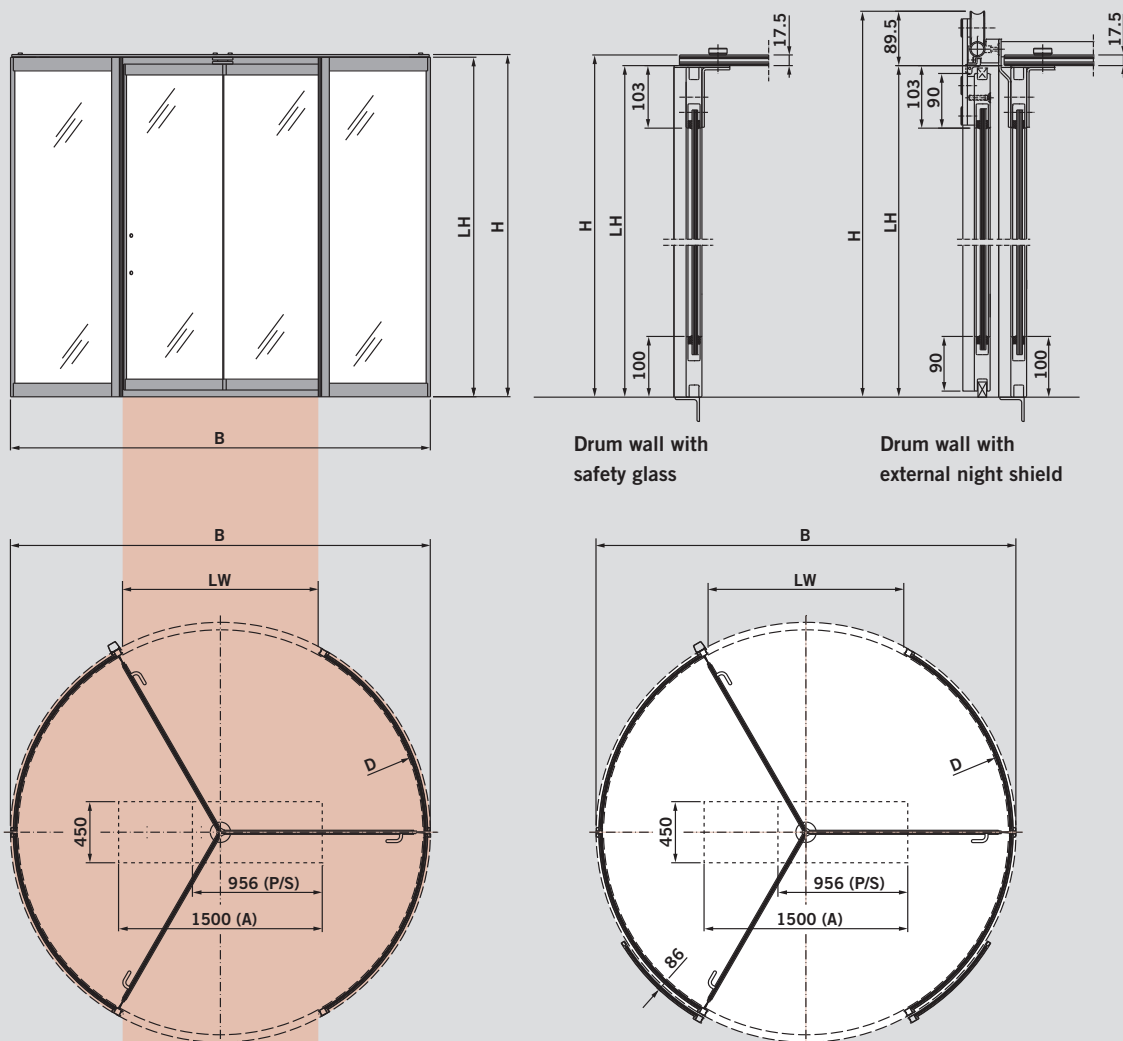
All dimensions in mm

KTV/M/P/S/A

Rigid wings, drum walls optionally made of

- Curved aluminium special profiles, posts 70 x 46 mm, base section height (at top and bottom): 100 mm and safety glazing: 8.7 mm laminated safety glass or 8 mm toughened safety glass, uncoloured. Laminated safety glass is pendulum body impact resistant according to class A 1 of DIN 52290 (German Industrial Standard).
- Curved aluminium special profiles, posts 70 x 46 mm, base section 100 mm high top and bottom with metal panelling, 18 mm thick.

KTV-3 with glass ceiling M/P/S/A



KTV/M/P/S/A

- 3-/4-wing design also with internal or external night shield made of safety glass 8.7 mm laminated safety glass or 8 mm toughened safety glass, uncoloured. Laminated safety glass is pendulum body impact resistant according to class A 1 of DIN 52290 (German Industrial Standard).

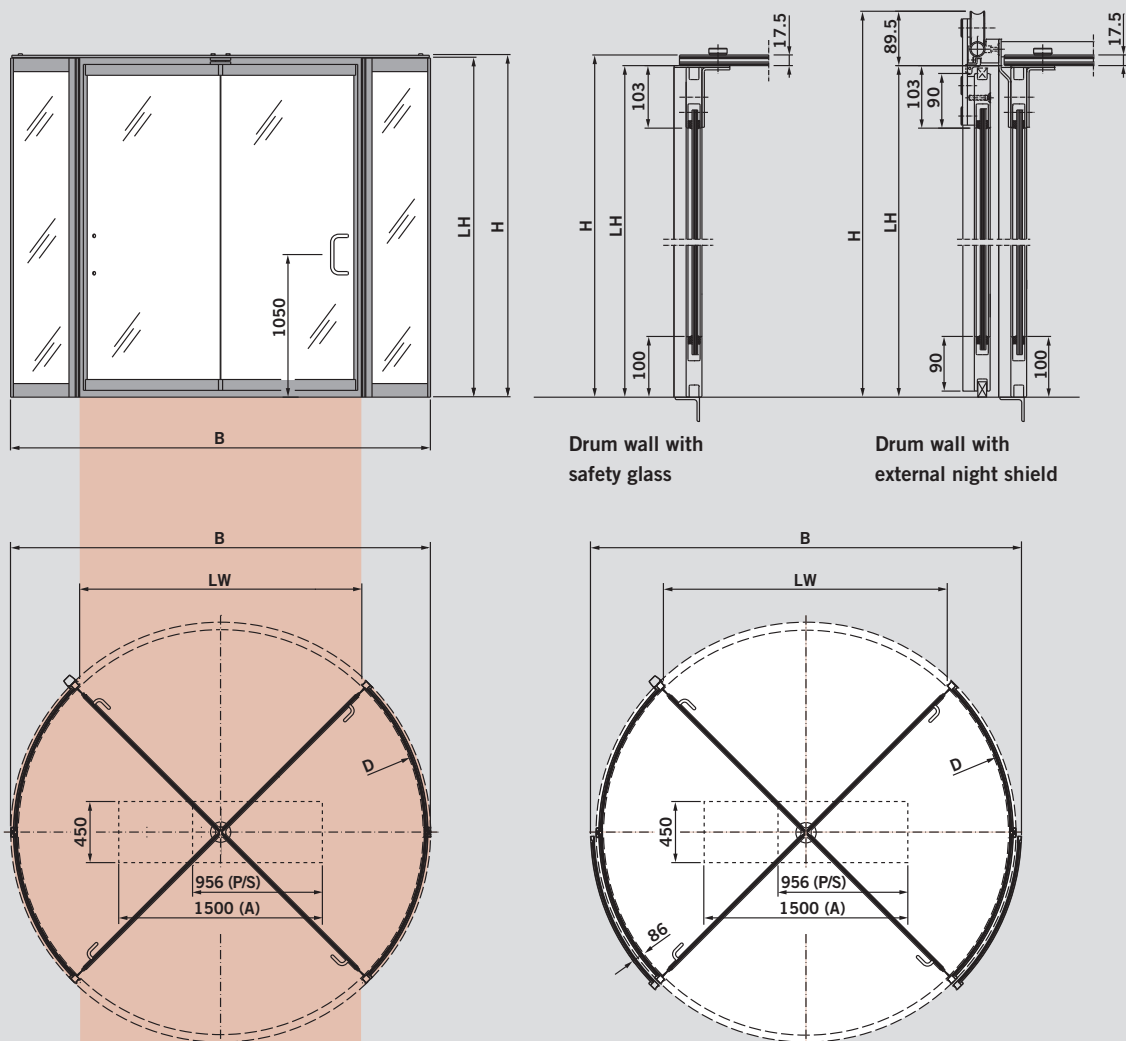
Dimensions of KTV-4 with glass ceiling for internal diameters (D) of up to 3,000 mm
4-wing design (without night shield)

Internal diameter (D)	2000	2200	2400	2600	2800	3000
External diameter (B)	2092	2292	2492	2692	2892	3092
Clear passage width (LW)	1364	1505	1647	1788	1930	2071

4-wing design (with double-leaf external night shield)

Internal diameter (D)	2000	2200	2400	2600	2800	3000
External diameter (B)	2188	2388	2588	2788	2988	3188
Clear passage width (LW)	1364	1505	1647	1788	1930	2071

All dimensions in mm

KTV-4 with glass ceiling M/P/S/A


Dimensions of KTV-3 with glass ceiling for internal diameters (D) of or beyond 3,200 mm

3-wing design (without night shield)

Internal diameter (D)	3200	3400	3600	3800
External diameter (B)	3292	3492	3692	3892
Clear passage width (LW)	1540	1640	1740	1840
Escape route width	1495	1595	1695	1795

3-wing design (with double-leaf external night shield)

Internal diameter (D)	3200	3400	3600	3800
External diameter (B1) without cover for door suspension	3388	3588	3788	3988
External diameter (B2) with cover for door suspension	3458	3658	3858	4058
Clear passage width (LW)	1540	1640	1740	1840
Escape route width	1495	1595	1695	1795

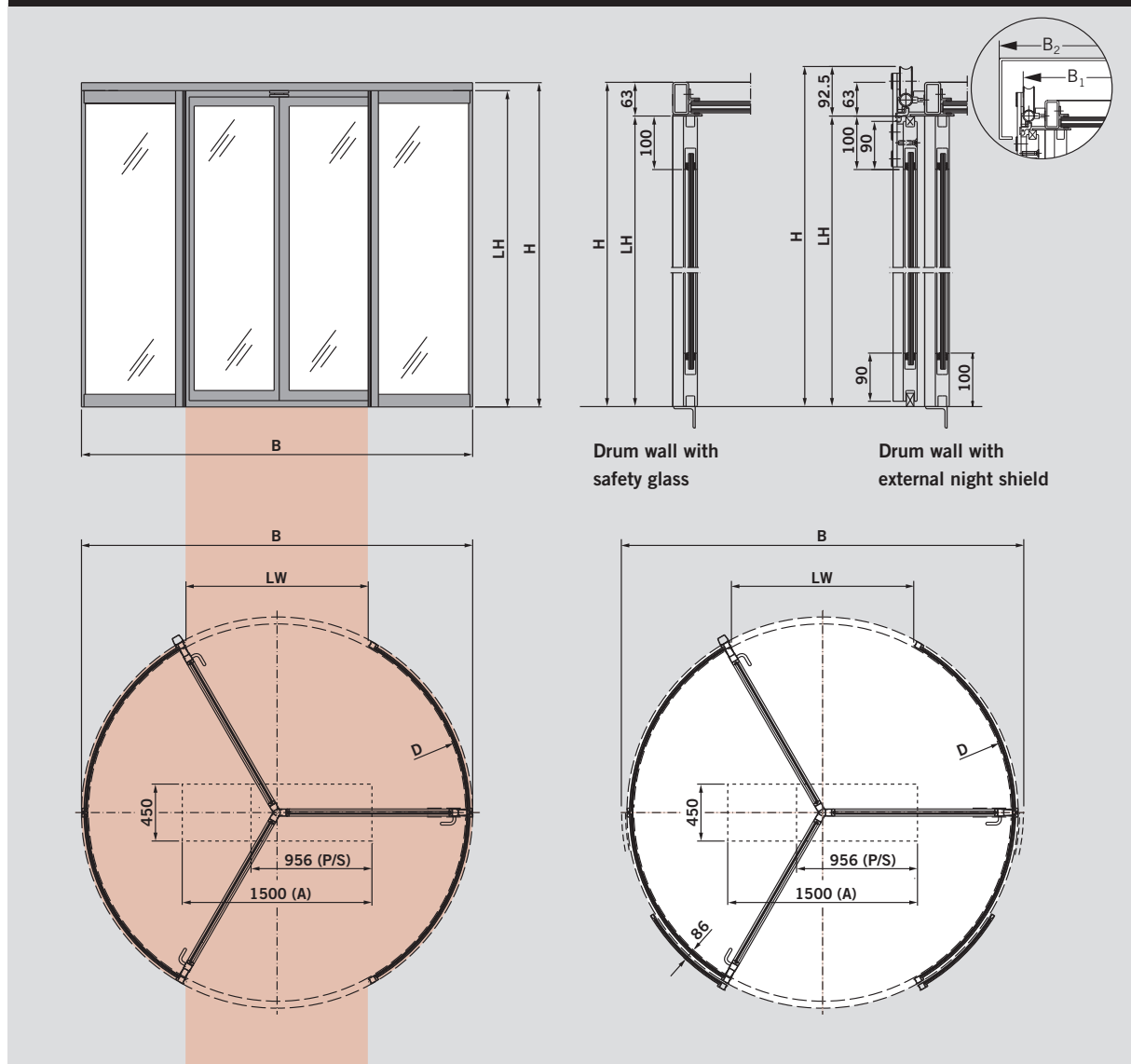
All dimensions in mm.

KTV/M/P/S/A

Rigid or pivot-mounted wings, drum walls optionally made of

- Curved aluminium special profiles, posts 70 x 46 mm, base section height (at top and bottom): 100 mm and safety glazing: 8.7 mm laminated safety glass or 8 mm toughened safety glass, uncoloured. Laminated safety glass is pendulum body impact resistant according to class A 1 of DIN 52290 (German Industrial Standard).
- Curved aluminium special profiles, posts 70 x 46 mm, base section 100 mm high top and bottom with metal panelling, 18 mm thick.

KTV-3 with glass ceiling M/P/S/A



KTV/M/P/S/A

- 3-/4-wing design also with internal or external night shield and safety glass made of 8.7 mm laminated safety glass or 8 mm toughened safety glass, colourless. Laminated safety glass is pendulum body impact resistant according to class A 1 of DIN 52290 (German Industrial Standard).

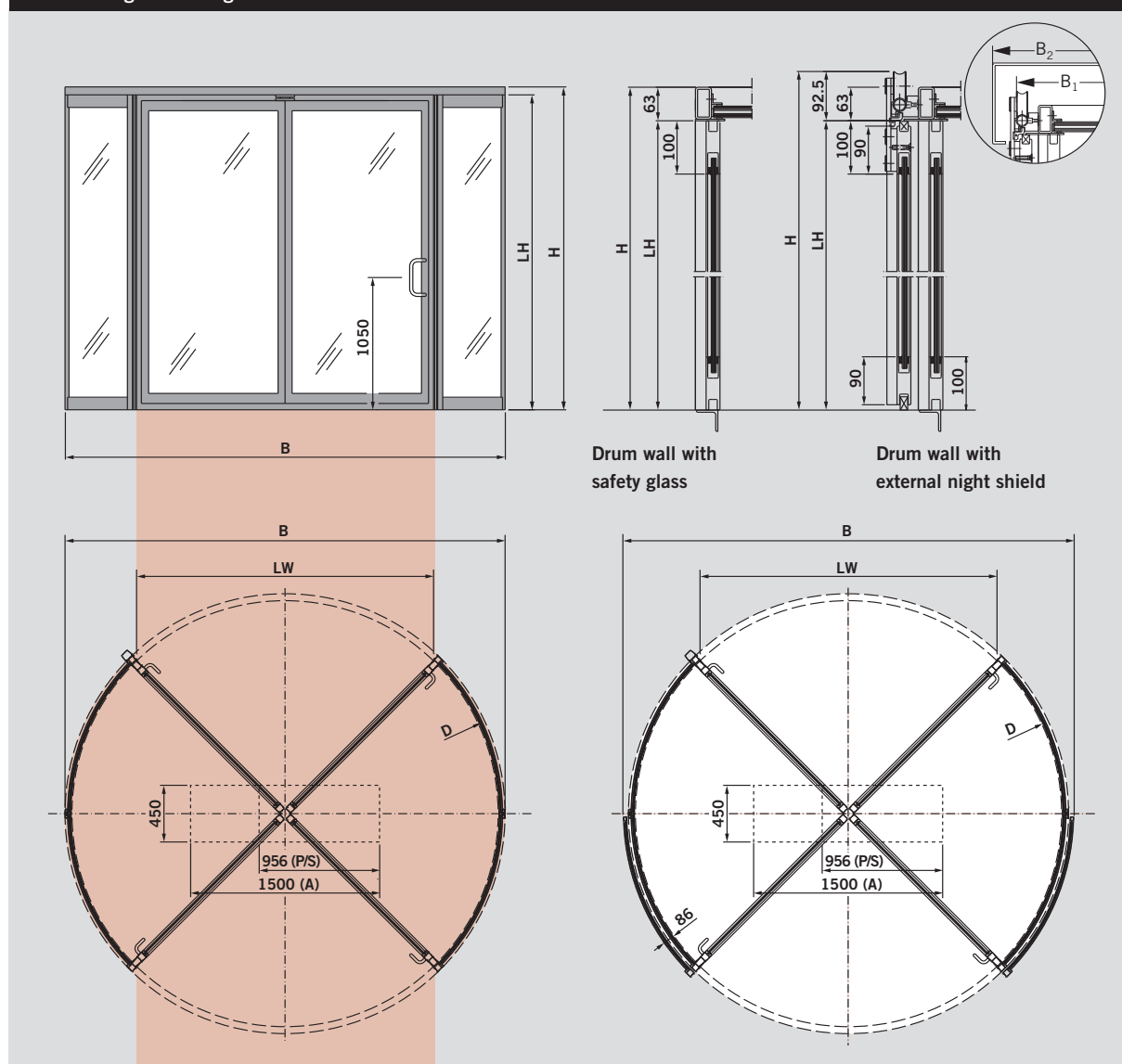
Dimensions of KTV-4 with glass ceiling for internal diameters (D) of or beyond 3,200 mm
4-wing design (without night shield)

Internal diameter (D)	3200	3400	3600	3800
External diameter (B)	3292	3492	3692	3892
Clear passage width (LW)	2213	2354	2496	2637
Escape route width	1495	1595	1695	1795

4-wing design (with double-leaf night shield)

Internal diameter (D)	3200	3400	3600	3800
External diameter (B1) without cover for door suspension	3388	3588	3788	3988
External diameter (B2) with cover for door suspension	3458	3658	3858	4058
Clear passage width (LW)	2213	2354	2496	2637
Escape route width	1495	1595	1695	1795

All dimensions in mm

KTV-4 with glass ceiling M/P/S/A


Dimensions KTV-ATRIUM-3

3-wing design (without night shield)

Internal diameter (D)	2000	2200	2400	2600	2800
External diameter (B)	2048	2248	2448	2648	2848
Clear passage width (LW)	957	1057	1157	1257	1357

3-wing design (with single-piece external night shield)

Internal diameter (D)	2000	2200	2400	2600	2800
External diameter (B)	2112	2312	2512	2712	2912
Clear passage width (LW)	957	1057	1157	1257	1357

Alle Maße in mm.

KTV/M/P/S

Wings rigid, side walls of

- 17.5 mm laminated safety glass (LSG), neutral, with all-round channel-section edging trim
- with optional external night shield of 10 mm toughened safety glass (TSG)

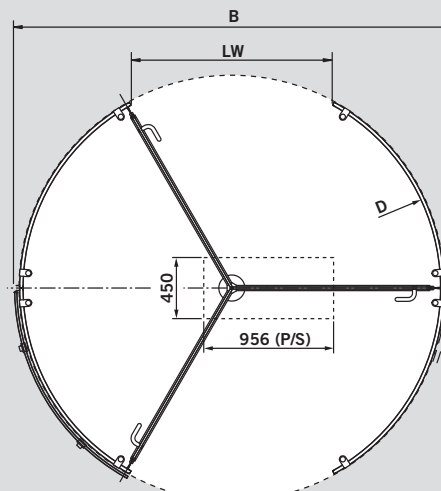
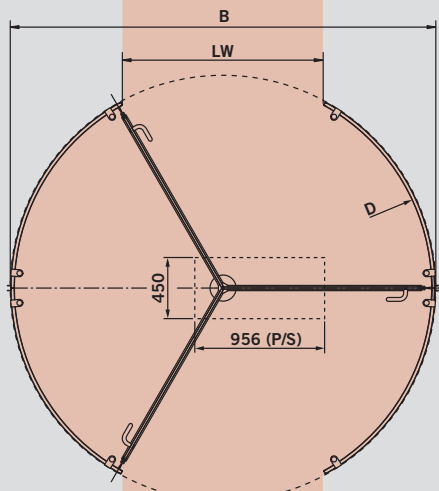
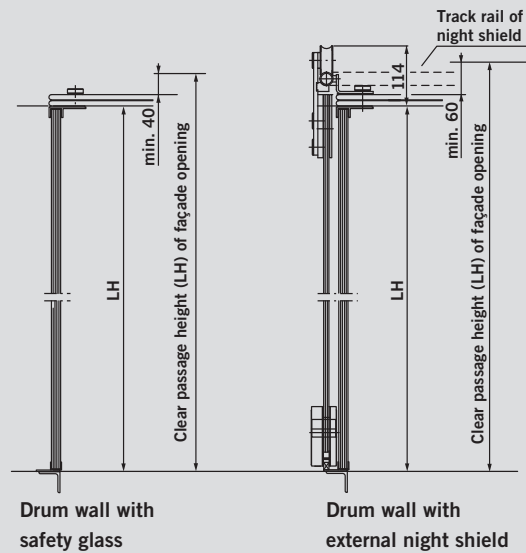
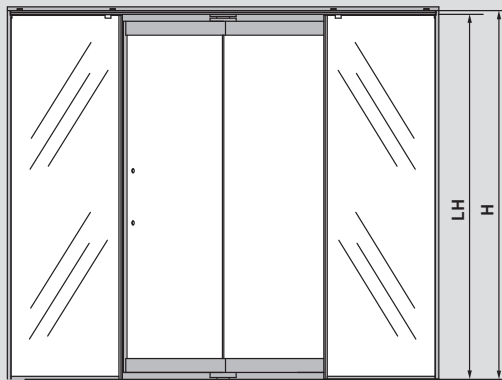
Ceiling:

- LSG (TSG) 2 x 10 mm
2 x 12 mm (4 four wing design + night shield)
external ceiling

Wing:

- TSG 12 mm

KTV-ATRIUM/M/P/S



KTV/M/P/S

Wings rigid, side walls of

- 17.5 mm laminated safety glass (LSG), neutral, with all-round channel-section edging trim
- with optional external night shield of 10 mm toughened safety glass (TSG)

Ceiling:

- LSG (TSG) 2 x 10 mm
2 x 12 mm (4 four wing design + night shield)
external ceiling

Wing:

- TSG 12 mm

Dimensions KTV-ATRIUM-4

4-wing design (without night shield)

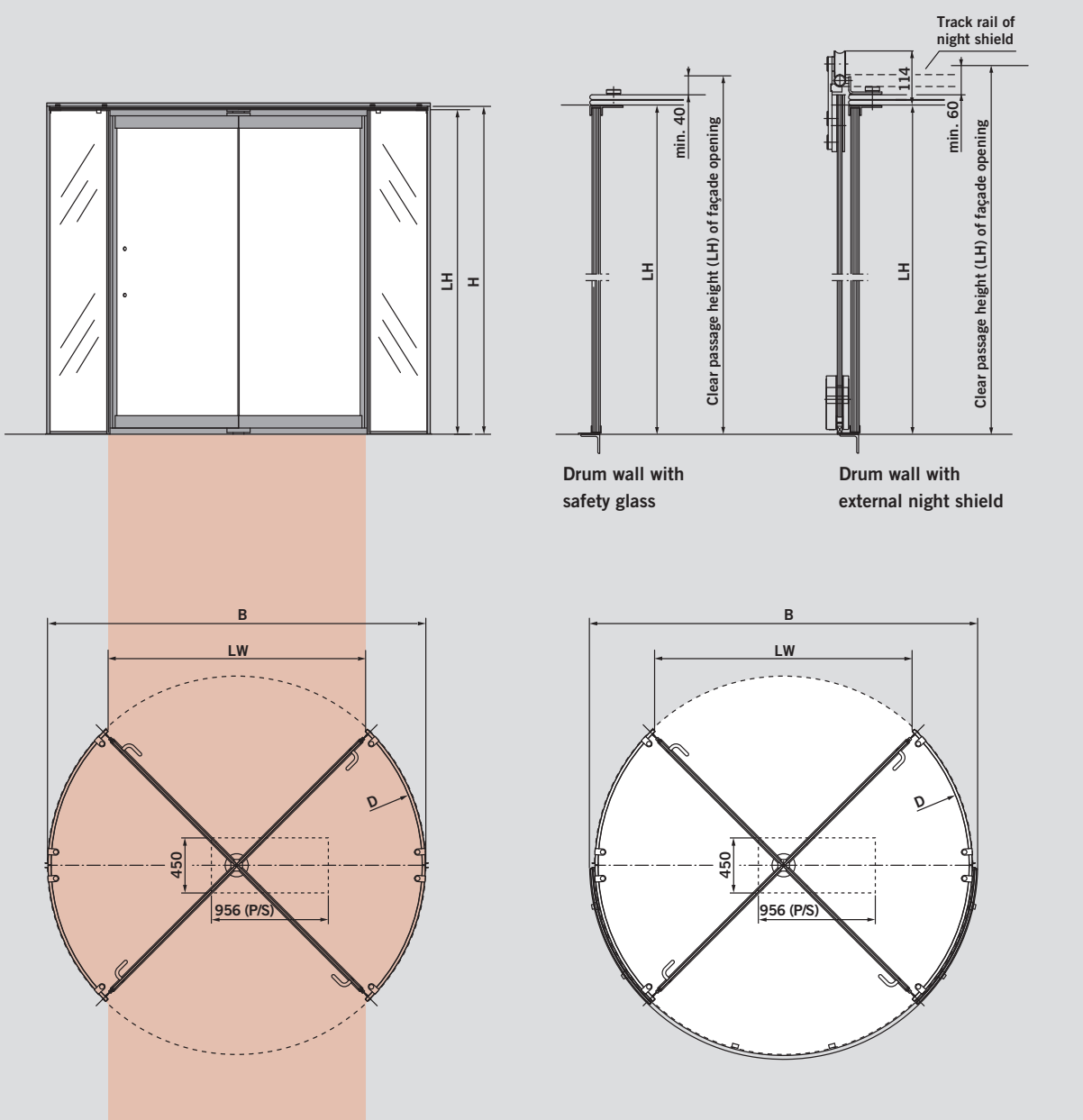
Internal diameter (D)	2000	2200	2400	2600	2800
External diameter (B)	2048	2248	2448	2648	2848
Clear passage width (LW)	1379	1520	1661	1803	1944

4-wing design (with double-leaf external night shield)

Internal diameter (D)	2000	2200	2400	2600	2800
External diameter (B)	2112	2312	2512	2712	2912
Clear passage width (LW)	1379	1520	1661	1803	1944

All dimensions in mm.

KTV-ATRIUM/M/P/S



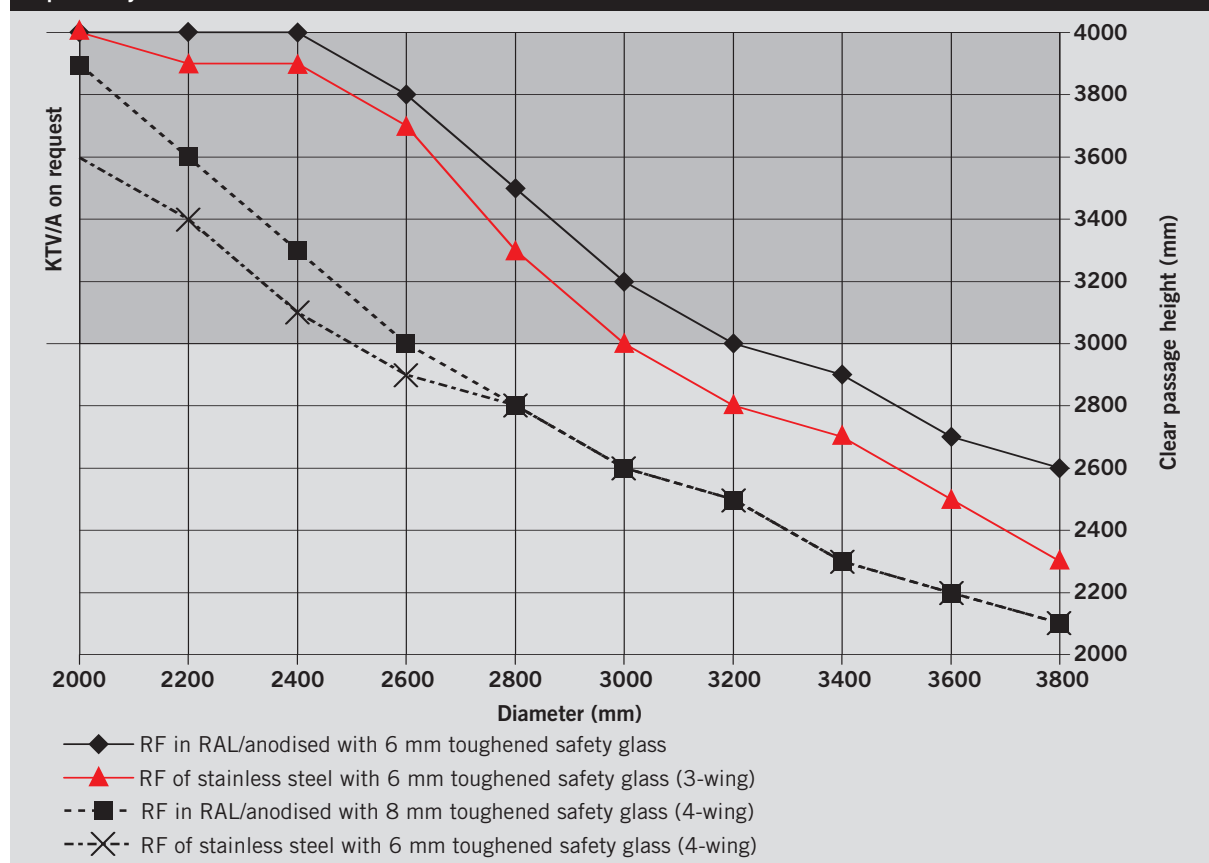
1. KTV-A canopy heights depending on function and installation features

Function	Canopy height
Manual operation	100
Positioning automatic (Canopy-integrated operator)	200
Servomatic (Canopy-integrated operator)	
Automatic (Canopy-integrated operator)	
Positioning automatic (Under floor operator)	100 / 21,5* / 17,5* / 63*
Servomatic (Under floor operator)	
Automatic (Under floor operator)	
Manual night shield (Under floor operator)	200
Electrically operated night shield (Under floor operator)	300
Speed limiter (Canopy-integrated operator)	200
Shock-Stop anti-vandalism brake (Canopy-integrated operator)	200
Overhead warm-air curtain	500/600

The highest indicated height is the decisive factor. Canopy covers of or beyond 700 mm on request. The upper ceiling remains at the minimum height indicated in the table.

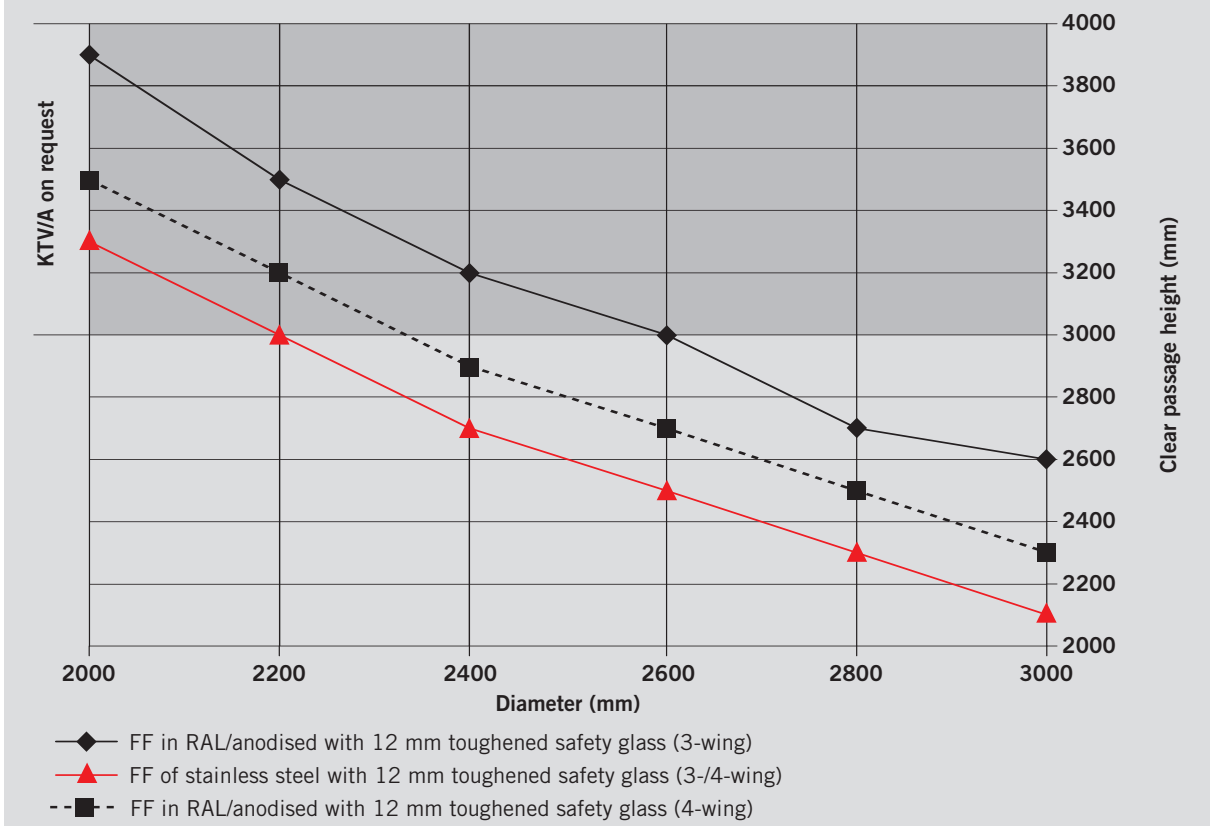
* For glass ceilings see product descriptions on page 8-13

Dependency table for KTV 3/4 with framed turnstile



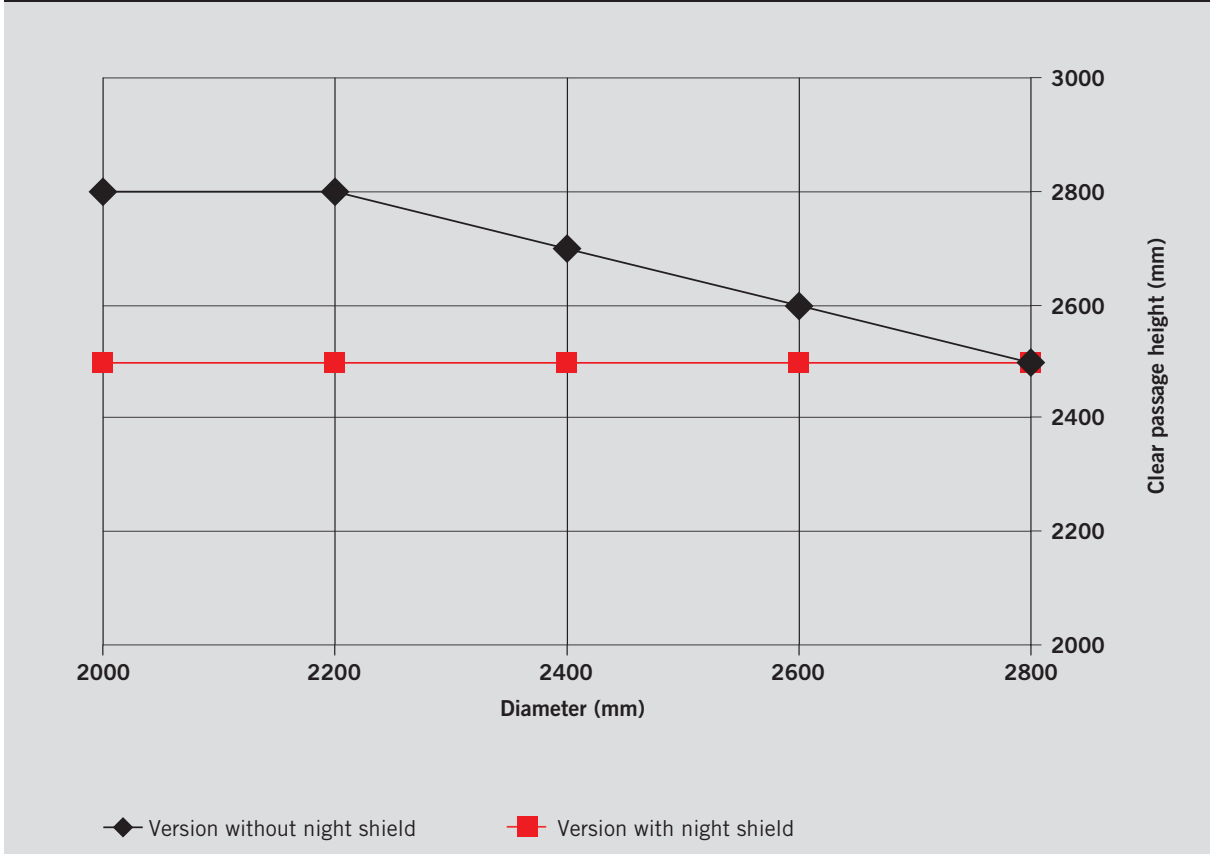
RF = rigid framed

Dependency table KTV 3/4 with turnstile in fine-frame design



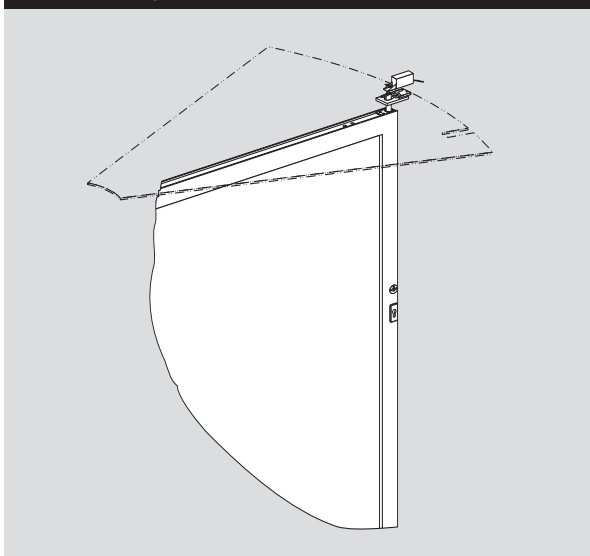
FF = fine-framed

Dependency table KTV Atrium

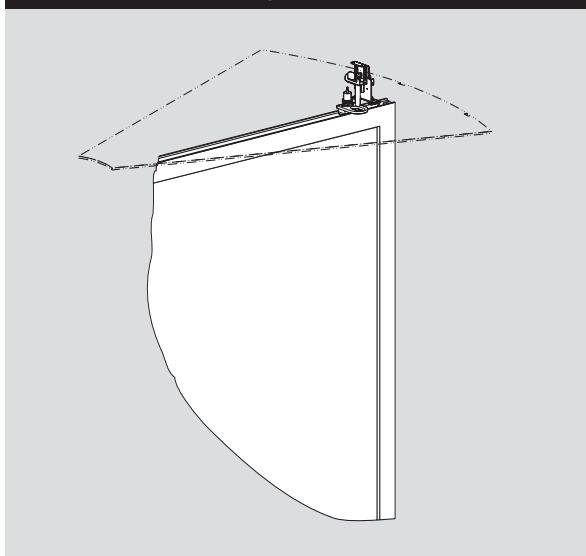


	3-wing design	4-wing design
Framed turnstile, rigid		
Framed turnstile with transport opening		
Framed turnstile with emergency escape configuration		
Rigid turnstile in fine-frame design for internal diameters of max. 3,000 mm		

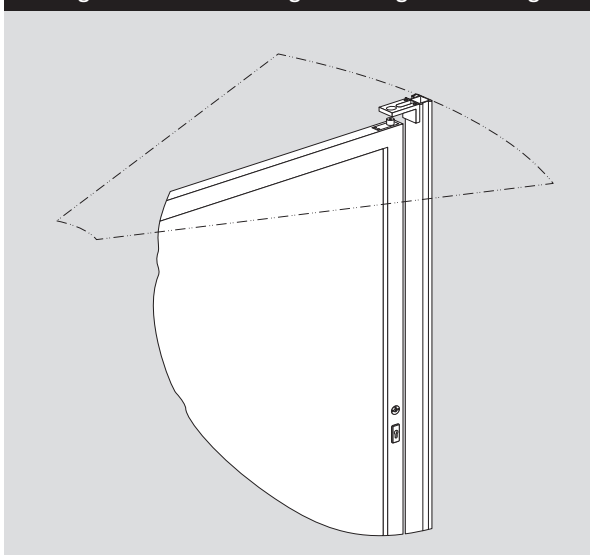
Manual locking device



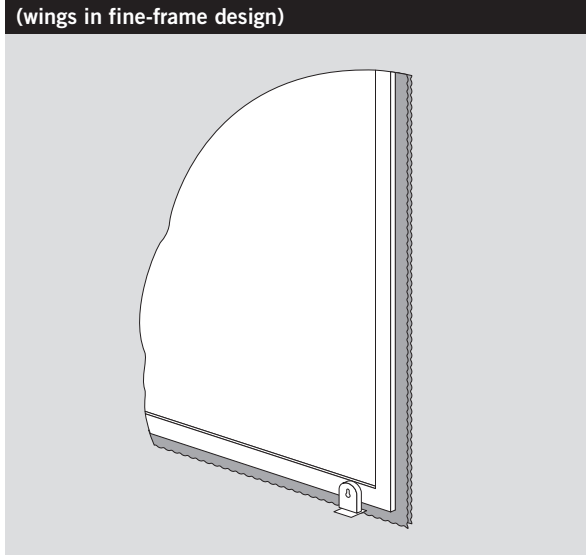
Electro-mechanical locking device



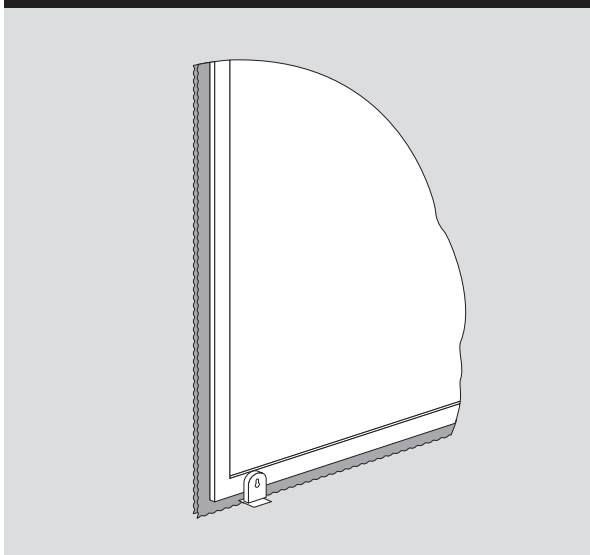
Locking device for KTV with glass ceiling (framed wings)



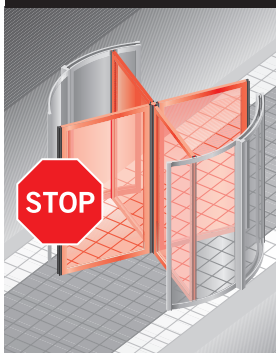
Floor locking device for KTV with glass ceiling (wings in fine-frame design)



Floor locking device for KTV Atrium

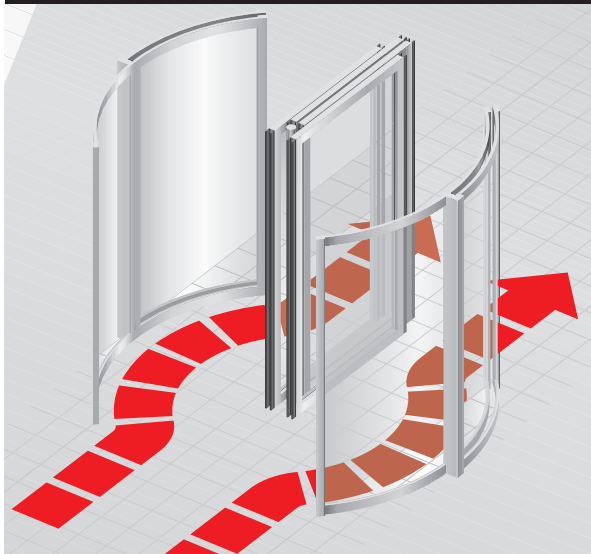


Shock-Stop



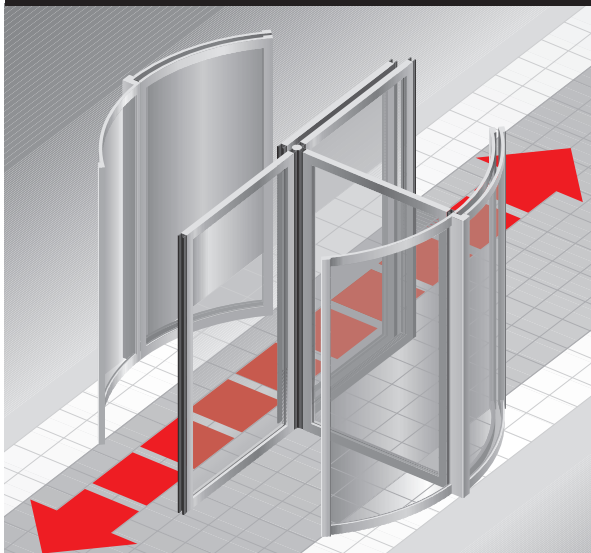
The Shock-Stop function is able to lock the turnstile in any position. In the event of a power failure the turnstile is released and can be rotated in either direction (fail-safe design). The Shock-Stop function can only be used with rigid wings and has a holding torque of 1200 Nm. The activator for the Shock-Stop function must be positioned within sight of the door.

Escape route



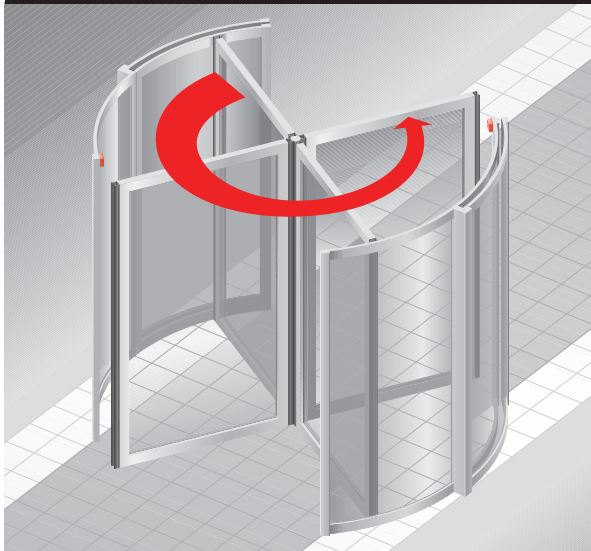
The bookfold mechanism for the door wings offers a special folding function. The folding mechanism enables the wings to be folded together almost in parallel, thereby giving the largest possible passage width. This folding capability of the wings makes these doors suitable for installation in emergency exits and escape routes.

Transport opening



The leaf hinge for the transport opening provides a special folding-function for one wing (not available for KTV/Atrium). By folding a single wing, one can create an opening, enabling long objects to be carried through the KTV.

Speed limiter



The speed limiter prevents the wings from rotating above a preset speed. The triggering speed can be preset and is normally set to 6 rpm. When this preset speed is reached or exceeded, the turnstile is automatically slowed down, while still allowing passage through the door.

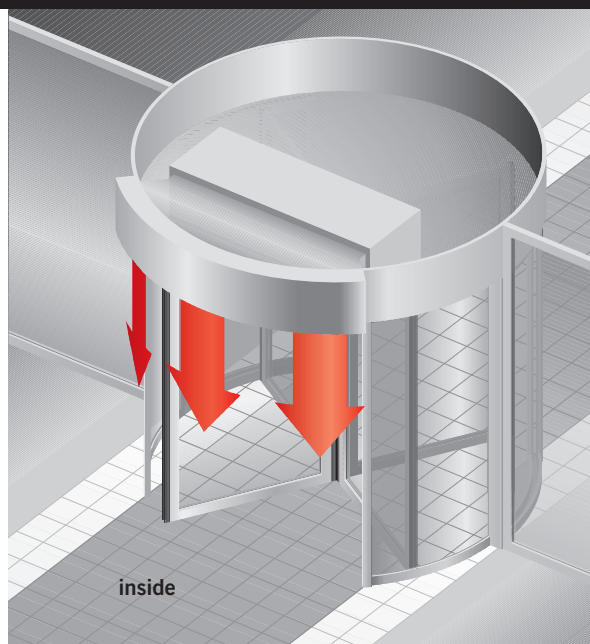
Warm-air curtain

The warm-air curtain unit consists of a self-supporting housing of zinc-plated steel. The surfaces of the visible parts are plastic-coated. The exhaust duct – with nozzle matched to the radius of the revolving door – is provided at the opening with permanently fitted blades.

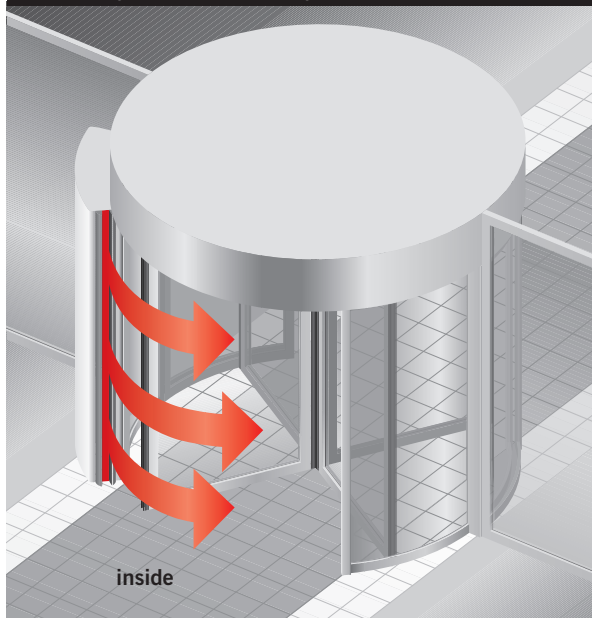
The air volume and speed are controlled by means of a remote control unit with switch and indicator light. The device is mounted on the upper ceiling/roof. The exhaust duct is located in front of the internal canopy (in the passage area).

Technical data for a 4-wing revolving door with 3000 mm diameter and clear passage height of 2400 mm.

Air flow	3600 m ³ /h
Thermal output	25,8 kW
Heating medium	PWW 70/50 °C
Water resistance	2,44 kPa
Total current consumption	4,8 A
Motor capacity	1,1 kW
Voltage	230 V, 50 Hz
Max. sound level at 3 m distance	55 db(A)

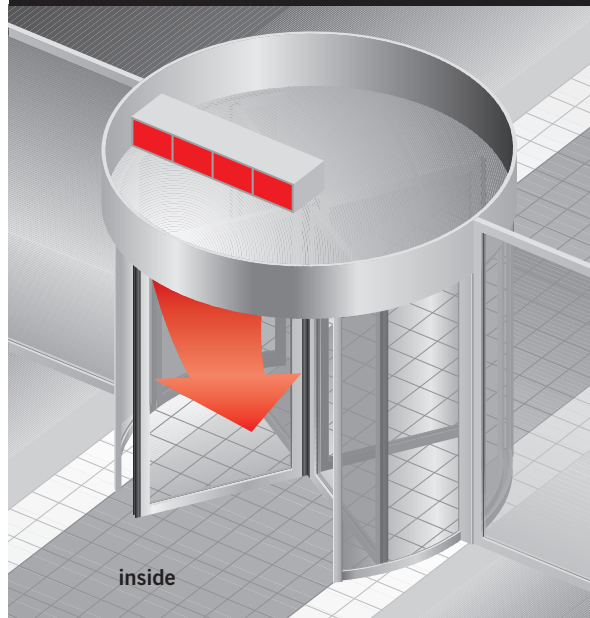


Vertical (floor mounted) warm-air curtain to blow air horizontally across the doorway



With low ceilings, you can also install a single or two vertical air-curtains. The performance is adapted to the door size.

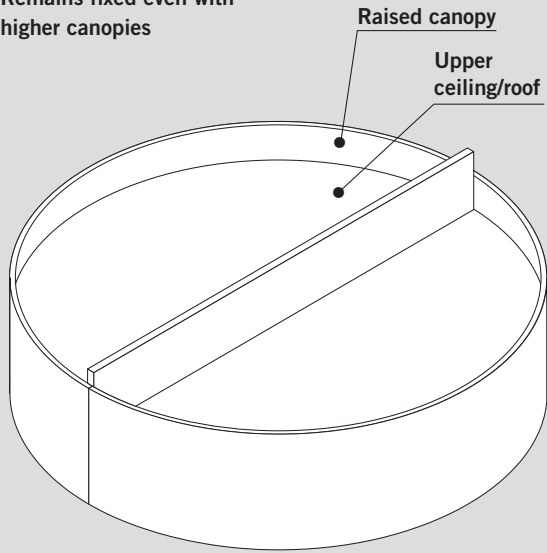
Canopy-integrated warm-air curtain



Canopy-integrated warm-air curtains are a cut-price alternative. They blow warm air into the lateral section.

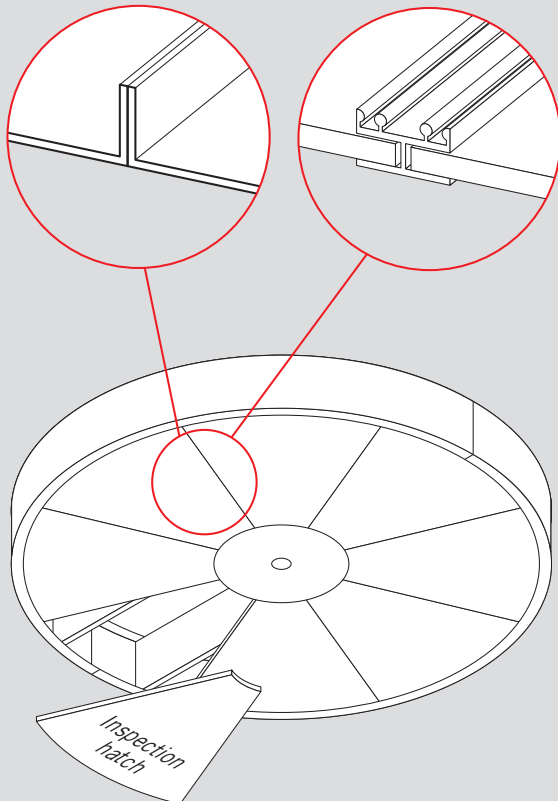
Ceiling structure KTV 3/4

View of upper ceiling/roof:
Remains fixed even with
higher canopies



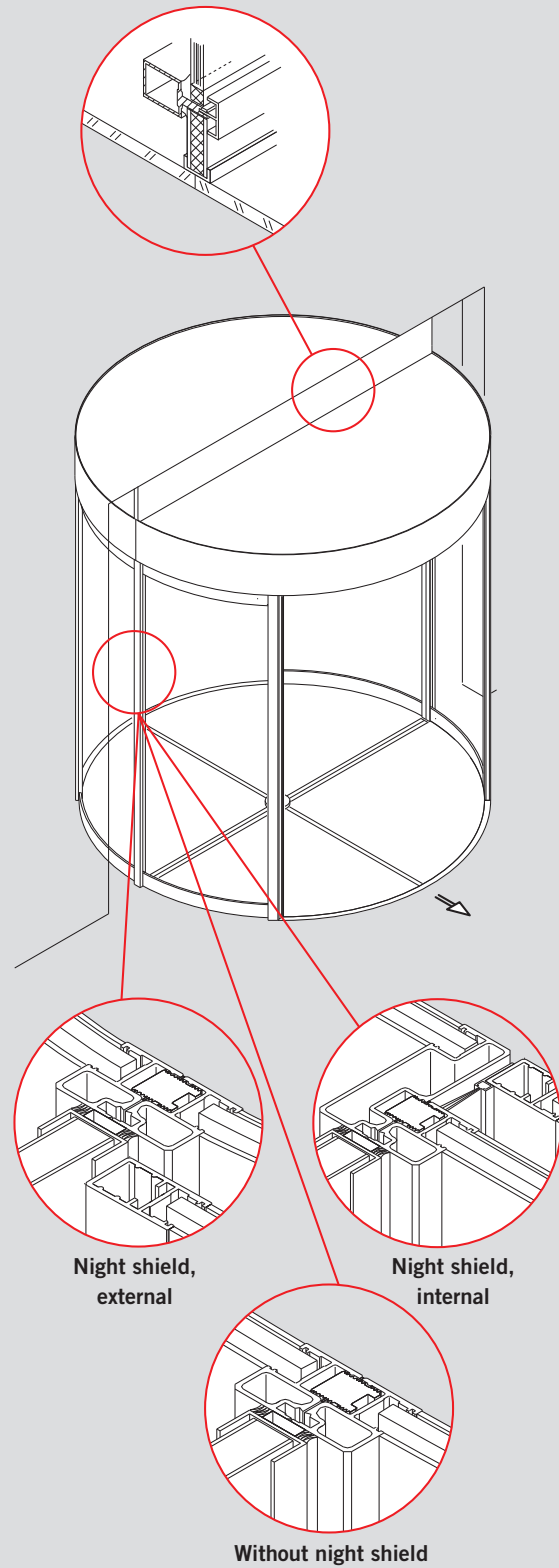
Lower ceiling of metal

Lower ceiling made of
chipboard, melamine-
coated (standard)



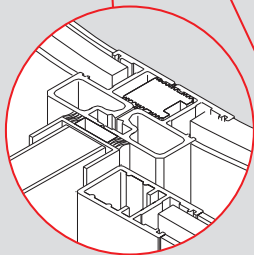
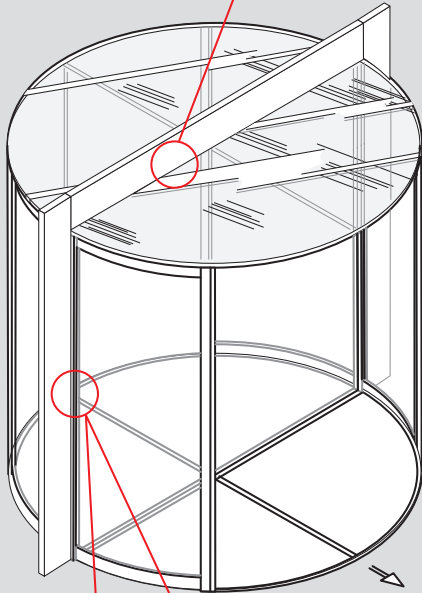
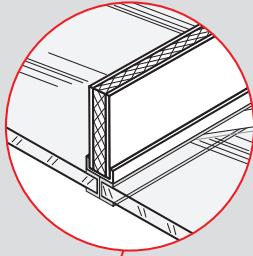
Drum wall-to-structure connection KTV 3/4

Top drum wall-to-structure
connection

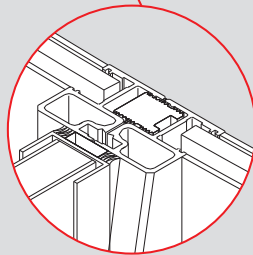


KTV with glass ceiling

Top drum wall-to-structure
connection



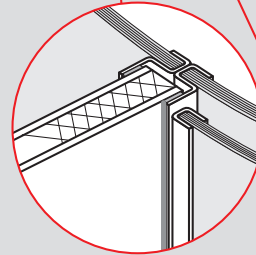
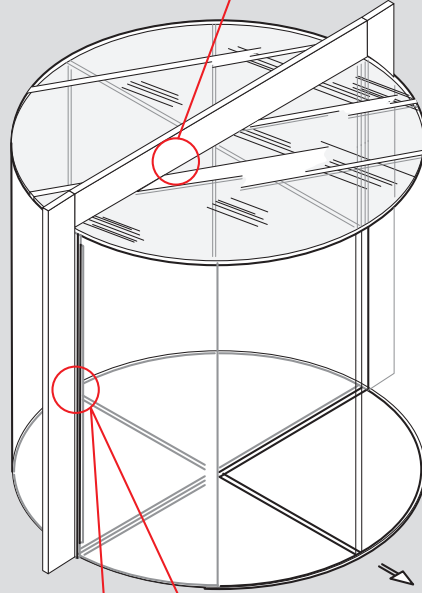
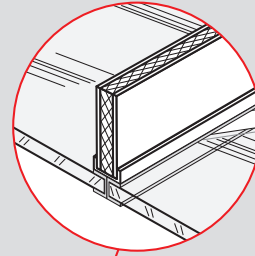
Night shield,
external



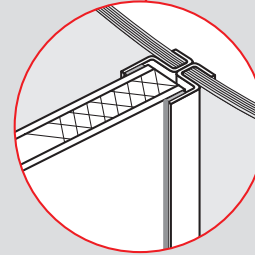
Without night shield

KTV ATRIUM

Top drum wall-to-structure
connection

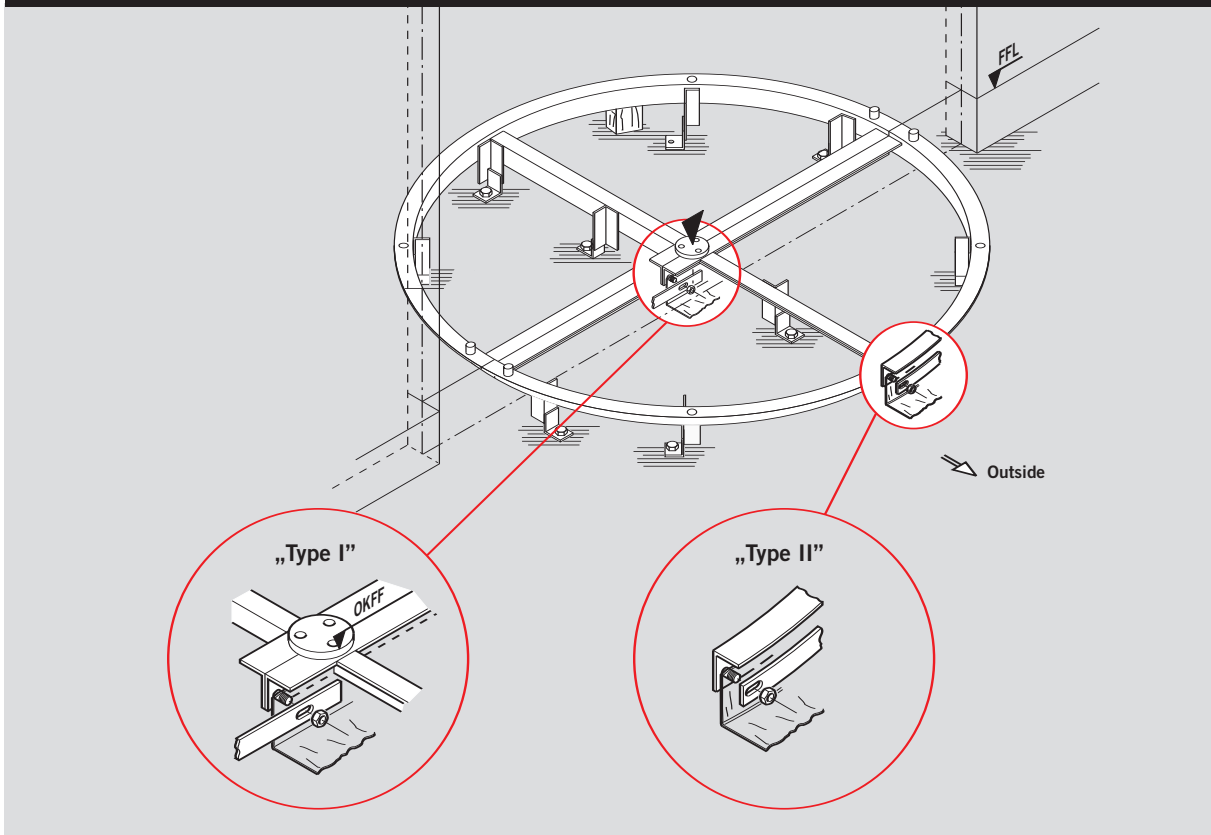


Night shield,
external

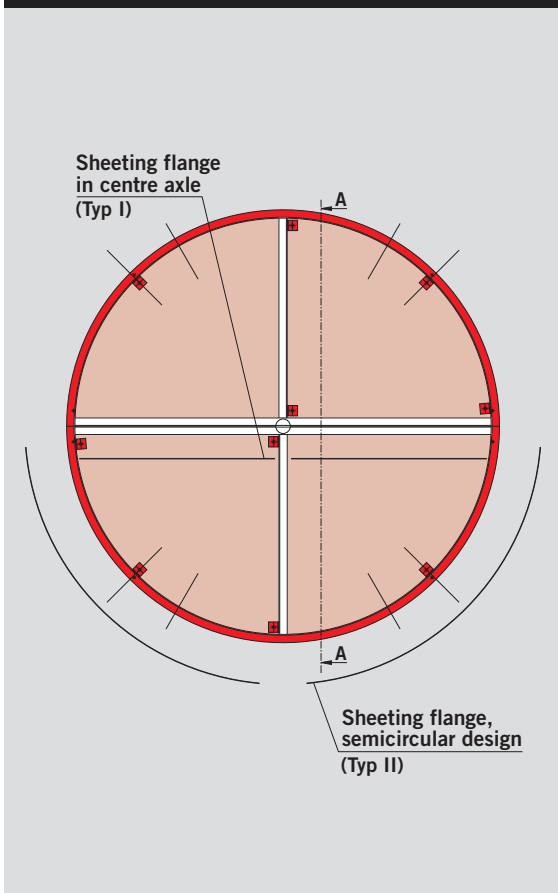


Without night shield

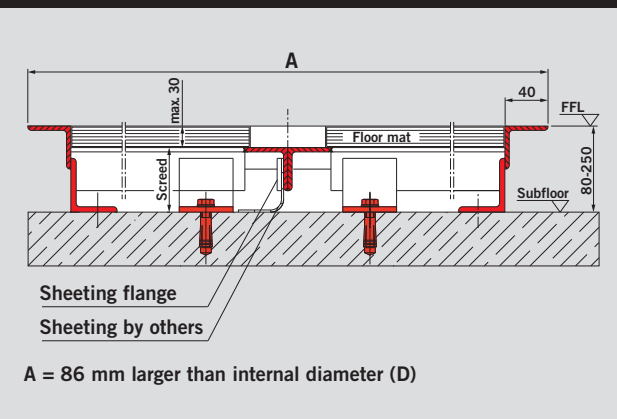
Without under floor operator



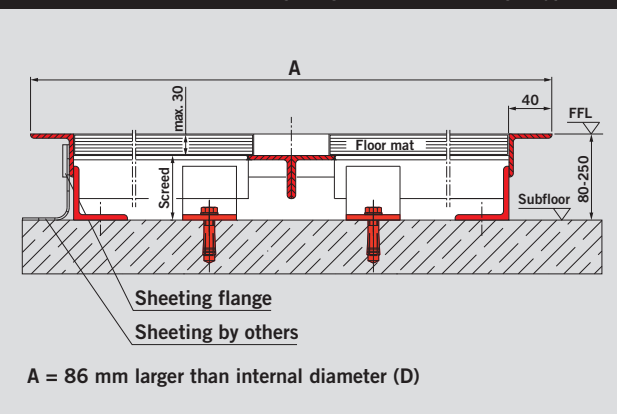
Floor ring without night shield



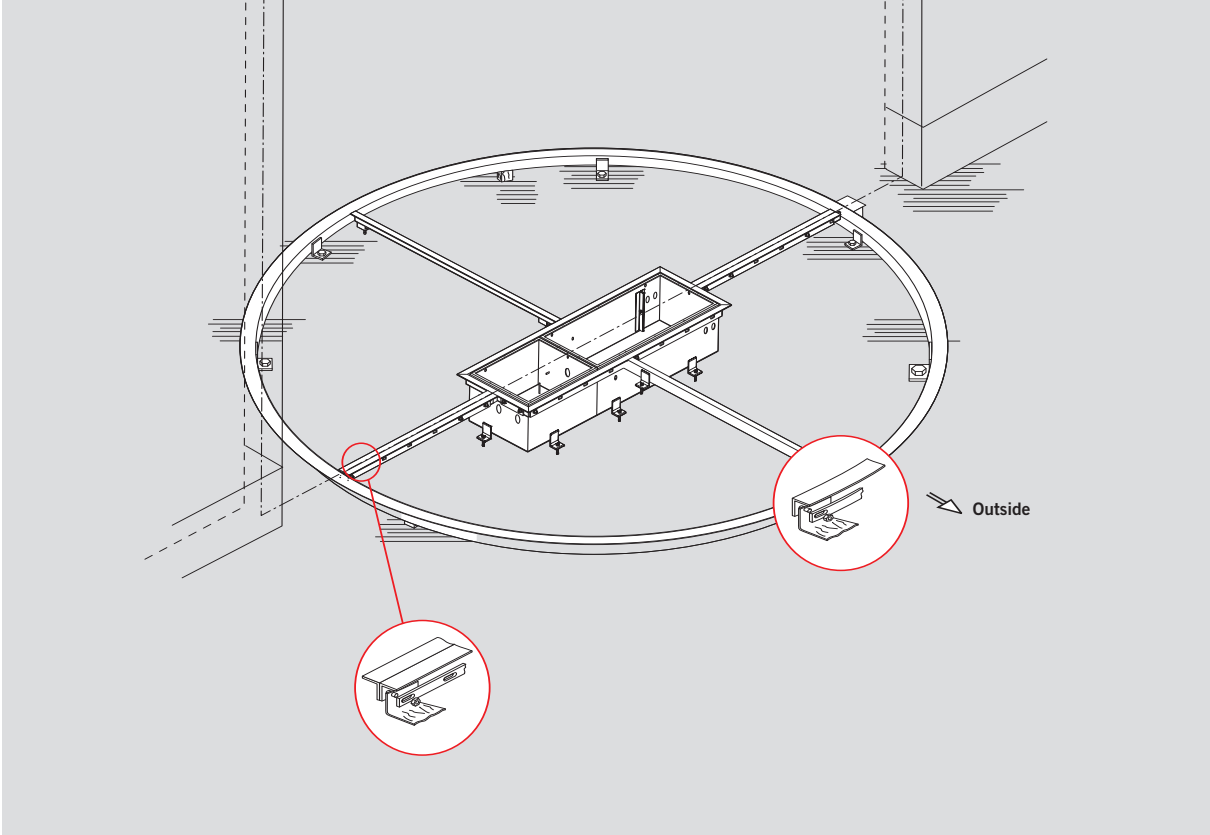
Cross-section A – A with sheeting flange in centre axle (Type I)



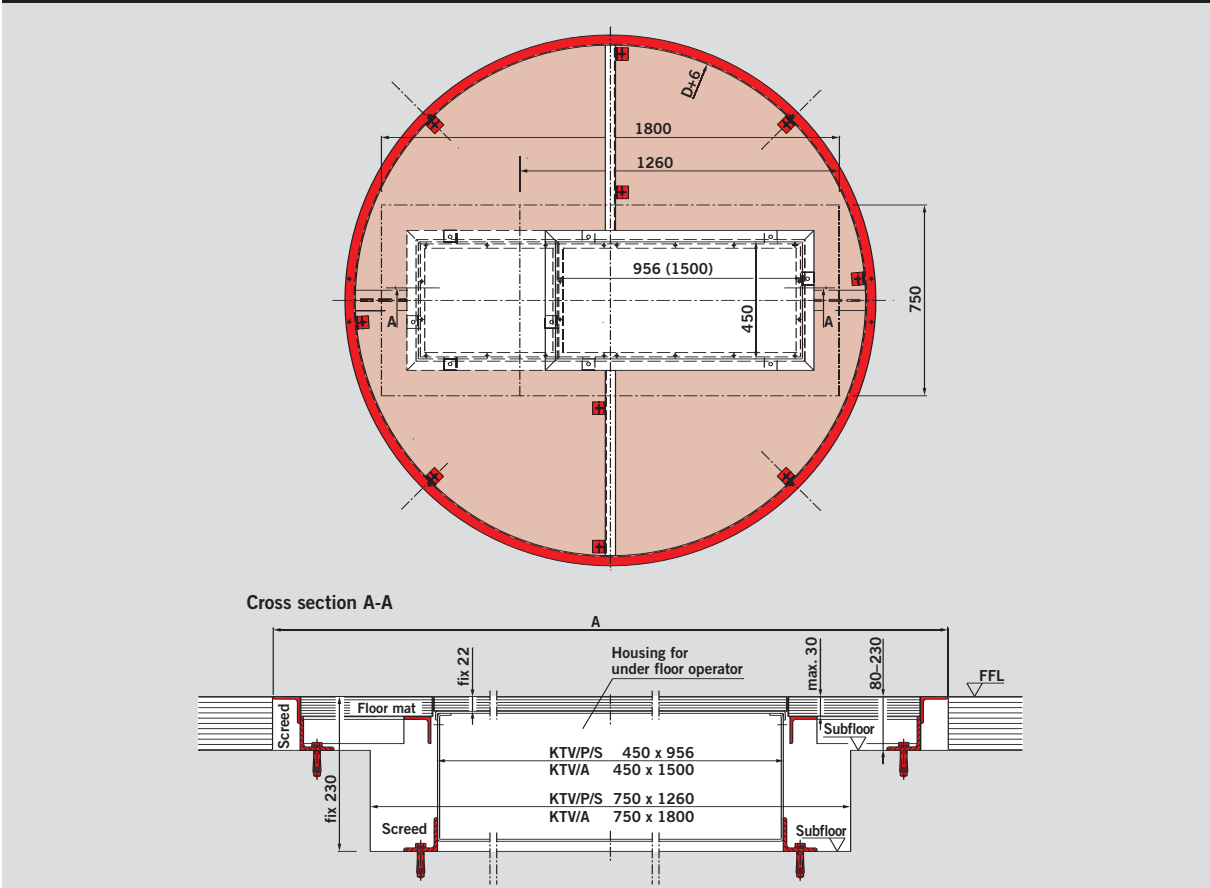
Cross-section A – A with sheeting flange, semicircular design (Type II)



KTV with under floor operator

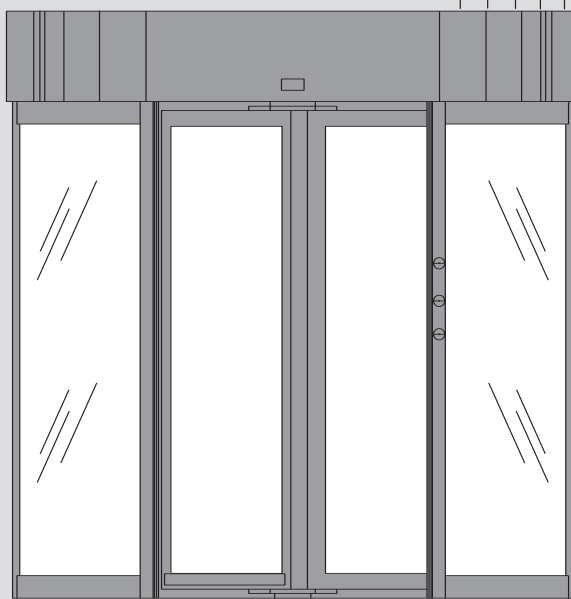


Floor ring with under floor operator, without night shield

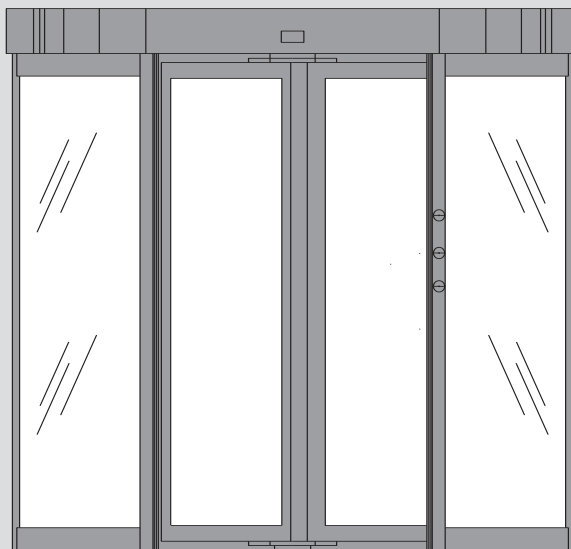


Wiring diagram KTV/P/S canopy-integrated operator

- External pushbutton for autom. night shield (option) 3 x 0.75 mm² (by others)
- Pushbutton for anti-vandalism brake (option) 2 x 0.75 mm² (by others)
- External program switch (option) 5 x 0.75 mm² (by others)
- Equipotential bonding of at least 6 mm² (by others)
- Power supply line 3 x 1.5 mm² (by others)



Wiring diagram KTV/P/S under floor operator

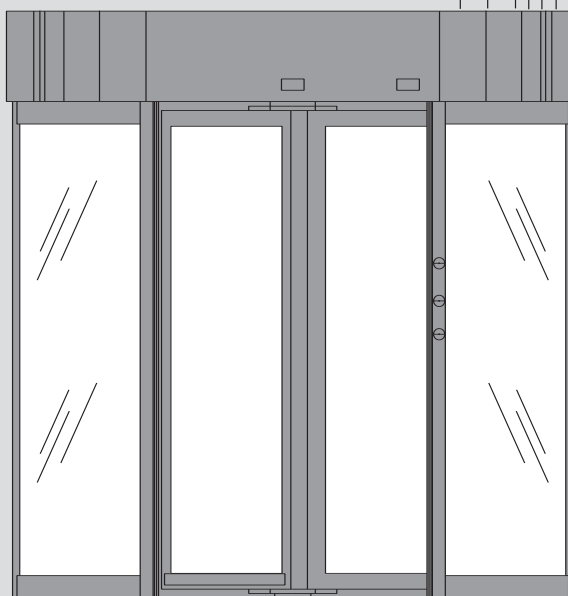


Drive +
control unit

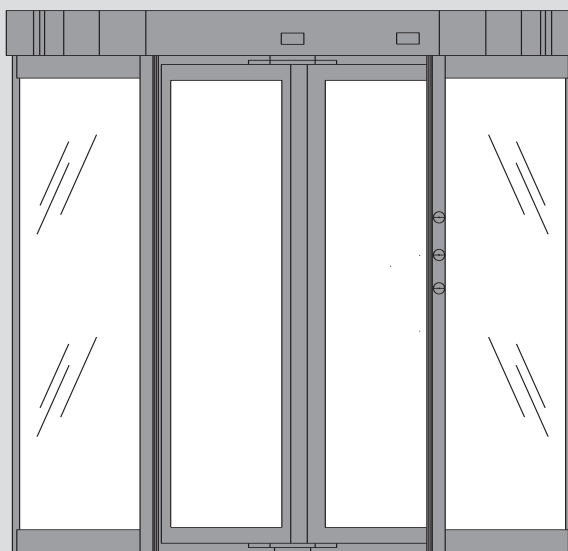
- External pushbutton for autom. night shield (option) 3 x 0.75 mm² (by others)
- Pushbutton for anti-vandalism brake (option) 2 x 0.75 mm² (by others)
- External program switch (option) 5 x 0.75 mm² (by others)
- Equipotential bonding of at least 6 mm² (by others)
- Power supply line 3 x 1.5 mm² (by others)

Wiring diagram KTV/A canopy-integrated operator

- External pushbutton for autom. night shield (option) 3 x 0.75 mm² (by others)
- Potential-free contact for Night-/Bank Function (option) 2 x 0.75 mm² (by others)
- Pushbutton for anti-vandalism brake (option) 2 x 0.75 mm² (by others)
- External program switch (option) 5 x 0.75 mm² (by others)
- Equipotential bonding of at least 6 mm² (by others)
- Power supply line 3 x 1.5 mm² (by others)



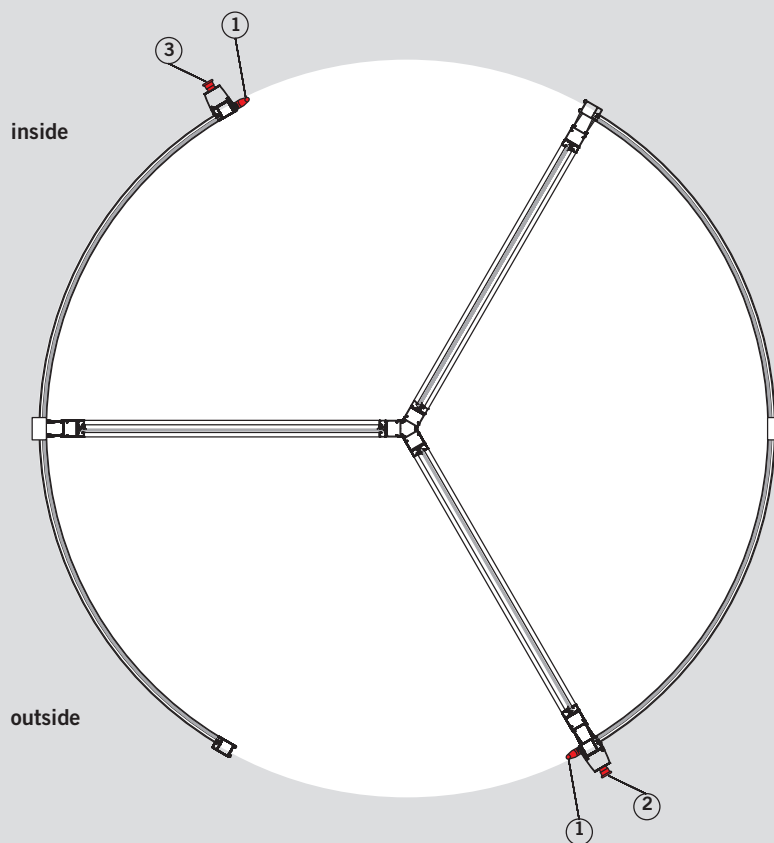
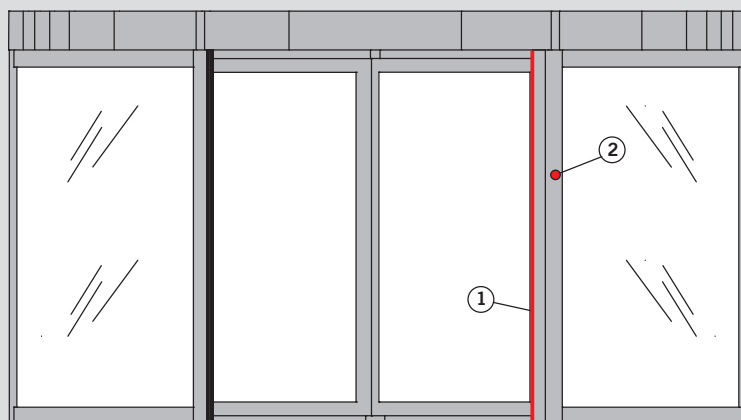
Wiring diagram KTV/A under floor operator



Drive + control unit

- External pushbutton for autom. night shield (option) 3 x 0.75 mm² (by others)
- Potential-free contact for Night-/Bank Function (option) 2 x 0.75 mm² (by others)
- Pushbutton for anti-vandalism brake (option) 2 x 0.75 mm² (by others)
- External program switch (option) 5 x 0.75 mm² (by others)
- Equipotential bonding of at least 6 mm² (by others)
- Power supply line 3 x 1.5 mm² (by others)

Safety equipment for KTV/P/S, 3- and 4-wing design



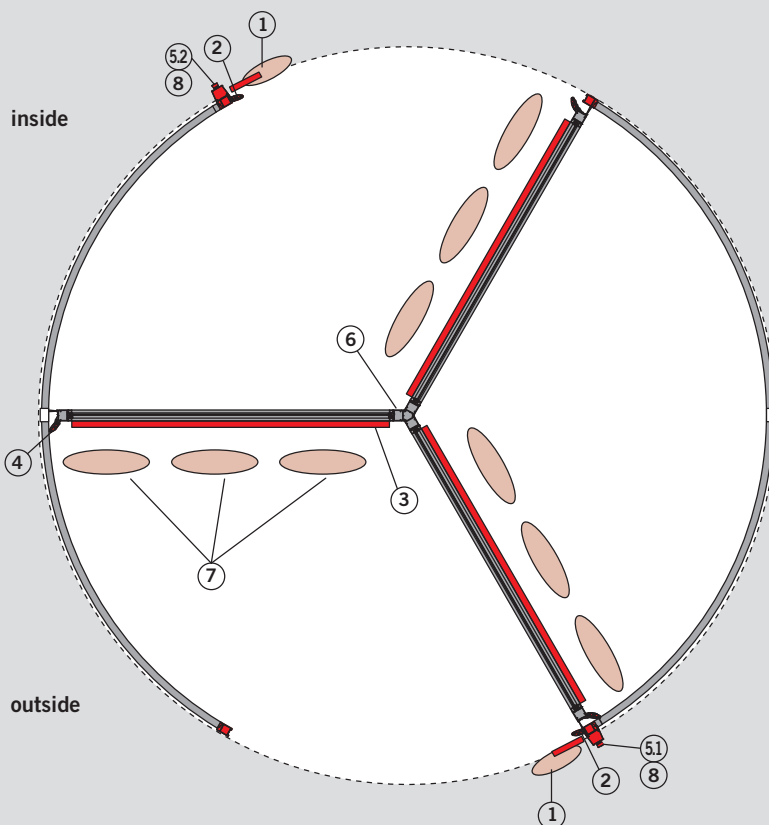
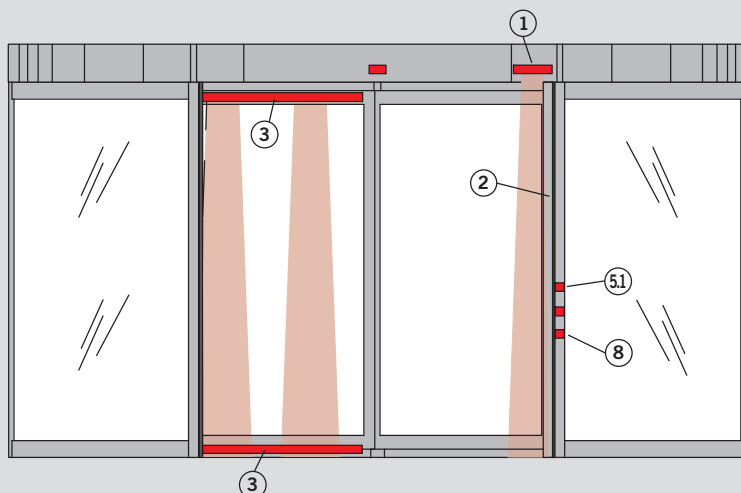
	Function
① Rubber strip (door post)	Impact protection
② Emergency pushbutton (door post/near the door, external)	Stop
③ Emergency pushbutton (door post)	Stop

The KTV has to be equipped with an emergency pushbutton when choosing version P or S. The door post has to be protected with a collide protection.

Please note:
Safety equipment has to be selected according to the national requirements.

In order to comply with DIN 18650, doors require all below-mentioned safety equipment.

Safety equipment for KTV/A, 3- and 4-wing design



	Function
① Canopy-integrated sensor (door post, top/canopy)	Slow cycle/stop
② Rubber strip (door post)	Impact protection
③ Safety contact strip (wing, bottom)	Stop
④ Safety contact strip (wing, top)	Stop
⑤.1 Emergency pushbutton (door post/near the door, external)	Stop
⑤.2 Emergency pushbutton (door post, internal)	Stop
⑥ Limit switch for deflection device (only for pivot-mounted wings)	Stop
⑦ Limit switch for deflection device (only for pivot-mounted wings)	Slow cycle/stop
⑧ Disabled access pushbutton (door post)	Slow cycle

DORMA KTV Varioline revolving doors equipped with Automatic operators offer a comprehensive range of safety equipment.

Fail-safe function

After the emergency push-button has been activated, the turnstile is disengaged from the drive unit and can then be rotated freely.

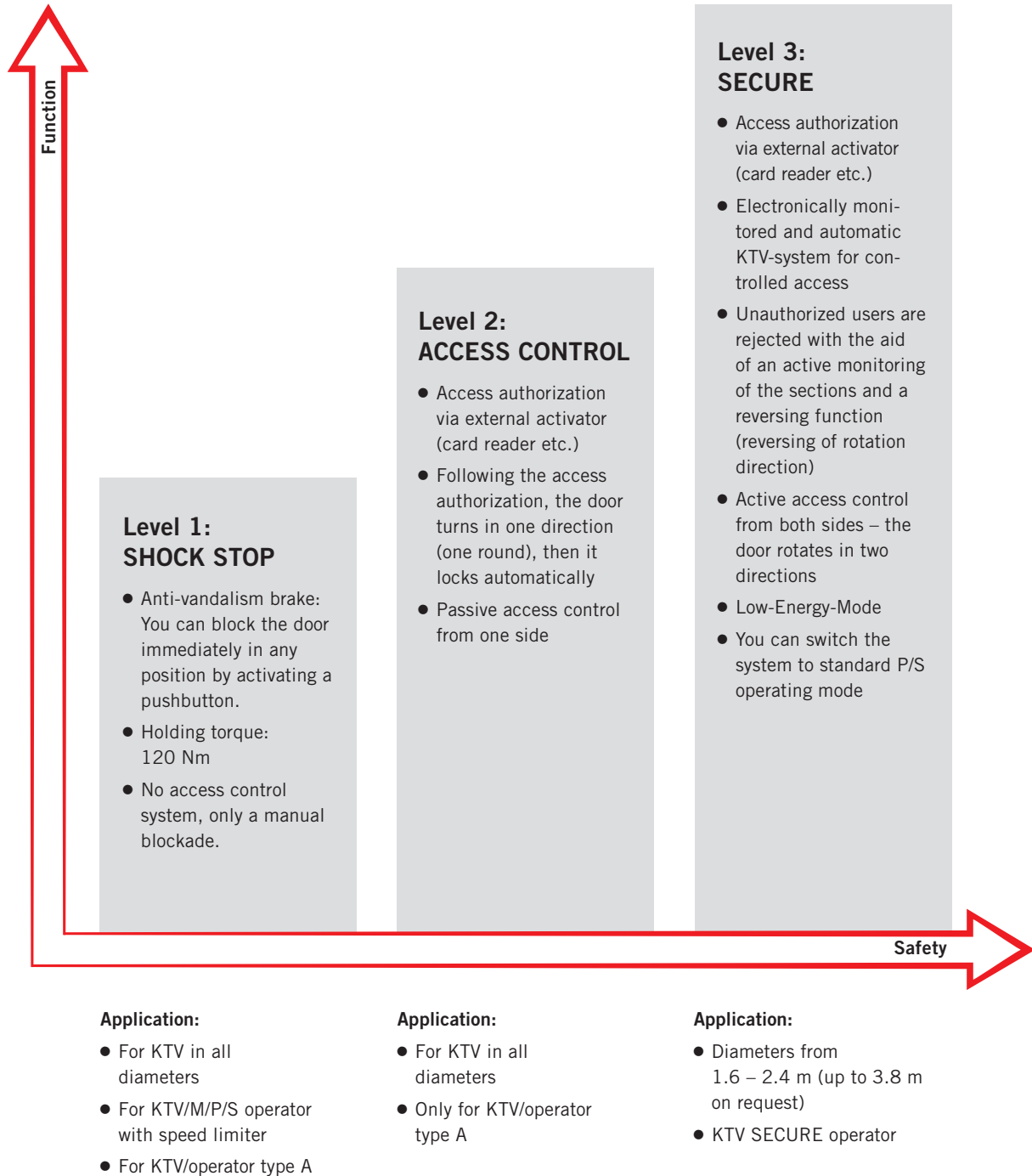
Please note:

Safety equipment has to be selected according to the national requirements.

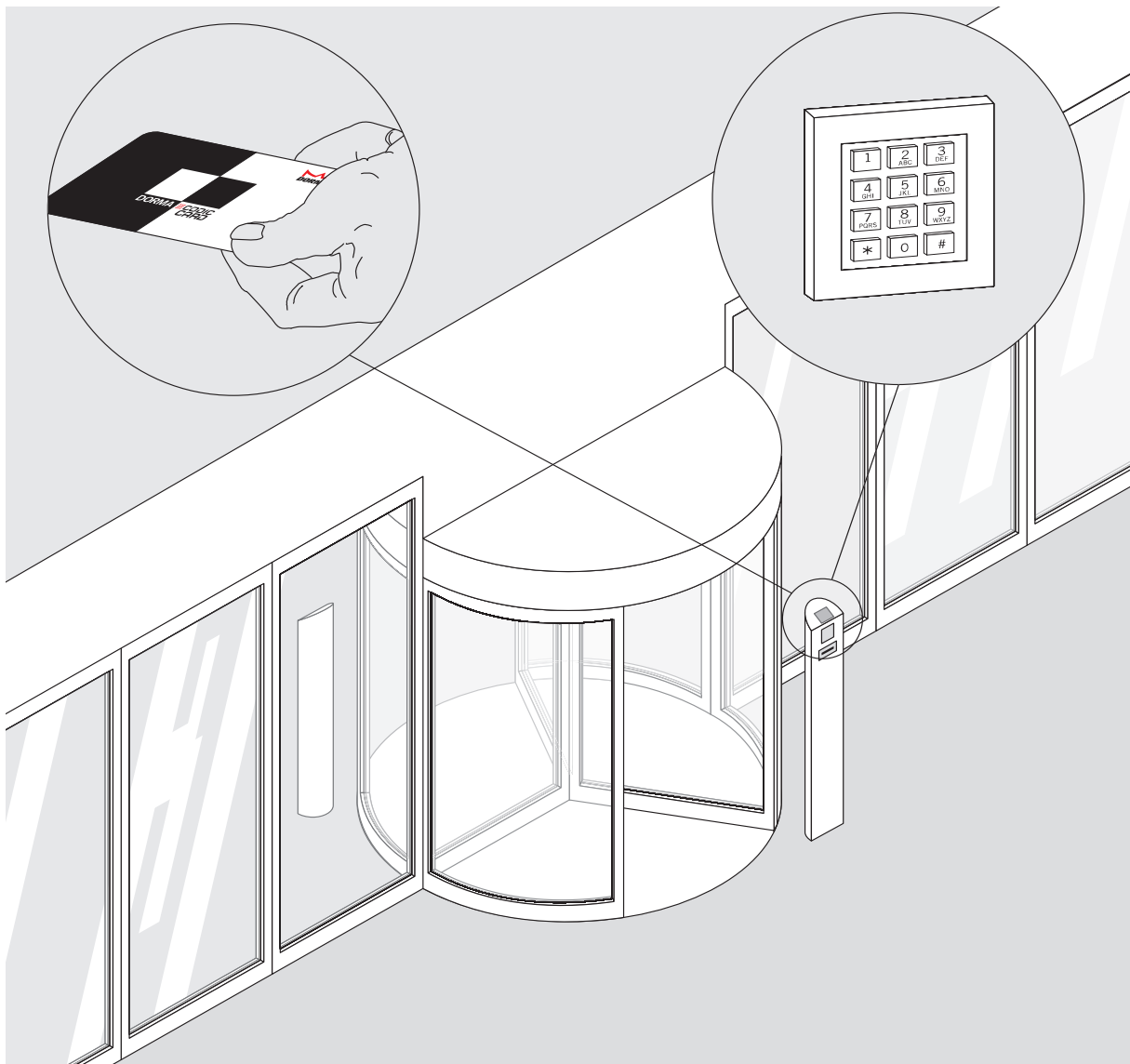
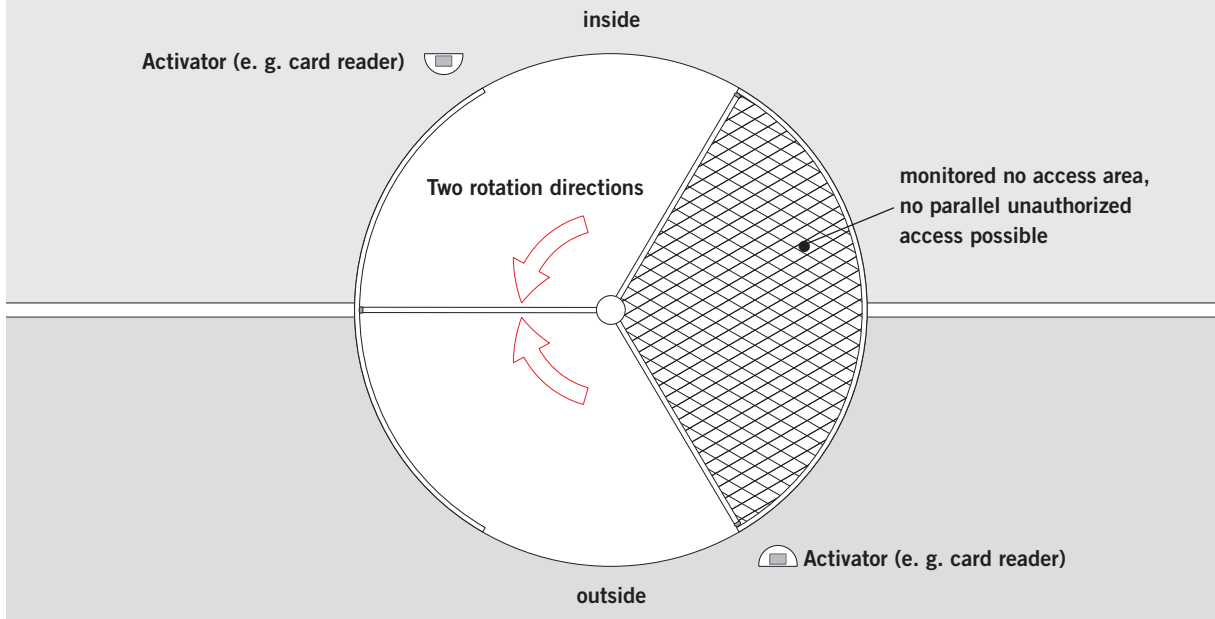
In order to comply with DIN 18650, doors require all below-mentioned safety equipment. (Depending on the users, ⑧ can be left out.)

KTV versions for secured access

DORMA KTV revolving doors can be fitted with security equipment for controlled access depending on their equipment and the prevailing version/configuration.



KTV SECURE



Automatic Division worldwide

DORMA GmbH + Co. KG
Breckerfelder Str. 42-48
D-58256 Ennepetal
Phone +49 23 33/793-0
Fax +49 23 33/793-495

Region Australia

AUS, NZ
 Australia
 DORMA Automatics Pty. Ltd.
 Phone +61 3 97964111
 www.dorma.com.au

New Zealand
 DORMA Automatics Pty. Ltd.
 Phone +61 3 97964111
 www.dorma.com.au

Region Central Europe

D, NL, B, LX, CH
 Germany
 Automatic D
 Phone +49 2333 793-0
 www.dorma.de

Netherlands
 DORMA van Duin Nederland BV
 Phone +31 488 418 100
 www.dorma.nl

Belgium
 DORMA foquin N.V./S.A.
 Phone +32 50 312849
 www.dorma.be

Luxembourg
 Luxembourg Subsidiary Automatic
 Phone +49 2333 793-216
 www.dorma.de

Switzerland
 DORMA Schweiz AG
 Phone +41 71 8864646
 www.dorma.ch

Region Emerging Markets

P, RUS, UA, BG, GR, TR, IND, IL, RSA
 Poland
 DORMA Polska Sp. z o.o.
 Phone +48 22 736-59-00
 www.dorma.pl

Russia
 Representative Office in Russia
 Phone +7 095 2581225
 www.dorma.com

Ukraine
 DORMA Representation Ukraine
 Phone +380 44 2443897
 www.dorma.com

Bulgaria
 DORMA Bulgaria
 Phone +359 2 9714 904
 www.dorma.com

Greece
 DORMA Representation Greece
 Phone: +30 21 09944388
 www.dorma.com

Turkey
 DORMA Kapi Kontrolleri Ltd. Sti
 Phone: +90 216 3600056
 www.dorma.com

India
 DORMA Door Controls India
 Phone +91 442 8585097
 www.dorma.com

Israel
 DORMA GmbH + Co. KG
 Phone +49 2333 793-0
 www.dorma.com

South Africa
 DORMA Door Controls (Pty.) Ltd
 Phone +27 11 8300280
 www.dorma.com

Region Far East

SGP, HK, VRC, RC, MAL, RI, RP, ROK, VN, J
 Singapore
 DORMA Far East Pte. Ltd.
 No. 31 Gul Lane
 Phone +65 62 68 76 33
 www.dorma.com.sg

Hong Kong
 DORMA Door Controls Pte. Ltd.
 Phone +852 25034632
 www.dorma.com.sg

China
 DORMA Door Controls (Suzhou)
 Co. Ltd.
 Phone +86 512 676 12481
 www.dorma.com.sg

Taiwan
 DORMA Door Controls Pte. Ltd.
 Phone +886 2 9182987
 www.dorma.com.sg

Malaysia
 DORMA Emerald Entrance Systems
 Pte Ltd
 Phone +65 459 5733
 www.dorma.com.sg

Indonesia
 DORMA Emerald Entrance Systems
 Pte Ltd
 Phone +65 459 5733
 www.dorma.com.sg

South Korea
 DORMA Emerald Entrance Systems
 Pte Ltd
 Phone +65 459 5733
 www.dorma.com.sg

Philippines
 DORMA Door Controls Pte. Ltd.
 Phone +632 893 40778
 www.dorma.com.sg

Vietnam
 DORMA Emerald Entrance Systems
 Pte Ltd
 Phone +65 459 5733
 www.dorma.com.sg

Japan
 DORMA Emerald Entrance Systems
 Pte Ltd
 Phone +65 459 5733
 www.dorma.com.sg

Region France

F
 France
 DORMA Accueil S. A. S.
 Phone +33 4 79348924
 www.dorma.fr

Region Gulf

Saudi Arabia, Bahrain, Kuwait, Egypt, Syria, Jordan, Lebanon, Iran
 DORMA ARABIA
 Automatic Doors Ltd.
 Kingdom of Saudi Arabia
 Phone +966 3 847 2394
 www.dorma.com

United Arab Emirates, Oman, Qatar
 DORMA Middle East LLC
 Dubai
 Phone +971 4 282 4424
 www.dorma.com

Region North America

USA, CDN, MEX
 USA
 DORMA Automatics Inc.
 Phone +1 301 390-3600
 www.dorma-usa.com

Canada
 DORMA Door Controls
 Phone +1 905 6701281
 www.dorma.com

Mexico
 DORMA México, S. de R.L. de C.V.
 Phone +52 55 5272 6937
 www.dorma.com

Region Scanbalt

N, S, DK, FIN, LV, EST, LT

Norway
 DORMA Norge A/S
 Phone +47 23 176800
 www.dorma.no

Sweden
 DORMA Sverige AB
 Phone +46 31 289520
 www.dorma.se

Denmark
 DORMA Danmark A/S
 Phone +45 44 543000
 www.dorma.dk

Finland
 DORMA Finland Oy
 Phone +358 9 8789130
 www.dorma.fi

Latvia
 DORMA Finland Oy
 Phone +358 9 8789130
 www.dorma.fi

Estonia
 DORMA Representation Estonia
 Phone +372 6707064
 www.dorma.com

Lithuania
 DORMA Norge AS
 Phone +47 23 176800
 www.dorma.com

Region South America

BR, RA
 Brazil
 DORMA Sistemas de Controles
 Phone +55 11 41913244
 www.dorma.com.br

Argentina
 DORMA Sistemas de Controles para Portas Ltda
 Phone +54 11 45051032
 www.dorma.com

Region South-East Europe

A, H, CZ, CS, HR, SLO, RO
 Austria
 DORMA AKS Automatic GmbH
 Phone +43 6225 8636-0
 www.dorma.at

Hungary
 DORMA AKS Automatic GmbH
 Phone +36 1 2065127 or 2058058
 www.dorma.com

Czech Republik
 DORMA dverni technika CR, s.r.o.
 Phone +420 2 671321-78 or -79
 www.dorma.com

Slovakia
 DORMA Slovensko spol. s.r.o.
 Phone +421 2 50221 283
 www.dorma.com

Croatia
 DORMA URED
 Phone +385 1 3498 422
 www.dorma.com

Slovenia
 DORMA Representation Slovenia
 Phone +386 2 5 30 20 10
 www.dorma.com

Romania
 DORMA S.R.L. Romania
 Phone +40 31 806 916 0
 www.dorma.com

Region South Europe

I, E, P
 Italy
 DORMA Italiana S.r.l.
 Phone: +39 039 244031
 www.dorma.it

Spain
 DORMA Ibérica, S.A.
 Phone +34 91 8757851
 www.dorma.es

Portugal
 DORMA Portugal para Portas, Lda.
 Phone +351 252 860 490
 www.dorma.com

Region UK/Ireland

GB, IRL
 Great Britain
 DORMA UK Limited
 Phone +44 1462 477600
 www.dorma-uk.co.uk

Ireland
 DORMA Ireland Limited
 Phone +353 1 295 8280
 www.dorma.com

www.dorma.com



Door Control



Automatic



Glass Fittings and Accessories



Security/Time and Access (STA)



Movable Walls