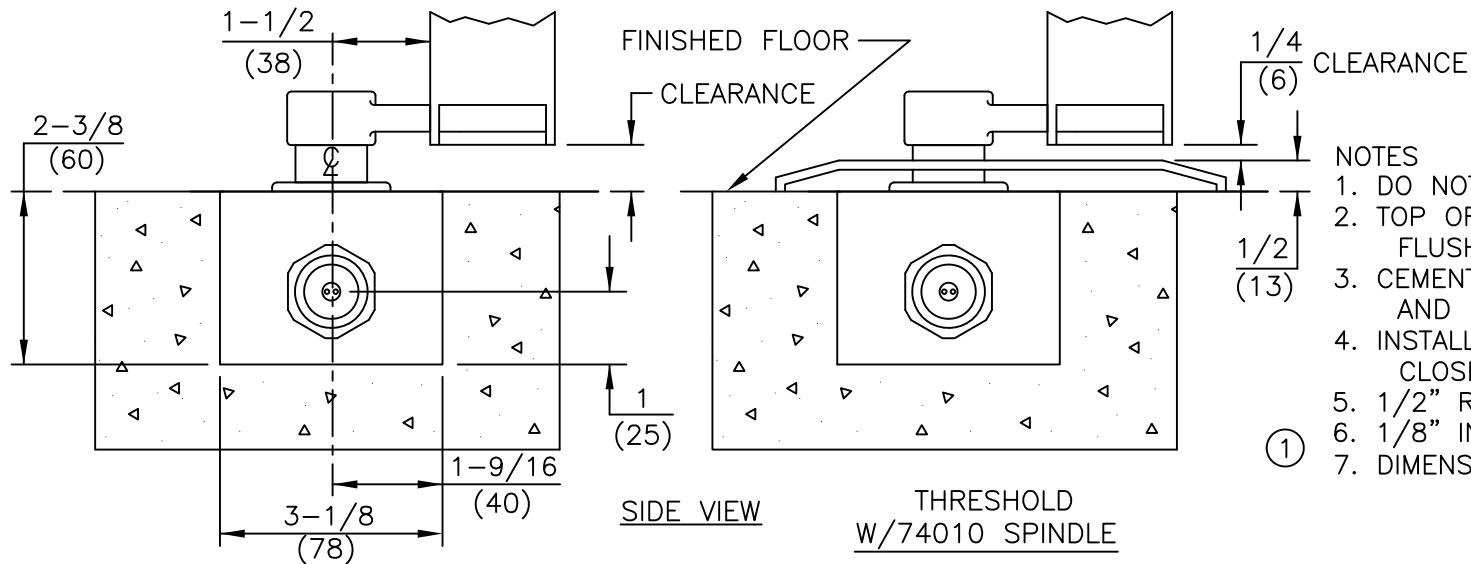


SPINDLE NO.	CLEARANCE
74003	5/16"
74005	1/2"
74007	5/8"
(STD.)74010	3/4"
74012	13/16"
74015	7/8"
74020	1-1/8"
74025	1-5/16"
74030	1-1/2"
74035	1-11/16"
74040	1-7/8"
74045	2-1/16"
74050	2-5/16"



**NOTES**

1. DO NOT SCALE DRAWING.
2. TOP OF CEMENT CASE MUST BE FLUSH WITH FINISH FLOOR LINE.
3. CEMENT CASE MUST BE LEVEL AND PARALLEL TO FRAME.
4. INSTALL CEMENT CASE WITH CLOSER CENTERED IN CASE.
5. 1/2" RIGID CONDUIT BY OTHERS.
6. 1/8" INSET INSTALLATION SHOWN.
7. DIMENSIONS ARE IN INCHES/(MM).

FLOOR CLOSER MODELS: BTS 80EMB/C  
 1-1/2" OFFSET  
 CEMENT CASE PLACEMENT



dormakaba USA, INC.  
 800 523 8483