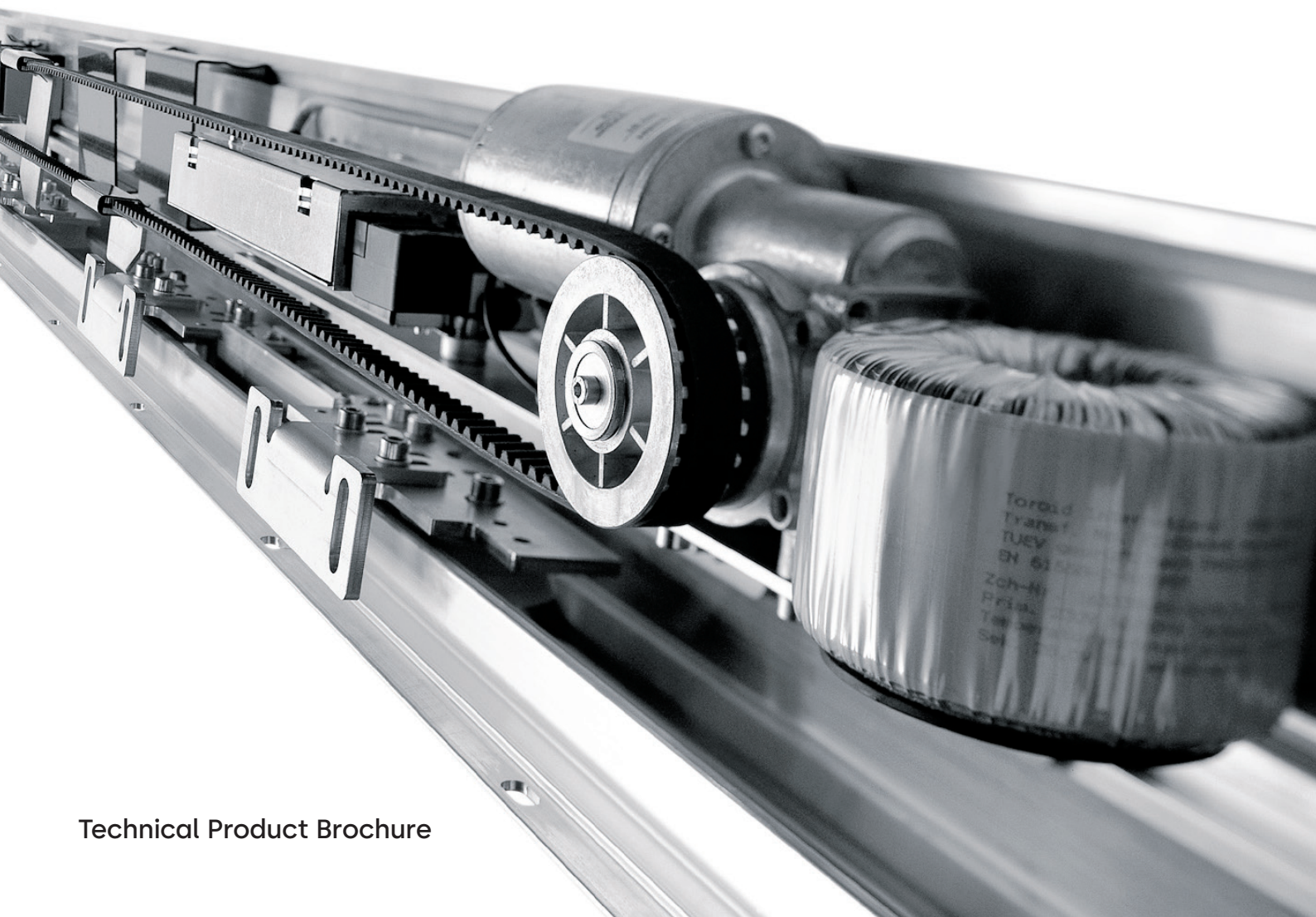


ES 200 T

Telescopic Sliding door operator



Large passage capacity with a small but powerful operator

Outstanding solutions for tight spaces.

ES 200 T automatic telescopic sliding door operators create a large clear passage width despite a relatively narrow aperture, but the reasons for their extensive applicability do not stop there.

The modular system

The modular design of the ES 200 T provides an ideal basis for the implementation of new ideas and individual concepts in the design and construction of sliding door systems. dormakaba has also opened up a new dimension with its control system. Now there is no longer any need to replace components when you want to expand the functionality of your system. In future, "docking" will be the order of the day. The modular control system comprises of the basic control module (BM) and the function module (FM). Consequently, upgrading in accordance with individual customer requirements can be carried out without problem. Particularly impressive is the prefabricated MiniDriveUnit, industrially tested and equipped with all the necessary electrical and electronic components.

Startup with ASP software

The commissioning or initial setting of all standard parameters is done quickly and easily via an integrated display with push buttons on the front of the control. Particularly comfortable is the optional programming with the dormakaba ASP software.

Integrated power

With its extra-powerful motor and a dynamic acceleration/ deceleration (operating curve) control capability, the integrated PowerDrive system ensures safe and reliable operation and it can readily cope with sliding door weights of up to 4 x 75 kg per door panel.

Exceptional cost-efficiency

With the ES 200 T, dormakaba offers a drive system of modular design capable of covering every application on the basis of just a few components. The system offers easy assembly and installation, reduced storage and stocking costs, and simple maintenance for enhanced operational cost efficiency.

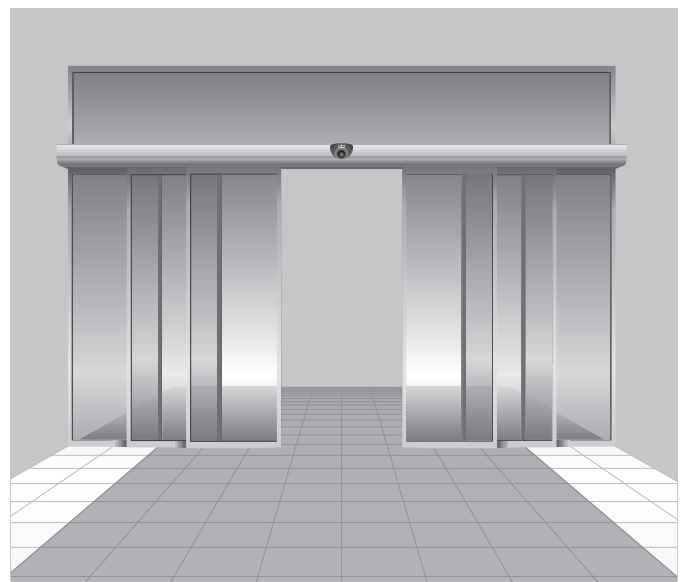
A system for the future

With this system you are investing in the future. You also have the security derived from our decades of experience in the automatics business – a history that sets dormakaba apart as the market leader in drive and control systems for doors. The ES 200 T corresponds to all the latest European and German standards and safety regulations.

The required safety devices according to DIN 18650 (Germany) and EN16005:2012 result from the respective risk assessment.

Features and advantages

- Modular, flexible system.
- With dormakaba PowerDrive: Dynamically controlled acceleration and deceleration curves for particularly powerful operation – and with emergency power backup in the form of a rechargeable battery pack.
- Industrially prefabricated and tested **MiniDriveUnit**.
- Modular control system upgradeable with additional functional modules.
- Integrated DCW (dormakaba Connect and Work) bus system for easy integration of dormakaba DCW sensors and actuators.
- Can be combined with all customary door profiles.
- Fully comprehensive range of accessories.
- Reliable investment due to compliance with all relevant European and German standards.



Door parameters		ES 200 T
Application in emergency exits and escape routes		
2-panel sliding door	– Clear passage width LW – Door panel weight max.	800 – 2400 mm 2 x 75 kg
4-panel sliding door	– Clear passage width LW – Door panel weight max.	1400 – 4000 mm 4 x 75 kg
Clear passage height*		2100 – 3200 mm
*Other dimensions on request.		
Technical data of operator		ES 200 T
Height	100 und 150 mm	●
Overall depth	252 mm	●
Opening and closing force	max. 150 N	●
Opening speed (incremental setting)		10 – 70 cm/s
Closing speed (incremental setting)		10 – 50 cm/s
Hold-open time		0 – 180 sec.
Mains voltage, frequency	230 V, 50/60 Hz	●
Power supply		250 W
Class of protection	IP 20	●
Compliant with EU low-voltage directives		●
Manufactured to ISO 9001:2000		●
Basic module (BM)		ES 200 T
Modular design		●
Microprocessor-controlled function programs	– Off – Automatic – Permanent opening – Partial opening – Exit only – Night-bank control	● ● ● ● ● ●
Connections for electro-mechanical locking on light barriers		●
Adjustment of all basic parameters via integrated display and pushbuttons		●
PDA Organizer parameter setting		●
24 V output for external loads		●
Read-out error memory with error codes		●
DCW®-bus interface		●
Rechargeable battery pack for emergency operation		○
Function module (FM) – optional extra		ES 200 T
Pharmacy control		○
Door status control (triple-mode)		○
Main and secondary closing edge protection		○
Emergency closing function		○
Bell contact		○
Airlock control		○
Synchronising mode		○
DIN 18650 function module – optional		ES 200 T
The DIN 18650 function module enables the tested monitoring of the secondary closing edges in order to comply with the German standard DIN 18650.		○
Additional equipment		ES 200 T
Electro-mechanical locking (bistabil)		○
Manual release of electro-mechanical locking		○
Light barriers		○
Backup battery pack (emergency opening, emergency closing) (ES 200 T-2D standard)		○
Module for coupling to EIB or LON building control systems		○

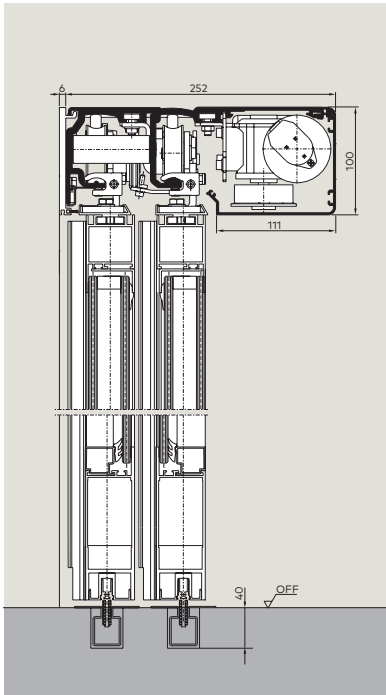
● standard ○ optional – not available

ES 200 T

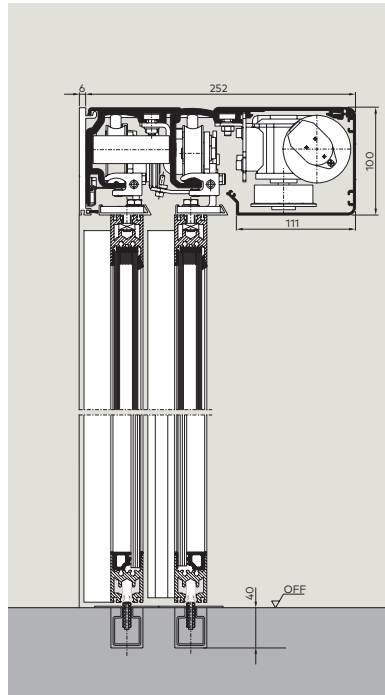
The performance operator for generous passage widths

dormakaba PowerDrive System for particularly punchy performance

Door variants, 100 mm overall height

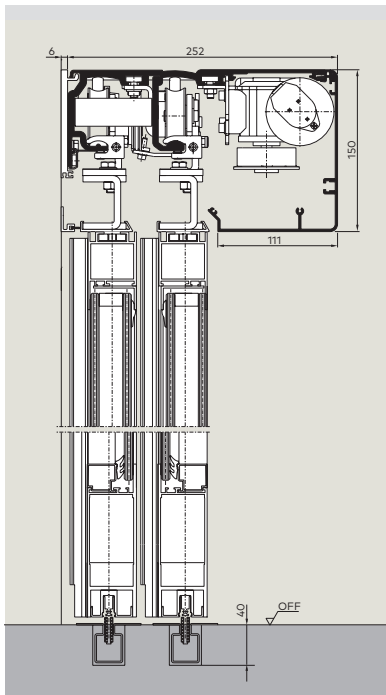


with fine frame profiles with side screen

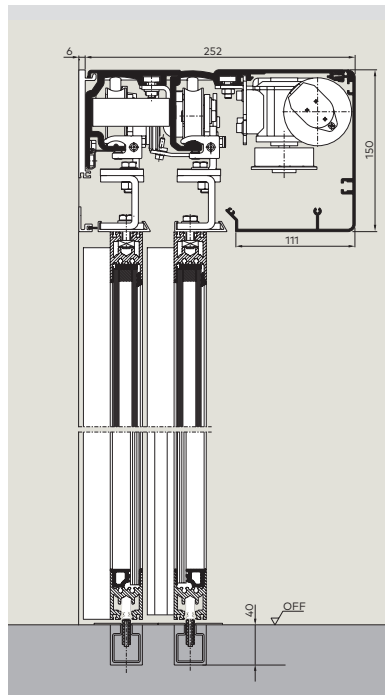


with fine frame profiles without side screen

Door variants, 150 mm overall height

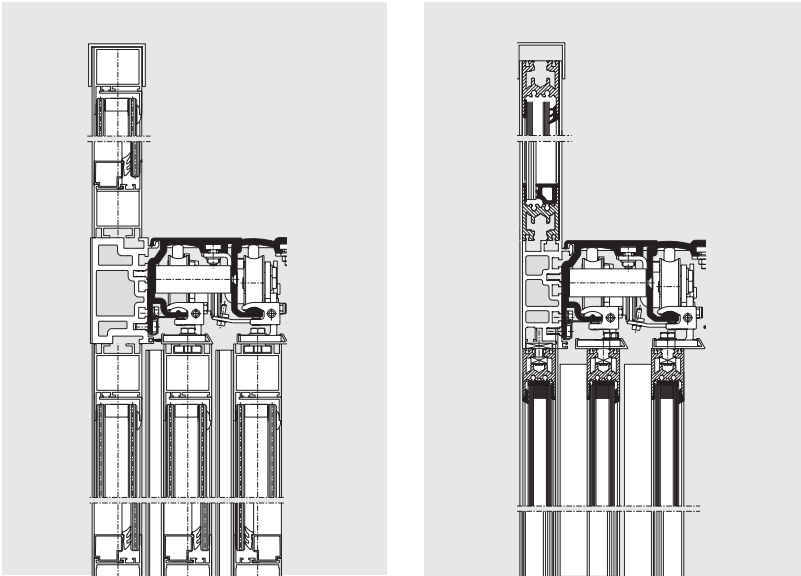


with fine frame profiles with side screen



with fine frame profiles without side screen

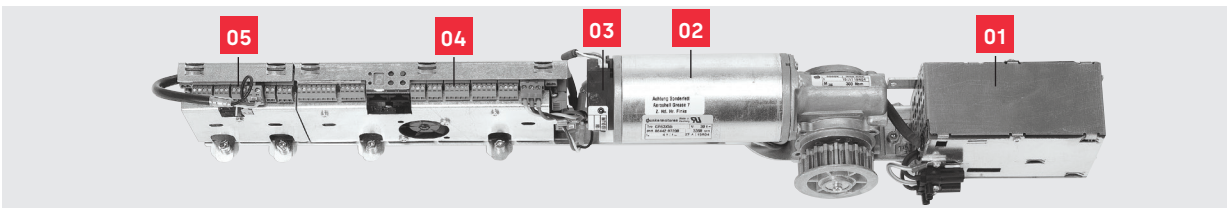
Door variant for use with skylights and side panels



At the heart of the ES 200 T operator is a preassembled MiniDriveUnit (MDU).

It has been industrially tested with all the necessary electrical components and, as a handy single unit, greatly facilitates the installation and maintenance of operator assemblies.

MiniDriveUnit (MDU) Standard



Components

- 1 Power supply unit
- 2 Motor
- 3 Decoder





- 4 Basic control module (BM)
- 5 Function module (FM)

Program switches




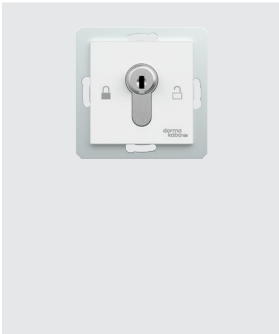

When combining the system with a program switch out of the dormakaba accessory range, the automatic door system meets individual requirements and offers easy handling. Program switches are available in various designs and have been conceived for all kinds of demands.

Furthermore they offer various options, from a mechanical to a full-electronic version alternatively also lockable via Euro profile half-cylinder or in a full-electronic way via code.

- Up to 5 different functions:
Off, Automatic, Exit Only, Partial Open, Permanent Open
- Electronic program switches in System 55 design to cope with the highest aesthetic demands


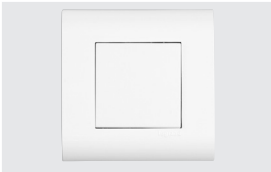
For sliding door operators	Designation	Specification	Installation system	Order No.
	PG-S1	5-position, aluminium, white, UP, 80 x 80 x 40 mm	Gira S-Color	19135401150
	PG-S2	5-position, lockable, aluminium, white, flush-mounting, 80 x 80 x 40 mm	Gira S-Color	19135602150
	PG-FST2	5-position, lockable via Euro profile half-cylinder, also suitable for FST systems, aluminium, white, for flush-mounting, 105 x 80 x 65 mm Box for surface-mounting: 19142201170	Deutsche Solenoid	19135602150
	EPS-S	Full-electronic program switch in System 55 design, 5-position, lockable via code or additional key switch TL-ST S55, membrane keypad, aluminium-coloured, white, flush-mounting, 80 x 80 mm	System 55	16556901150

Pushbuttons




Pushbutton	Designation	Specification	Installation system	Order No.
		Single-pole changeover contact, standard frame, white, flush-mounting	System 55	19144701170
Key switch	Designation	Specification	Installation system	Order No.
	KT 3-1	1 NO contact, with Euro profile half-cylinder (can be replaced by any half-cylinder of a master-key system), you can only withdraw the key when it is in zero position, aluminium, metal, 75 x 75 x 60 mm		
	KT 3-1 UP	flush-mounting		05054531332
	KT 3-1 AP	surface-mounting		05054631332
	KT 8	Lettering "Auf, Zu" (German for "Open/Closed"), 2 NO contacts, with Euro profile half-cylinder (can be replaced by any master-key system half-cylinder), key only retractable in neutral position, aluminium, metal, 75 x 75 x 60 mm		
	KT 8 UP	flush-mounting		05054831332
	KT 8 AP	surface-mounting		05054931332
	Key switch TL-ST key switch out of STA range			
	TL-ST S55	Switch with single-pole changeover contact, for Euro profile half-cylinder by others to DIN 18252, locking cam centre 30 – 32.5 mm, overall length 40.5 – 43,5 mm, Locking cam position left (90°), incl. cover for System 55, not suitable for box for surface-mounting, not including Euro profile half-cylinder, not including frame		
	TL-ST S55 W	white	System 55	56330710
	TL-ST S55 S	silver	System 55	56330701
TL-ST S55 A	anthracite	System 55	56330715	
	KT 3-2	1 NO contact with Euro profile half-cylinder, can be replaced by any master key system half-cylinder, key only retractable in neutral position, interchangeable cover, lettering "Ein, Aus" (German for "On/Off"), aluminium, for flush-mounting: 125 x 100 mm, for surface-mounting: 70 x 90 mm		05054731332
	KT 3-2.1*	2 changeover contacts, with Euro profile half-cylinder, replaceable by any master-key system half-cylinder, key only retractable in neutral position, lettering "Ein, Aus" (German for "On/Off"), aluminium, for flush-mounting: 125 x 100 mm, for surface mounting: 70 x 90 mm		05032631332

* no illustration

Switches

Switches	Designation	Specification	Installation system	Order No.
	On / Off switch	white, aluminium, flush-mounting, 80 x 80 mm	Gira S-Color	19135403150
	Radar switch	"MAGIC SWITCH", proximity-type radar switch responds to movement, for flush-mounting,		4020009048


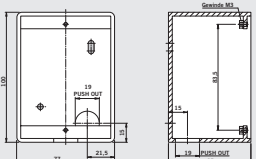
Emergency pushbutton

Emergency pushbutton	Designation	Specification	Installation system	Order No.
		To interrupt the automatic movement of the door. Emergency pushbutton (Function: Emergency Off) for automatic door operators. Manufactured according to ZH 1/494 (German Guidelines for power-operated windows, doors and gates) and BGR 232 (German Employer's Liability Insurance Association Rule) as well as DIN 18650 (German Industrial Standard). Red knob with yellow centre insert. Maximum load current: max. 10 A at 230 V AC.		
	NAT 1	NO contact: 1, NC contact: 1, white frame, flush-mounting, 80 x 80 mm	System 55	90400025
	NAT 2*	Function: "Emergency Open" with green knob, NO contact: 1, NC contact: 1, Maximum load current: 10 A at 230 V AC, white frame, flush-mounting, 80 x 80 mm Highly-illuminated emergency pushbutton environment with visual locking status indication, optical and acoustic alarm via yellow flashlight and integrated alarm siren, sabotage-proof, behind glass, not including frame	System 55	90400035
	TL-N S55	NO contact: 1, NC contact: 1, Maximum load current: 1 A at 24 V DC, flush-mounting, 80 x 80 mm	System 55	56330500
	NAT 3*	Behind glass, NO contact: 1, NC contact: 1 for flush-mounting, 120 x 87 mm		90400023
	NAT 4	NO contact: 1, NC contact: 1, for surface-mounting, 68 x 68 mm		05027031332

* no illustration

Frames and boxes

for surface-mounted pushbuttons and switches

Frames	Designation	Specification	All dimensions in mm W x H x D	Installation system	Order No.	
	System 55	Cover frame (STA range)				
	FR-S55 1	Single-type frame, Standard 55, white	80.7 x 80.7	System 55	56391110	
	FR-S55 2	Double-type frame, Standard 55, white	151.8 x 80.7	System 55	56391210	
	FR-S55 3	Triple-type frame, Standard 55, white	223.3 x 80.7	System 55	56391310	
	FR-E2W 1	Single-type frame, E2 55, white	80.8 x 80.8	System 55	56392110	
	FR-E2W 2	Double-type frame, E2 55, white	151.9 x 80.8	System 55	56392210	
	FR-E2W3	Triple-type frame, E2 55, white	223.4 x 80.8	System 55	56392310	
	FR-E2S 1	Single-type frame, E2 55, silver	80.8 x 80.8	System 55	56392101	
	FR-E2S 2	Double-type frame, E2 55, silver	151.9 x 80.8	System 55	56392201	
	FR-E2S3	Double-type frame, E2 55, silver	223.4 x 80.8	System 55	56392301	
	FR-E2A 1	Single-type frame, E2 55, anthracite	80.8 x 80.8	System 55	56392115	
	FR-E2A 2	Double-type frame, E2 55, anthracite	151.9 x 80.8	System 55	56392215	
	FR-E2A3	Triple-type frame, E2 55, anthracite	223.4 x 80.8	System 55	56392315	
		System 55	Boxes for surface-mounting for Standard 55 frames			
		ST-AP 55-1*	Single-type frame, pure white, RAL 9010	81.0 x 52.5 x 44.5	System 55	515853332
ST-AP 55-2*		Double-type frame, pure white, RAL 9010	152.0 x 81.0 x 44.5	System 55	515863332	
ST-AP 55-3*		Triple-type frame, pure white, RAL 9010	224.0 x 81.0 x 44.5	System 55	515873332	
Box for surface-mounting	Boxes for surface-mounting	For mechanical program switch PG-FST2 with Euro profile half-cylinder Single-type frame, white	100 x 80 x 65	Deutsche Solenoid	19142201170	

Our Sustainability Commitment

We are committed to foster a sustainable development along our entire value chain in line with our economic, environmental and social responsibilities toward current and future generations. Sustainability at product level is an important, future-oriented approach in the field of construction. In order to give quantified disclosures of a product's environmental impact through its entire life cycle, dormakaba provides Environmental Product Declarations (EPD), based on holistic life cycle assessments.

www.dormakaba.com/sustainability



Our offering

Access Automation Solutions

Entrance Automation
Entrance Security



Access Control Solutions

Electronic Access & Data
Escape and Rescue Systems
Lodging Systems



Access Hardware Solutions

Door Closers
Architectural Hardware
Mechanical Key Systems



Services

Technical Support
Installation and commissioning
Maintenance and Repair



WN 05344951532, EN, 10/2023
Subject to change without notice



dormakaba UK & Ireland
T +44 1462 577600
info.gb@dormakaba.com
dormakaba.co.uk