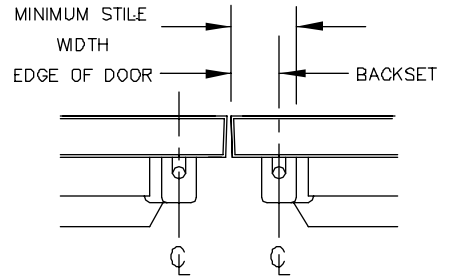
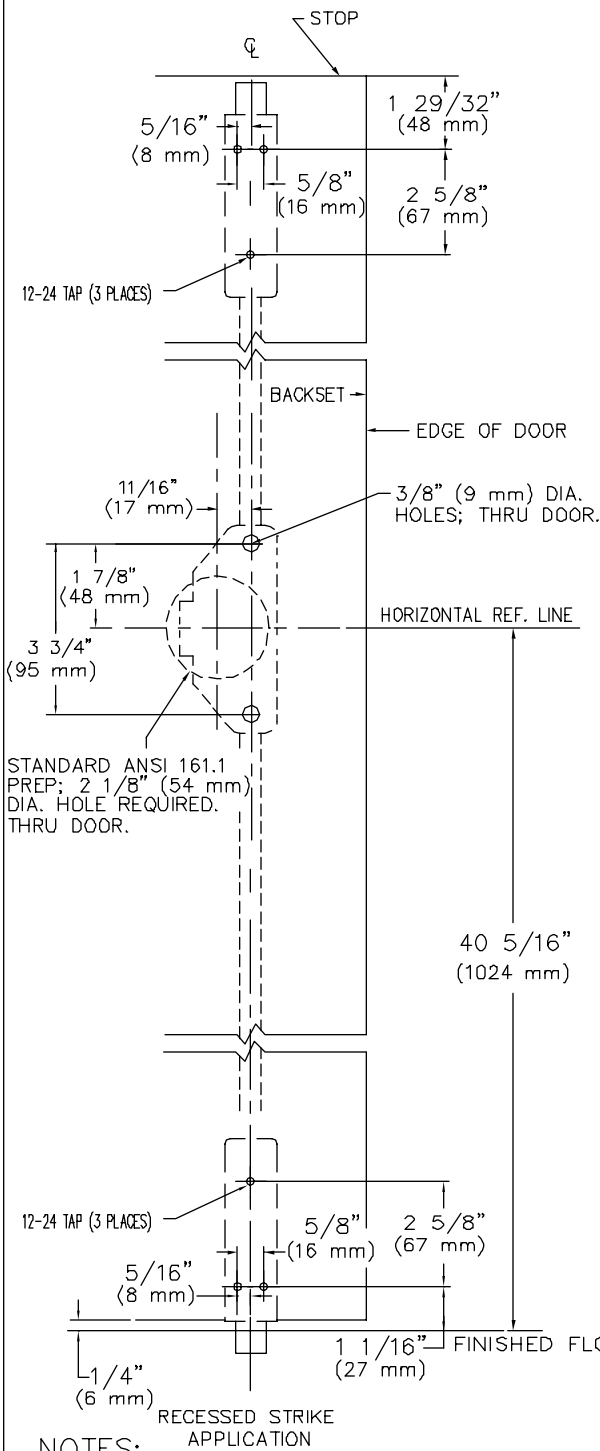


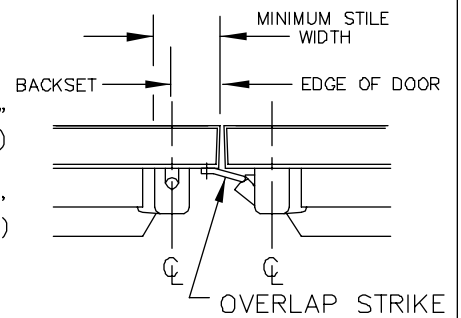
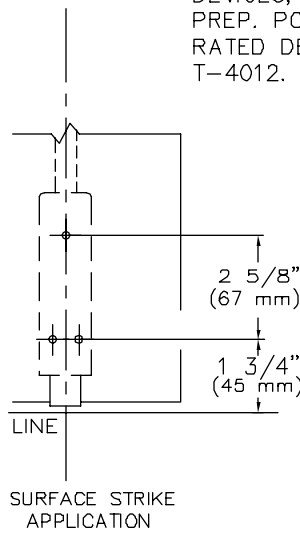
RHR SHOWN
LHR OPPOSITE



	BACKSET	MIN. STILE WIDTH	
		8PDT 8P03	8ODT 8L08
MINIMUM	1 7/8" (48 mm)	3 1/2" (89 mm)	4 5/16" (109 mm)
STANDARD	2 1/16" (52 mm)	3 15/16" (97 mm)	4 1/2" (114 mm)

STANDARD ANSI 161.1
PREP; 2 1/8" (54 mm)
DIA. HOLE REQUIRED.
THRU DOOR.

FOR LESS BOTTOM ROD (LBR)
DEVICES, DELETE BOTTOM LATCH
PREP. POPPER REQUIRED ON FIRE
RATED DEVICE, SEE TEMPLATE
T-4012.



BACKSET	MIN. STILE WIDTH	
	8PDT 8P03	8ODT 8L08
1 5/8" (41 mm)	3 1/2" (89 mm)	4 1/16" (103 mm)

NOTES:

1. SEE MASTER SHEET #T-0001 FOR SUGGESTED DOOR REINFORCEMENT.
2. SEE ADDITIONAL TRIM TEMPLATE WHEN REQUIRED.
3. FOR LBR (LESS BOTTOM ROD) DEVICE, DELETE BOTTOM LATCH PREP.

REV. No. 3

REVISION: Remove Trims

DATE: 4-6-05

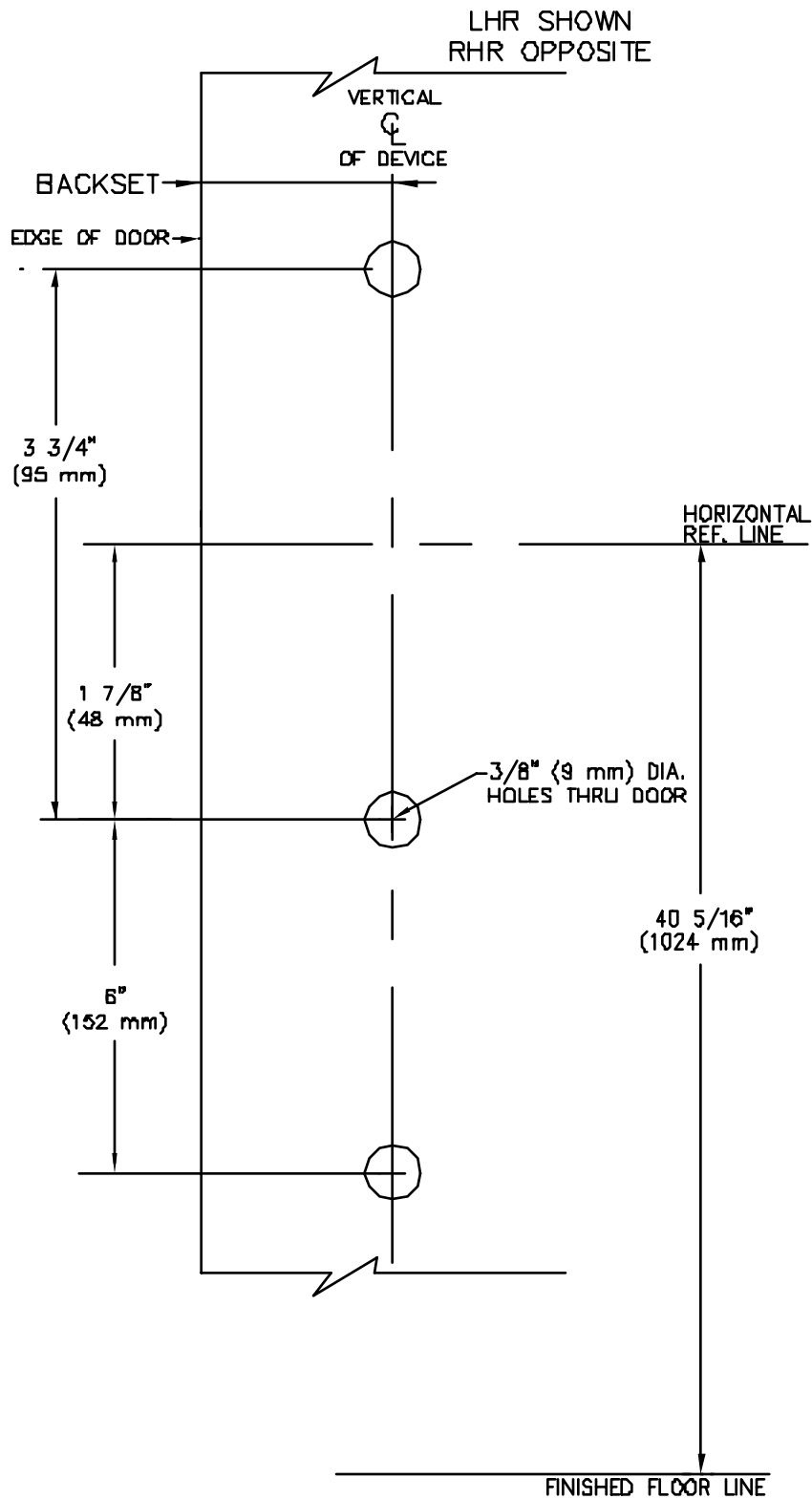


8400 & F8400 x 8ODT
8400 & F8400 x 8PDT
8400 & F8400 x 8P03

TEMPLATE NUMBER

T-1047 ③

VERTICAL ROD TYPE EXIT DEVICE



NOT TO SCALE

NOTES:

1. SEE MASTER SHEET #T-0001 FOR SUGGESTED DOOR REINFORCEMENT.

REV. No. 1

REVISION: ADD NEW BORDER

DATE: 4-25-00



80DTP TRIM

TEMPLATE NUMBER
T-2064①