



6450 Offset Round Entrance Pull Handles

dormakaba's offset round entrance pull handles epitomize the high quality ambitions of the dormakaba brand – designed for excellence down to the very last detail and exuding fine craftsmanship. They offer genuine quality, characterised by clearly defined features – irrespective of shape or size.

Created in solid, premium 316 Marine Grade Stainless Steel offering superior corrosion resistance for internal and external use in high traffic buildings. The offset round section allows comfortable ease of use.

The 6450 offset round entry pull handles are an ideal choice for residential and commercial applications and are suitable for use on glass, timber and aluminium doors.

Features at a glance:

- 316 Marine Grade Stainless Steel
- Designed with your project's needs in mind
- High durability with concealed fixings
- Standard finishes: SSS and PSS
- Powdercoat and custom finishes available on request

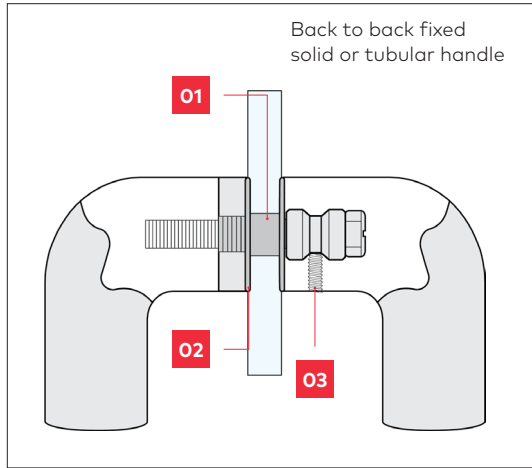
Please refer to ordering details for a range of optional accessories to suit:

- Back to back extended fixing for timber doors
- Back to back fixing for glass doors
- Disc fixing for timber doors
- Disc fixing for glass doors

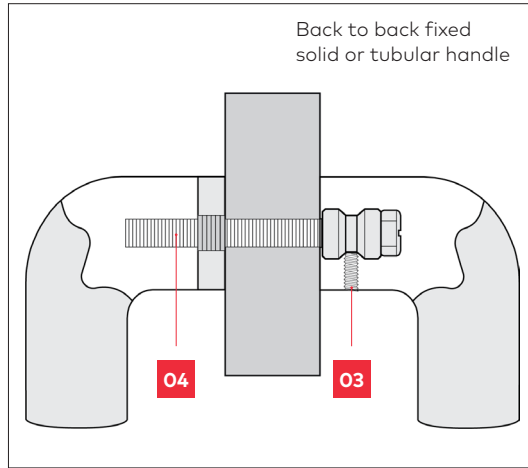
dormakaba Australia
Head Office
12-13 Dansu Court
Hallam VIC 3803
T: 1800 675 411
info.au@dormakaba.com
www.dormakaba.com.au

dormakaba New Zealand
Head Office
Building P, 61-69 Patiki Road
Avondale, Auckland 1026
T: 0800 436 762
info.nz@dormakaba.com
www.dormakaba.co.nz

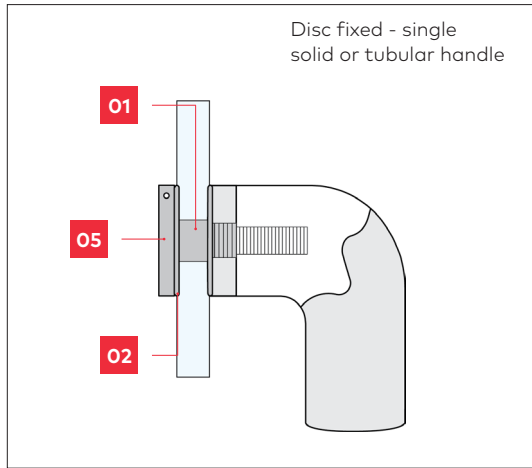
Fixing options



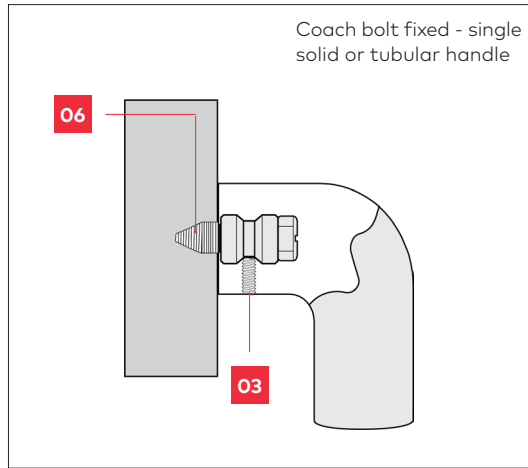
GD FIX - glass doors



TM FIX - timber or metal doors



D FIX - glass, metal or timber doors



C FIX - timber doors only

Note

Nylon spacers and washers are included with handle for glass door fixing option.

Legend

- 01 Spacer
- 02 Washer
- 03 Grub Screw
- 04 Bolt
- 05 Disc
- 06 Coach Bolt

TIMBER DOOR FIXING

Material Size	Bolt Size
14mm Ø	5mm
16mm Ø	5mm
19mm Ø	8mm
25mm Ø	8mm
32mm Ø	8mm

METAL DOOR FIXING

Material Size	Bolt Size
14mm Ø	5mm
16mm Ø	5mm
19mm Ø	8mm
25mm Ø	8mm
32mm Ø	8mm

GLASS DOOR FIXING

Material Size	Bolt Size
14mm Ø	12mm Ø
16mm Ø	12mm Ø
19mm Ø	12mm Ø
25mm Ø	12mm Ø
32mm Ø	12mm Ø

Ordering details

Item	Article Number	Description	Diameter	Projection	Offset	Length	Fixing Centres
BACK TO BACK FIXING							
B6450/A/32/PSS	9457459745102	B6450/A/32 OA 2400 CTC 2240 PSS	32mm	52mm	95mm	2400mm	2240mm
B6450/A/32/SSS	9457459745101	B6450/A/32 OA 2400 CTC 2240 SSS	32mm	52mm	95mm	2400mm	2240mm
B6450/B/32/PSS	9457459625102	B6450/B/32 OA 2300 CTC 2140 PSS	32mm	52mm	95mm	2300mm	2140mm
B6450/B/32/SSS	9457459625101	B6450/B/32 OA 2300 CTC 2140 SSS	32mm	52mm	95mm	2300mm	2140mm
B6450/C/32/PSS	9457459505102	B6450/C/32 OA 2200 CTC 2040 PSS	32mm	52mm	95mm	2200mm	2040mm
B6450/C/32/SSS	9457459505101	B6450/C/32 OA 2200 CTC 2040 SSS	32mm	52mm	95mm	2200mm	2040mm
B6450/D/32/PSS	9457459325102	B6450/D/32 OA 2100 CTC 1940 PSS	32mm	52mm	95mm	2100mm	1940mm
B6450/D/32/SSS	9457459325101	B6450/D/32 OA 2100 CTC 1940 SSS	32mm	52mm	95mm	2100mm	1940mm
B6450/E/32/PSS	9457459145102	B6450/E/32 OA 2000 CTC 1840 PSS	32mm	52mm	95mm	2000mm	1840mm
B6450/E/32/SSS	9457459145101	B6450/E/32 OA 2000 CTC 1840 SSS	32mm	52mm	95mm	2000mm	1840mm
B6450/F/32/PSS	9457458995102	B6450/F/32 OA 1900 CTC 1740 PSS	32mm	52mm	95mm	1900mm	1740mm
B6450/F/32/SSS	9457458995101	B6450/F/32 OA 1900 CTC 1740 SSS	32mm	52mm	95mm	1900mm	1740mm
B6450/G/19/PSS	9457458813102	B6450/G/19 OA 1800 CTC 1640 PSS	19mm	65mm	95mm	1800mm	1640mm
B6450/G/19/SSS	9457458813101	B6450/G/19 OA 1800 CTC 1640 SSS	19mm	65mm	95mm	1800mm	1640mm
B6450/G/25/PSS	9457458814102	B6450/G/25 OA 1800 CTC 1640 PSS	25mm	59mm	95mm	1800mm	1640mm
B6450/G/25/SSS	9457458814101	B6450/G/25 OA 1800 CTC 1640 SSS	25mm	59mm	95mm	1800mm	1640mm
B6450/G/32/PSS	9457458815102	B6450/G/32 OA 1800 CTC 1640 PSS	32mm	52mm	95mm	1800mm	1640mm
B6450/G/32/SSS	9457458815101	B6450/G/32 OA 1800 CTC 1640 SSS	32mm	52mm	95mm	1800mm	1640mm
B6450/H/19/PSS	9457458603102	B6450/H/19 OA 1700 CTC 1540 PSS	19mm	65mm	95mm	1700mm	1540mm
B6450/H/19/SSS	9457458603101	B6450/H/19 OA 1700 CTC 1540 SSS	19mm	65mm	95mm	1700mm	1540mm
B6450/H/25/PSS	9457458604102	B6450/H/25 OA 1700 CTC 1540 PSS	25mm	59mm	95mm	1700mm	1540mm
B6450/H/25/SSS	9457458604101	B6450/H/25 OA 1700 CTC 1540 SSS	25mm	59mm	95mm	1700mm	1540mm
B6450/H/32/PSS	9457458605102	B6450/H/32 OA 1700 CTC 1540 PSS	32mm	52mm	95mm	1700mm	1540mm
B6450/H/32/SSS	9457458605101	B6450/H/32 OA 1700 CTC 1540 SSS	32mm	52mm	95mm	1700mm	1540mm
B6450/I/19/PSS	9457458273102	B6450/I/19 OA 1600 CTC 1440 PSS	19mm	65mm	95mm	1600mm	1440mm
B6450/I/19/SSS	9457458273101	B6450/I/19 OA 1600 CTC 1440 SSS	19mm	65mm	95mm	1600mm	1440mm
B6450/I/25/PSS	9457458274102	B6450/I/25 OA 1600 CTC 1440 PSS	25mm	59mm	95mm	1600mm	1440mm
B6450/I/25/SSS	9457458274101	B6450/I/25 OA 1600 CTC 1440 SSS	25mm	59mm	95mm	1600mm	1440mm
B6450/I/32/PSS	9457458275102	B6450/I/32 OA 1600 CTC 1440 PSS	32mm	52mm	95mm	1600mm	1440mm
B6450/I/32/SSS	9457458275101	B6450/I/32 OA 1600 CTC 1440 SSS	32mm	52mm	95mm	1600mm	1440mm
B6450/J/19/PSS	9457457943102	B6450/J/19 OA 1500 CTC 1340 PSS	19mm	65mm	95mm	1500mm	1340mm
B6450/J/19/SSS	9457457943101	B6450/J/19 OA 1500 CTC 1340 SSS	19mm	65mm	95mm	1500mm	1340mm
B6450/J/25/PSS	9457457944102	B6450/J/25 OA 1500 CTC 1340 PSS	25mm	59mm	95mm	1500mm	1340mm
B6450/J/25/SSS	9457457944101	B6450/J/25 OA 1500 CTC 1340 SSS	25mm	59mm	95mm	1500mm	1340mm
B6450/J/32/PSS	9457457945102	B6450/J/32 OA 1500 CTC 1340 PSS	32mm	52mm	95mm	1500mm	1340mm
B6450/J/32/SSS	9457457945101	B6450/J/32 OA 1500 CTC 1340 SSS	32mm	52mm	95mm	1500mm	1340mm
B6450/K/19/PSS	9457457613102	B6450/K/19 OA 1400 CTC 1240 PSS	19mm	65mm	95mm	1400mm	1240mm
B6450/K/19/SSS	9457457613101	B6450/K/19 OA 1400 CTC 1240 SSS	19mm	65mm	95mm	1400mm	1240mm

Ordering details

Item	Article Number	Description	Diameter	Projection	Offset	Length	Fixing Centres
B6450/K/25/PSS	9457457614102	B6450/K/25 OA 1400 CTC 1240 PSS	25mm	59mm	95mm	1400mm	1240mm
B6450/K/25/SSS	9457457614101	B6450/K/25 OA 1400 CTC 1240 SSS	25mm	59mm	95mm	1400mm	1240mm
B6450/K/32/PSS	9457457615102	B6450/K/32 OA 1400 CTC 1240 PSS	32mm	52mm	95mm	1400mm	1240mm
B6450/K/32/SSS	9457457615101	B6450/K/32 OA 1400 CTC 1240 SSS	32mm	52mm	95mm	1400mm	1240mm
B6450/L/19/PSS	9457457223102	B6450/L/19 OA 1300 CTC 1140 PSS	19mm	65mm	95mm	1300mm	1140mm
B6450/L/19/SSS	9457457223101	B6450/L/19 OA 1300 CTC 1140 SSS	19mm	65mm	95mm	1300mm	1140mm
B6450/L/25/PSS	9457457224102	B6450/L/25 OA 1300 CTC 1140 PSS	25mm	59mm	95mm	1300mm	1140mm
B6450/L/25/SSS	9457457224101	B6450/L/25 OA 1300 CTC 1140 SSS	25mm	59mm	95mm	1300mm	1140mm
B6450/L/32/PSS	9457457225102	B6450/L/32 OA 1300 CTC 1140 PSS	32mm	52mm	95mm	1300mm	1140mm
B6450/L/32/SSS	9457457225101	B6450/L/32 OA 1300 CTC 1140 SSS	32mm	52mm	95mm	1300mm	1140mm
B6450/M/19/PSS	9457456893102	B6450/M/19 OA 1200 CTC 1040 PSS	19mm	65mm	95mm	1200mm	1040mm
B6450/M/19/SSS	9457456893101	B6450/M/19 OA 1200 CTC 1040 SSS	19mm	65mm	95mm	1200mm	1040mm
B6450/M/25/PSS	9457456894102	B6450/M/25 OA 1200 CTC 1040 PSS	25mm	59mm	95mm	1200mm	1040mm
B6450/M/25/SSS	9457456894101	B6450/M/25 OA 1200 CTC 1040 SSS	25mm	59mm	95mm	1200mm	1040mm
B6450/M/32/PSS	9457456895102	B6450/M/32 OA 1200 CTC 1040 PSS	32mm	52mm	95mm	1200mm	1040mm
B6450/M/32/SSS	9457456895101	B6450/M/32 OA 1200 CTC 1040 SSS	32mm	52mm	95mm	1200mm	1040mm
B6450/N/19/PSS	9457456473102	B6450/N/19 OA 1100 CTC 940 PSS	19mm	65mm	95mm	1100mm	940mm
B6450/N/19/SSS	9457456473101	B6450/N/19 OA 1100 CTC 940 SSS	19mm	65mm	95mm	1100mm	940mm
B6450/N/25/PSS	9457456474102	B6450/N/25 OA 1100 CTC 940 PSS	25mm	59mm	95mm	1100mm	940mm
B6450/N/25/SSS	9457456474101	B6450/N/25 OA 1100 CTC 940 SSS	25mm	59mm	95mm	1100mm	940mm
B6450/N/32/PSS	9457456475102	B6450/N/32 OA 1100 CTC 940 PSS	32mm	52mm	95mm	1100mm	940mm
B6450/N/32/SSS	9457456475101	B6450/N/32 OA 1100 CTC 940 SSS	32mm	52mm	95mm	1100mm	940mm
B6450/O/19/PSS	9457456083102	B6450/O/19 OA 1000 CTC 840 PSS	19mm	65mm	95mm	1000mm	840mm
B6450/O/19/SSS	9457456083101	B6450/O/19 OA 1000 CTC 840 SSS	19mm	65mm	95mm	1000mm	840mm
B6450/O/25/PSS	9457456084102	B6450/O/25 OA 1000 CTC 840 PSS	25mm	59mm	95mm	1000mm	840mm
B6450/O/25/SSS	9457456084101	B6450/O/25 OA 1000 CTC 840 SSS	25mm	59mm	95mm	1000mm	840mm
B6450/O/32/PSS	9457456085102	B6450/O/32 OA 1000 CTC 840 PSS	32mm	52mm	95mm	1000mm	840mm
B6450/O/32/SSS	9457456085101	B6450/O/32 OA 1000 CTC 840 SSS	32mm	52mm	95mm	1000mm	840mm
B6450/P/19/PSS	9457455513102	B6450/P/19 OA 900 CTC 740 PSS	19mm	65mm	95mm	900mm	740mm
B6450/P/19/SSS	9457455513101	B6450/P/19 OA 900 CTC 740 SSS	19mm	65mm	95mm	900mm	740mm
B6450/P/25/PSS	9457455514102	B6450/P/25 OA 900 CTC 740 PSS	25mm	59mm	95mm	900mm	740mm
B6450/P/25/SSS	9457455514101	B6450/P/25 OA 900 CTC 740 SSS	25mm	59mm	95mm	900mm	740mm
B6450/P/32/PSS	9457455515102	B6450/P/32 OA 900 CTC 740 PSS	32mm	52mm	95mm	900mm	740mm
B6450/P/32/SSS	9457455515101	B6450/P/32 OA 900 CTC 740 SSS	32mm	52mm	95mm	900mm	740mm
B6450/Q/19/PSS	9457455063102	B6450/Q/19 OA 800 CTC 640 PSS	19mm	65mm	95mm	800mm	640mm
B6450/Q/19/SSS	9457455063101	B6450/Q/19 OA 800 CTC 640 SSS	19mm	65mm	95mm	800mm	640mm
B6450/Q/25/PSS	9457455064102	B6450/Q/25 OA 800 CTC 640 PSS	25mm	59mm	95mm	800mm	640mm
B6450/Q/25/SSS	9457455064101	B6450/Q/25 OA 800 CTC 640 SSS	25mm	59mm	95mm	800mm	640mm
B6450/Q/32/PSS	9457455065102	B6450/Q/32 OA 800 CTC 640 PSS	32mm	52mm	95mm	800mm	640mm
B6450/Q/32/SSS	9457455065101	B6450/Q/32 OA 800 CTC 640 SSS	32mm	52mm	95mm	800mm	640mm

Ordering details

Item	Article Number	Description	Diameter	Projection	Offset	Length	Fixing Centres
B6450/R/19/PSS	9457454583102	B6450/R/19 OA 700 CTC 540 PSS	19mm	65mm	95mm	700mm	540mm
B6450/R/19/SSS	9457454583101	B6450/R/19 OA 700 CTC 540 SSS	19mm	65mm	95mm	700mm	540mm
B6450/R/25/PSS	9457454584102	B6450/R/25 OA 700 CTC 540 PSS	25mm	59mm	95mm	700mm	540mm
B6450/R/25/SSS	9457454584101	B6450/R/25 OA 700 CTC 540 SSS	25mm	59mm	95mm	700mm	540mm
B6450/R/32/PSS	9457454585102	B6450/R/32 OA 700 CTC 540 PSS	32mm	52mm	95mm	700mm	540mm
B6450/R/32/SSS	9457454585101	B6450/R/32 OA 700 CTC 540 SSS	32mm	52mm	95mm	700mm	540mm
B6450/S/19/PSS	9457453893102	B6450/S/19 OA 600 CTC 440 PSS	19mm	65mm	95mm	600mm	440mm
B6450/S/19/SSS	9457453893101	B6450/S/19 OA 600 CTC 440 SSS	19mm	65mm	95mm	600mm	440mm
B6450/S/25/PSS	9457453894102	B6450/S/25 OA 600 CTC 440 PSS	25mm	59mm	95mm	600mm	440mm
B6450/S/25/SSS	9457453894101	B6450/S/25 OA 600 CTC 440 SSS	25mm	59mm	95mm	600mm	440mm
B6450/S/32/PSS	9457453895102	B6450/S/32 OA 600 CTC 440 PSS	32mm	52mm	95mm	600mm	440mm
B6450/S/32/SSS	9457453895101	B6450/S/32 OA 600 CTC 440 SSS	32mm	52mm	95mm	600mm	440mm
B6450/T/19/PSS	9457453203102	B6450/T/19 OA 500 CTC 340 PSS	19mm	65mm	95mm	500mm	340mm
B6450/T/19/SSS	9457453203101	B6450/T/19 OA 500 CTC 340 SSS	19mm	65mm	95mm	500mm	340mm
B6450/T/25/PSS	9457453204102	B6450/T/25 OA 500 CTC 340 PSS	25mm	59mm	95mm	500mm	340mm
B6450/T/25/SSS	9457453204101	B6450/T/25 OA 500 CTC 340 SSS	25mm	59mm	95mm	500mm	340mm
B6450/T/32/PSS	9457453205102	B6450/T/32 OA 500 CTC 340 PSS	32mm	52mm	95mm	500mm	340mm
B6450/T/32/SSS	9457453205101	B6450/T/32 OA 500 CTC 340 SSS	32mm	52mm	95mm	500mm	340mm
B6450/U/19/PSS	9457452483102	B6450/U/19 OA 400 CTC 240 PSS	19mm	65mm	95mm	400mm	240mm
B6450/U/19/SSS	9457452483101	B6450/U/19 OA 400 CTC 240 SSS	19mm	65mm	95mm	400mm	240mm
B6450/U/25/PSS	9457452484102	B6450/U/25 OA 400 CTC 240 PSS	25mm	59mm	95mm	400mm	240mm
B6450/U/25/SSS	9457452484101	B6450/U/25 OA 400 CTC 240 SSS	25mm	59mm	95mm	400mm	240mm
B6450/U/32/PSS	9457452485102	B6450/U/32 OA 400 CTC 240 PSS	32mm	52mm	95mm	400mm	240mm
B6450/U/32/SSS	9457452485101	B6450/U/32 OA 400 CTC 240 SSS	32mm	52mm	95mm	400mm	240mm

ACCESSORIES - EXTENDED FIXINGS

TM/M8/50	9459508058200	M8/50 FERULE HEAD BOLT TM FIX	<p>Note: When ordering extended fixings please use the below formula.</p> <p>Door thickness + 20mm for the Ferule + 10mm in to the other handle = round up to the nearest size offered.</p>
TM/M8/75	9459758078200	M8/75 FERULE HEAD BOLT TM FIX	
TM/M8/90	9400000012887	M8/90 BOLT & 16MM FERULE TM FIX	
TM/M8/100	9400000012888	M8/100 BOLT & 16MM FERULE TM FIX	
TM/M8/110	9459118118200	M8/110 BOLT & 16MM FERULE TM FIX	
TM/M8/120	9459128128200	M8/120 BOLT & 16MM FERULE TM FIX	
TM/M8/130	9459138138200	M8/130 BOLT & 16MM FERULE TM FIX	
TM/M8/150	9459158158200	M8/150 BOLT & 16MM FERULE TM FIX	

ACCESSORIES - GLASS FIXINGS

GF19/M8/50 RND	9459501988301	19 DIA RND GLASS FIXING PAIRS
----------------	---------------	-------------------------------

Ordering details

Item	Article Number	Description	Diameter	Projection	Offset	Length	Fixing Centres
CONCEALED FIXING							
C6450/A/32/PSS	9457459745202	C6450/A/32 OA 2400 CTC 2240 PSS	32mm	52mm	95mm	2400mm	2240mm
C6450/A/32/SSS	9457459745201	C6450/A/32 OA 2400 CTC 2240 SSS	32mm	52mm	95mm	2400mm	2240mm
C6450/B/32/PSS	9457459625202	C6450/B/32 OA 2300 CTC 2140 PSS	32mm	52mm	95mm	2300mm	2140mm
C6450/B/32/SSS	9457459625201	C6450/B/32 OA 2300 CTC 2140 SSS	32mm	52mm	95mm	2300mm	2140mm
C6450/C/32/PSS	9457459505202	C6450/C/32 OA 2200 CTC 2040 PSS	32mm	52mm	95mm	2200mm	2040mm
C6450/C/32/SSS	9457459505201	C6450/C/32 OA 2200 CTC 2040 SSS	32mm	52mm	95mm	2200mm	2040mm
C6450/D/32/PSS	9457459325202	C6450/D/32 OA 2100 CTC 1940 PSS	32mm	52mm	95mm	2100mm	1940mm
C6450/D/32/SSS	9457459325201	C6450/D/32 OA 2100 CTC 1940 SSS	32mm	52mm	95mm	2100mm	1940mm
C6450/E/32/PSS	9457459145202	C6450/E/32 OA 2000 CTC 1840 PSS	32mm	52mm	95mm	2000mm	1840mm
C6450/E/32/SSS	9457459145201	C6450/E/32 OA 2000 CTC 1840 SSS	32mm	52mm	95mm	2000mm	1840mm
C6450/F/32/PSS	9457458995202	C6450/F/32 OA 1900 CTC 1740 PSS	32mm	52mm	95mm	1900mm	1740mm
C6450/F/32/SSS	9457458995201	C6450/F/32 OA 1900 CTC 1740 SSS	32mm	52mm	95mm	1900mm	1740mm
C6450/G/19/PSS	9457458813202	C6450/G/19 OA 1800 CTC 1640 PSS	19mm	65mm	95mm	1800mm	1640mm
C6450/G/19/SSS	9457458813201	C6450/G/19 OA 1800 CTC 1640 SSS	19mm	65mm	95mm	1800mm	1640mm
C6450/G/25/PSS	9457458814202	C6450/G/25 OA 1800 CTC 1640 PSS	25mm	59mm	95mm	1800mm	1640mm
C6450/G/25/SSS	9457458814201	C6450/G/25 OA 1800 CTC 1640 SSS	25mm	59mm	95mm	1800mm	1640mm
C6450/G/32/PSS	9457458815202	C6450/G/32 OA 1800 CTC 1640 PSS	32mm	52mm	95mm	1800mm	1640mm
C6450/G/32/SSS	9457458815201	C6450/G/32 OA 1800 CTC 1640 SSS	32mm	52mm	95mm	1800mm	1640mm
C6450/H/19/PSS	9457458603202	C6450/H/19 OA 1700 CTC 1540 PSS	19mm	65mm	95mm	1700mm	1540mm
C6450/H/19/SSS	9457458603201	C6450/H/19 OA 1700 CTC 1540 SSS	19mm	65mm	95mm	1700mm	1540mm
C6450/H/25/PSS	9457458604202	C6450/H/25 OA 1700 CTC 1540 PSS	25mm	59mm	95mm	1700mm	1540mm
C6450/H/25/SSS	9457458604201	C6450/H/25 OA 1700 CTC 1540 SSS	25mm	59mm	95mm	1700mm	1540mm
C6450/H/32/PSS	9457458605202	C6450/H/32 OA 1700 CTC 1540 PSS	32mm	52mm	95mm	1700mm	1540mm
C6450/H/32/SSS	9457458605201	C6450/H/32 OA 1700 CTC 1540 SSS	32mm	52mm	95mm	1700mm	1540mm
C6450/I/19/PSS	9457458273202	C6450/I/19 OA 1600 CTC 1440 PSS	19mm	65mm	95mm	1600mm	1440mm
C6450/I/19/SSS	9457458273201	C6450/I/19 OA 1600 CTC 1440 SSS	19mm	65mm	95mm	1600mm	1440mm
C6450/I/25/PSS	9457458274202	C6450/I/25 OA 1600 CTC 1440 PSS	25mm	59mm	95mm	1600mm	1440mm
C6450/I/25/SSS	9457458274201	C6450/I/25 OA 1600 CTC 1440 SSS	25mm	59mm	95mm	1600mm	1440mm
C6450/I/32/PSS	9457458275202	C6450/I/32 OA 1600 CTC 1440 PSS	32mm	52mm	95mm	1600mm	1440mm
C6450/I/32/SSS	9457458275201	C6450/I/32 OA 1600 CTC 1440 SSS	32mm	52mm	95mm	1600mm	1440mm
C6450/J/19/PSS	9457457943202	C6450/J/19 OA 1500 CTC 1340 PSS	19mm	65mm	95mm	1500mm	1340mm
C6450/J/19/SSS	9457457943201	C6450/J/19 OA 1500 CTC 1340 SSS	19mm	65mm	95mm	1500mm	1340mm
C6450/J/25/PSS	9457457944202	C6450/J/25 OA 1500 CTC 1340 PSS	25mm	59mm	95mm	1500mm	1340mm
C6450/J/25/SSS	9457457944201	C6450/J/25 OA 1500 CTC 1340 SSS	25mm	59mm	95mm	1500mm	1340mm
C6450/J/32/PSS	9457457945202	C6450/J/32 OA 1500 CTC 1340 PSS	32mm	52mm	95mm	1500mm	1340mm
C6450/J/32/SSS	9457457945201	C6450/J/32 OA 1500 CTC 1340 SSS	32mm	52mm	95mm	1500mm	1340mm
C6450/K/19/PSS	9457457613202	C6450/K/19 OA 1400 CTC 1240 PSS	19mm	65mm	95mm	1400mm	1240mm
C6450/K/19/SSS	9457457613201	C6450/K/19 OA 1400 CTC 1240 SSS	19mm	65mm	95mm	1400mm	1240mm

Ordering details

Item	Article Number	Description	Diameter	Projection	Offset	Length	Fixing Centres
C6450/K/25/PSS	9457457614202	C6450/K/25 OA 1400 CTC 1240 PSS	25mm	59mm	95mm	1400mm	1240mm
C6450/K/25/SSS	9457457614201	C6450/K/25 OA 1400 CTC 1240 SSS	25mm	59mm	95mm	1400mm	1240mm
C6450/K/32/PSS	9457457615202	C6450/K/32 OA 1400 CTC 1240 PSS	32mm	52mm	95mm	1400mm	1240mm
C6450/K/32/SSS	9457457615201	C6450/K/32 OA 1400 CTC 1240 SSS	32mm	52mm	95mm	1400mm	1240mm
C6450/L/19/PSS	9457457223202	C6450/L/19 OA 1300 CTC 1140 PSS	19mm	65mm	95mm	1300mm	1140mm
C6450/L/19/SSS	9457457223201	C6450/L/19 OA 1300 CTC 1140 SSS	19mm	65mm	95mm	1300mm	1140mm
C6450/L/25/PSS	9457457224202	C6450/L/25 OA 1300 CTC 1140 PSS	25mm	59mm	95mm	1300mm	1140mm
C6450/L/25/SSS	9457457224201	C6450/L/25 OA 1300 CTC 1140 SSS	25mm	59mm	95mm	1300mm	1140mm
C6450/L/32/PSS	9457457225202	C6450/L/32 OA 1300 CTC 1140 PSS	32mm	52mm	95mm	1300mm	1140mm
C6450/L/32/SSS	9457457225201	C6450/L/32 OA 1300 CTC 1140 SSS	32mm	52mm	95mm	1300mm	1140mm
C6450/M/19/PSS	9457456893202	C6450/M/19 OA 1200 CTC 1040 PSS	19mm	65mm	95mm	1200mm	1040mm
C6450/M/19/SSS	9457456893201	C6450/M/19 OA 1200 CTC 1040 SSS	19mm	65mm	95mm	1200mm	1040mm
C6450/M/25/PSS	9457456894202	C6450/M/25 OA 1200 CTC 1040 PSS	25mm	59mm	95mm	1200mm	1040mm
C6450/M/25/SSS	9457456894201	C6450/M/25 OA 1200 CTC 1040 SSS	25mm	59mm	95mm	1200mm	1040mm
C6450/M/32/PSS	9457456895202	C6450/M/32 OA 1200 CTC 1040 PSS	32mm	52mm	95mm	1200mm	1040mm
C6450/M/32/SSS	9457456895201	C6450/M/32 OA 1200 CTC 1040 SSS	32mm	52mm	95mm	1200mm	1040mm
C6450/N/19/PSS	9457456473202	C6450/N/19 OA 1100 CTC 940 PSS	19mm	65mm	95mm	1100mm	940mm
C6450/N/19/SSS	9457456473201	C6450/N/19 OA 1100 CTC 940 SSS	19mm	65mm	95mm	1100mm	940mm
C6450/N/25/PSS	9457456474202	C6450/N/25 OA 1100 CTC 940 PSS	25mm	59mm	95mm	1100mm	940mm
C6450/N/25/SSS	9457456474201	C6450/N/25 OA 1100 CTC 940 SSS	25mm	59mm	95mm	1100mm	940mm
C6450/N/32/PSS	9457456475202	C6450/N/32 OA 1100 CTC 940 PSS	32mm	52mm	95mm	1100mm	940mm
C6450/N/32/SSS	9457456475201	C6450/N/32 OA 1100 CTC 940 SSS	32mm	52mm	95mm	1100mm	940mm
C6450/O/19/PSS	9457456083202	C6450/O/19 OA 1000 CTC 840 PSS	19mm	65mm	95mm	1000mm	840mm
C6450/O/19/SSS	9457456083201	C6450/O/19 OA 1000 CTC 840 SSS	19mm	65mm	95mm	1000mm	840mm
C6450/O/25/PSS	9457456084202	C6450/O/25 OA 1000 CTC 840 PSS	25mm	59mm	95mm	1000mm	840mm
C6450/O/25/SSS	9457456084201	C6450/O/25 OA 1000 CTC 840 SSS	25mm	59mm	95mm	1000mm	840mm
C6450/O/32/PSS	9457456085202	C6450/O/32 OA 1000 CTC 840 PSS	32mm	52mm	95mm	1000mm	840mm
C6450/O/32/SSS	9457456085201	C6450/O/32 OA 1000 CTC 840 SSS	32mm	52mm	95mm	1000mm	840mm
C6450/P/19/PSS	9457455513202	C6450/P/19 OA 900 CTC 740 PSS	19mm	65mm	95mm	900mm	740mm
C6450/P/19/SSS	9457455513201	C6450/P/19 OA 900 CTC 740 SSS	19mm	65mm	95mm	900mm	740mm
C6450/P/25/PSS	9457455514202	C6450/P/25 OA 900 CTC 740 PSS	25mm	59mm	95mm	900mm	740mm
C6450/P/25/SSS	9457455514201	C6450/P/25 OA 900 CTC 740 SSS	25mm	59mm	95mm	900mm	740mm
C6450/P/32/PSS	9457455515202	C6450/P/32 OA 900 CTC 740 PSS	32mm	52mm	95mm	900mm	740mm
C6450/P/32/SSS	9457455515201	C6450/P/32 OA 900 CTC 740 SSS	32mm	52mm	95mm	900mm	740mm
C6450/Q/19/PSS	9457455063202	C6450/Q/19 OA 800 CTC 640 PSS	19mm	65mm	95mm	800mm	640mm
C6450/Q/19/SSS	9457455063201	C6450/Q/19 OA 800 CTC 640 SSS	19mm	65mm	95mm	800mm	640mm
C6450/Q/25/PSS	9457455064202	C6450/Q/25 OA 800 CTC 640 PSS	25mm	59mm	95mm	800mm	640mm
C6450/Q/25/SSS	9457455064201	C6450/Q/25 OA 800 CTC 640 SSS	25mm	59mm	95mm	800mm	640mm
C6450/Q/32/PSS	9457455065202	C6450/Q/32 OA 800 CTC 640 PSS	32mm	52mm	95mm	800mm	640mm
C6450/Q/32/SSS	9457455065201	C6450/Q/32 OA 800 CTC 640 SSS	32mm	52mm	95mm	800mm	640mm

Ordering details

Item	Article Number	Description	Diameter	Projection	Offset	Length	Fixing Centres
C6450/R/19/PSS	9457454583202	C6450/R/19 OA 700 CTC 540 PSS	19mm	65mm	95mm	700mm	540mm
C6450/R/19/SSS	9457454583201	C6450/R/19 OA 700 CTC 540 SSS	19mm	65mm	95mm	700mm	540mm
C6450/R/25/PSS	9457454584202	C6450/R/25 OA 700 CTC 540 PSS	25mm	59mm	95mm	700mm	540mm
C6450/R/25/SSS	9457454584201	C6450/R/25 OA 700 CTC 540 SSS	25mm	59mm	95mm	700mm	540mm
C6450/R/32/PSS	9457454585202	C6450/R/32 OA 700 CTC 540 PSS	32mm	52mm	95mm	700mm	540mm
C6450/R/32/SSS	9457454585201	C6450/R/32 OA 700 CTC 540 SSS	32mm	52mm	95mm	700mm	540mm
C6450/S/19/PSS	9457453893202	C6450/S/19 OA 600 CTC 440 PSS	19mm	65mm	95mm	600mm	440mm
C6450/S/19/SSS	9457453893201	C6450/S/19 OA 600 CTC 440 SSS	19mm	65mm	95mm	600mm	440mm
C6450/S/25/PSS	9457453894202	C6450/S/25 OA 600 CTC 440 PSS	25mm	59mm	95mm	600mm	440mm
C6450/S/25/SSS	9457453894201	C6450/S/25 OA 600 CTC 440 SSS	25mm	59mm	95mm	600mm	440mm
C6450/S/32/PSS	9457453895202	C6450/S/32 OA 600 CTC 440 PSS	32mm	52mm	95mm	600mm	440mm
C6450/S/32/SSS	9457453895201	C6450/S/32 OA 600 CTC 440 SSS	32mm	52mm	95mm	600mm	440mm
C6450/T/19/PSS	9457453203202	C6450/T/19 OA 500 CTC 340 PSS	19mm	65mm	95mm	500mm	340mm
C6450/T/19/SSS	9457453203201	C6450/T/19 OA 500 CTC 340 SSS	19mm	65mm	95mm	500mm	340mm
C6450/T/25/PSS	9457453204202	C6450/T/25 OA 500 CTC 340 PSS	25mm	59mm	95mm	500mm	340mm
C6450/T/25/SSS	9457453204201	C6450/T/25 OA 500 CTC 340 SSS	25mm	59mm	95mm	500mm	340mm
C6450/T/32/PSS	9457453205202	C6450/T/32 OA 500 CTC 340 PSS	32mm	52mm	95mm	500mm	340mm
C6450/T/32/SSS	9457453205201	C6450/T/32 OA 500 CTC 340 SSS	32mm	52mm	95mm	500mm	340mm
C6450/U/19/PSS	9457452483202	C6450/U/19 OA 400 CTC 240 PSS	19mm	65mm	95mm	400mm	240mm
C6450/U/19/SSS	9457452483201	C6450/U/19 OA 400 CTC 240 SSS	19mm	65mm	95mm	400mm	240mm
C6450/U/25/PSS	9457452484202	C6450/U/25 OA 400 CTC 240 PSS	25mm	59mm	95mm	400mm	240mm
C6450/U/25/SSS	9457452484201	C6450/U/25 OA 400 CTC 240 SSS	25mm	59mm	95mm	400mm	240mm
C6450/U/32/PSS	9457452485202	C6450/U/32 OA 400 CTC 240 PSS	32mm	52mm	95mm	400mm	240mm
C6450/U/32/SSS	9457452485201	C6450/U/32 OA 400 CTC 240 SSS	32mm	52mm	95mm	400mm	240mm

DISC FIXING							
D6450/A/32/PSS	9457459745302	D6450/A/32 OA 2400 CTC 2240 PSS	32mm	52mm	95mm	2400mm	2240mm
D6450/A/32/SSS	9457459745301	D6450/A/32 OA 2400 CTC 2240 SSS	32mm	52mm	95mm	2400mm	2240mm
D6450/B/32/PSS	9457459625302	D6450/B/32 OA 2300 CTC 2140 PSS	32mm	52mm	95mm	2300mm	2140mm
D6450/B/32/SSS	9457459625301	D6450/B/32 OA 2300 CTC 2140 SSS	32mm	52mm	95mm	2300mm	2140mm
D6450/C/32/PSS	9457459505302	D6450/C/32 OA 2200 CTC 2040 PSS	32mm	52mm	95mm	2200mm	2040mm
D6450/C/32/SSS	9457459505301	D6450/C/32 OA 2200 CTC 2040 SSS	32mm	52mm	95mm	2200mm	2040mm
D6450/D/32/PSS	9457459325302	D6450/D/32 OA 2100 CTC 1940 PSS	32mm	52mm	95mm	2100mm	1940mm
D6450/D/32/SSS	9457459325301	D6450/D/32 OA 2100 CTC 1940 SSS	32mm	52mm	95mm	2100mm	1940mm
D6450/E/32/PSS	9457459145302	D6450/E/32 OA 2000 CTC 1840 PSS	32mm	52mm	95mm	2000mm	1840mm
D6450/E/32/SSS	9457459145301	D6450/E/32 OA 2000 CTC 1840 SSS	32mm	52mm	95mm	2000mm	1840mm
D6450/F/32/PSS	9457458995302	D6450/F/32 OA 1900 CTC 1740 PSS	32mm	52mm	95mm	1900mm	1740mm
D6450/F/32/SSS	9457458995301	D6450/F/32 OA 1900 CTC 1740 SSS	32mm	52mm	95mm	1900mm	1740mm
D6450/G/19/PSS	9457458813302	D6450/G/19 OA 1800 CTC 1640 PSS	19mm	65mm	95mm	1800mm	1640mm
D6450/G/19/SSS	9457458813301	D6450/G/19 OA 1800 CTC 1640 SSS	19mm	65mm	95mm	1800mm	1640mm

Ordering details

Item	Article Number	Description	Diameter	Projection	Offset	Length	Fixing Centres
D6450/G/25/PSS	9457458814302	D6450/G/25 OA 1800 CTC 1640 PSS	25mm	59mm	95mm	1800mm	1640mm
D6450/G/25/SSS	9457458814301	D6450/G/25 OA 1800 CTC 1640 SSS	25mm	59mm	95mm	1800mm	1640mm
D6450/G/32/PSS	9457458815302	D6450/G/32 OA 1800 CTC 1640 PSS	32mm	52mm	95mm	1800mm	1640mm
D6450/G/32/SSS	9457458815301	D6450/G/32 OA 1800 CTC 1640 SSS	32mm	52mm	95mm	1800mm	1640mm
D6450/H/19/PSS	9457458603302	D6450/H/19 OA 1700 CTC 1540 PSS	19mm	65mm	95mm	1700mm	1540mm
D6450/H/19/SSS	9457458603301	D6450/H/19 OA 1700 CTC 1540 SSS	19mm	65mm	95mm	1700mm	1540mm
D6450/H/25/PSS	9457458604302	D6450/H/25 OA 1700 CTC 1540 PSS	25mm	59mm	95mm	1700mm	1540mm
D6450/H/25/SSS	9457458604301	D6450/H/25 OA 1700 CTC 1540 SSS	25mm	59mm	95mm	1700mm	1540mm
D6450/H/32/PSS	9457458605302	D6450/H/32 OA 1700 CTC 1540 PSS	32mm	52mm	95mm	1700mm	1540mm
D6450/H/32/SSS	9457458605301	D6450/H/32 OA 1700 CTC 1540 SSS	32mm	52mm	95mm	1700mm	1540mm
D6450/I/19/PSS	9457458273302	D6450/I/19 OA 1600 CTC 1440 PSS	19mm	65mm	95mm	1600mm	1440mm
D6450/I/19/SSS	9457458273301	D6450/I/19 OA 1600 CTC 1440 SSS	19mm	65mm	95mm	1600mm	1440mm
D6450/I/25/PSS	9457458274302	D6450/I/25 OA 1600 CTC 1440 PSS	25mm	59mm	95mm	1600mm	1440mm
D6450/I/25/SSS	9457458274301	D6450/I/25 OA 1600 CTC 1440 SSS	25mm	59mm	95mm	1600mm	1440mm
D6450/I/32/PSS	9457458275302	D6450/I/32 OA 1600 CTC 1440 PSS	32mm	52mm	95mm	1600mm	1440mm
D6450/I/32/SSS	9457458275301	D6450/I/32 OA 1600 CTC 1440 SSS	32mm	52mm	95mm	1600mm	1440mm
D6450/J/19/PSS	9457457943302	D6450/J/19 OA 1500 CTC 1340 PSS	19mm	65mm	95mm	1500mm	1340mm
D6450/J/19/SSS	9457457943301	D6450/J/19 OA 1500 CTC 1340 SSS	19mm	65mm	95mm	1500mm	1340mm
D6450/J/25/PSS	9457457944302	D6450/J/25 OA 1500 CTC 1340 PSS	25mm	59mm	95mm	1500mm	1340mm
D6450/J/25/SSS	9457457944301	D6450/J/25 OA 1500 CTC 1340 SSS	25mm	59mm	95mm	1500mm	1340mm
D6450/J/32/PSS	9457457945302	D6450/J/32 OA 1500 CTC 1340 PSS	32mm	52mm	95mm	1500mm	1340mm
D6450/J/32/SSS	9457457945301	D6450/J/32 OA 1500 CTC 1340 SSS	32mm	52mm	95mm	1500mm	1340mm
D6450/K/19/PSS	9457457613302	D6450/K/19 OA 1400 CTC 1240 PSS	19mm	65mm	95mm	1400mm	1240mm
D6450/K/19/SSS	9457457613301	D6450/K/19 OA 1400 CTC 1240 SSS	19mm	65mm	95mm	1400mm	1240mm
D6450/K/25/PSS	9457457614302	D6450/K/25 OA 1400 CTC 1240 PSS	25mm	59mm	95mm	1400mm	1240mm
D6450/K/25/SSS	9457457614301	D6450/K/25 OA 1400 CTC 1240 SSS	25mm	59mm	95mm	1400mm	1240mm
D6450/K/32/PSS	9457457615302	D6450/K/32 OA 1400 CTC 1240 PSS	32mm	52mm	95mm	1400mm	1240mm
D6450/K/32/SSS	9457457615301	D6450/K/32 OA 1400 CTC 1240 SSS	32mm	52mm	95mm	1400mm	1240mm
D6450/L/19/PSS	9457457223302	D6450/L/19 OA 1300 CTC 1140 PSS	19mm	65mm	95mm	1300mm	1140mm
D6450/L/19/SSS	9457457223301	D6450/L/19 OA 1300 CTC 1140 SSS	19mm	65mm	95mm	1300mm	1140mm
D6450/L/25/PSS	9457457224302	D6450/L/25 OA 1300 CTC 1140 PSS	25mm	59mm	95mm	1300mm	1140mm
D6450/L/25/SSS	9457457224301	D6450/L/25 OA 1300 CTC 1140 SSS	25mm	59mm	95mm	1300mm	1140mm
D6450/L/32/PSS	9457457225302	D6450/L/32 OA 1300 CTC 1140 PSS	32mm	52mm	95mm	1300mm	1140mm
D6450/L/32/SSS	9457457225301	D6450/L/32 OA 1300 CTC 1140 SSS	32mm	52mm	95mm	1300mm	1140mm
D6450/M/19/PSS	9457456893302	D6450/M/19 OA 1200 CTC 1040 PSS	19mm	65mm	95mm	1200mm	1040mm
D6450/M/19/SSS	9457456893301	D6450/M/19 OA 1200 CTC 1040 SSS	19mm	65mm	95mm	1200mm	1040mm
D6450/M/25/PSS	9457456894302	D6450/M/25 OA 1200 CTC 1040 PSS	25mm	59mm	95mm	1200mm	1040mm
D6450/M/25/SSS	9457456894301	D6450/M/25 OA 1200 CTC 1040 SSS	25mm	59mm	95mm	1200mm	1040mm
D6450/M/32/PSS	9457456895302	D6450/M/32 OA 1200 CTC 1040 PSS	32mm	52mm	95mm	1200mm	1040mm
D6450/M/32/SSS	9457456895301	D6450/M/32 OA 1200 CTC 1040 SSS	32mm	52mm	95mm	1200mm	1040mm

Ordering details

Item	Article Number	Description	Diameter	Projection	Offset	Length	Fixing Centres
D6450/N/19/PSS	9457456473302	D6450/N/19 OA 1100 CTC 940 PSS	19mm	65mm	95mm	1100mm	940mm
D6450/N/19/SSS	9457456473301	D6450/N/19 OA 1100 CTC 940 SSS	19mm	65mm	95mm	1100mm	940mm
D6450/N/25/PSS	9457456474302	D6450/N/25 OA 1100 CTC 940 PSS	25mm	59mm	95mm	1100mm	940mm
D6450/N/25/SSS	9457456474301	D6450/N/25 OA 1100 CTC 940 SSS	25mm	59mm	95mm	1100mm	940mm
D6450/N/32/PSS	9457456475302	D6450/N/32 OA 1100 CTC 940 PSS	32mm	52mm	95mm	1100mm	940mm
D6450/N/32/SSS	9457456475301	D6450/N/32 OA 1100 CTC 940 SSS	32mm	52mm	95mm	1100mm	940mm
D6450/O/19/PSS	9457456083302	D6450/O/19 OA 1000 CTC 840 PSS	19mm	65mm	95mm	1000mm	840mm
D6450/O/19/SSS	9457456083301	D6450/O/19 OA 1000 CTC 840 SSS	19mm	65mm	95mm	1000mm	840mm
D6450/O/25/PSS	9457456084302	D6450/O/25 OA 1000 CTC 840 PSS	25mm	59mm	95mm	1000mm	840mm
D6450/O/25/SSS	9457456084301	D6450/O/25 OA 1000 CTC 840 SSS	25mm	59mm	95mm	1000mm	840mm
D6450/O/32/PSS	9457456085302	D6450/O/32 OA 1000 CTC 840 PSS	32mm	52mm	95mm	1000mm	840mm
D6450/O/32/SSS	9457456085301	D6450/O/32 OA 1000 CTC 840 SSS	32mm	52mm	95mm	1000mm	840mm
D6450/P/19/PSS	9457455513302	D6450/P/19 OA 900 CTC 740 PSS	19mm	65mm	95mm	900mm	740mm
D6450/P/19/SSS	9457455513301	D6450/P/19 OA 900 CTC 740 SSS	19mm	65mm	95mm	900mm	740mm
D6450/P/25/PSS	9457455514302	D6450/P/25 OA 900 CTC 740 PSS	25mm	59mm	95mm	900mm	740mm
D6450/P/25/SSS	9457455514301	D6450/P/25 OA 900 CTC 740 SSS	25mm	59mm	95mm	900mm	740mm
D6450/P/32/PSS	9457455515302	D6450/P/32 OA 900 CTC 740 PSS	32mm	52mm	95mm	900mm	740mm
D6450/P/32/SSS	9457455515301	D6450/P/32 OA 900 CTC 740 SSS	32mm	52mm	95mm	900mm	740mm
D6450/Q/19/PSS	9457455063302	D6450/Q/19 OA 800 CTC 640 PSS	19mm	65mm	95mm	800mm	640mm
D6450/Q/19/SSS	9457455063301	D6450/Q/19 OA 800 CTC 640 SSS	19mm	65mm	95mm	800mm	640mm
D6450/Q/25/PSS	9457455064302	D6450/Q/25 OA 800 CTC 640 PSS	25mm	59mm	95mm	800mm	640mm
D6450/Q/25/SSS	9457455064301	D6450/Q/25 OA 800 CTC 640 SSS	25mm	59mm	95mm	800mm	640mm
D6450/Q/32/PSS	9457455065302	D6450/Q/32 OA 800 CTC 640 PSS	32mm	52mm	95mm	800mm	640mm
D6450/Q/32/SSS	9457455065301	D6450/Q/32 OA 800 CTC 640 SSS	32mm	52mm	95mm	800mm	640mm
D6450/R/19/PSS	9457454583302	D6450/R/19 OA 700 CTC 540 PSS	19mm	65mm	95mm	700mm	540mm
D6450/R/19/SSS	9457454583301	D6450/R/19 OA 700 CTC 540 SSS	19mm	65mm	95mm	700mm	540mm
D6450/R/25/PSS	9457454584302	D6450/R/25 OA 700 CTC 540 PSS	25mm	59mm	95mm	700mm	540mm
D6450/R/25/SSS	9457454584301	D6450/R/25 OA 700 CTC 540 SSS	25mm	59mm	95mm	700mm	540mm
D6450/R/32/PSS	9457454585302	D6450/R/32 OA 700 CTC 540 PSS	32mm	52mm	95mm	700mm	540mm
D6450/R/32/SSS	9457454585301	D6450/R/32 OA 700 CTC 540 SSS	32mm	52mm	95mm	700mm	540mm
D6450/S/19/PSS	9457453893302	D6450/S/19 OA 600 CTC 440 PSS	19mm	65mm	95mm	600mm	440mm
D6450/S/19/SSS	9457453893301	D6450/S/19 OA 600 CTC 440 SSS	19mm	65mm	95mm	600mm	440mm
D6450/S/25/PSS	9457453894302	D6450/S/25 OA 600 CTC 440 PSS	25mm	59mm	95mm	600mm	440mm
D6450/S/25/SSS	9457453894301	D6450/S/25 OA 600 CTC 440 SSS	25mm	59mm	95mm	600mm	440mm
D6450/S/32/PSS	9457453895302	D6450/S/32 OA 600 CTC 440 PSS	32mm	52mm	95mm	600mm	440mm
D6450/S/32/SSS	9457453895301	D6450/S/32 OA 600 CTC 440 SSS	32mm	52mm	95mm	600mm	440mm
D6450/T/19/PSS	9457453203302	D6450/T/19 OA 500 CTC 340 PSS	19mm	65mm	95mm	500mm	340mm
D6450/T/19/SSS	9457453203301	D6450/T/19 OA 500 CTC 340 SSS	19mm	65mm	95mm	500mm	340mm
D6450/T/25/PSS	9457453204302	D6450/T/25 OA 500 CTC 340 PSS	25mm	59mm	95mm	500mm	340mm
D6450/T/25/SSS	9457453204301	D6450/T/25 OA 500 CTC 340 SSS	25mm	59mm	95mm	500mm	340mm

Ordering details

Item	Article Number	Description	Diameter	Projection	Offset	Length	Fixing Centres
D6450/T/32/PSS	9457453205302	D6450/T/32 OA 500 CTC 340 PSS	32mm	52mm	95mm	500mm	340mm
D6450/T/32/SSS	9457453205301	D6450/T/32 OA 500 CTC 340 SSS	32mm	52mm	95mm	500mm	340mm
D6450/U/19/PSS	9457452483302	D6450/U/19 OA 400 CTC 240 PSS	19mm	65mm	95mm	400mm	240mm
D6450/U/19/SSS	9457452483301	D6450/U/19 OA 400 CTC 240 SSS	19mm	65mm	95mm	400mm	240mm
D6450/U/25/PSS	9457452484302	D6450/U/25 OA 400 CTC 240 PSS	25mm	59mm	95mm	400mm	240mm
D6450/U/25/SSS	9457452484301	D6450/U/25 OA 400 CTC 240 SSS	25mm	59mm	95mm	400mm	240mm
D6450/U/32/PSS	9457452485302	D6450/U/32 OA 400 CTC 240 PSS	32mm	52mm	95mm	400mm	240mm
D6450/U/32/SSS	9457452485301	D6450/U/32 OA 400 CTC 240 SSS	32mm	52mm	95mm	400mm	240mm

ACCESSORIES - EXTENDED FIXINGS

DF19/M8/75 SSS	9459751988101	19MM DISK FIX PAIR M8X75MM SSS
DF19/M8/75 PSS	9459751988102	19MM DISK FIX PAIR M8X75MM PSS

ACCESSORIES - GLASS FIXINGS

GDF/19/M8/50 PSS	9459501988102	19MM GLASS DISK FIX PAIR PSS M8X50MM
GDF/19/M8/50 SSS	9459501988101	19MM GLASS DISK FIX PAIR SSS M8X50MM