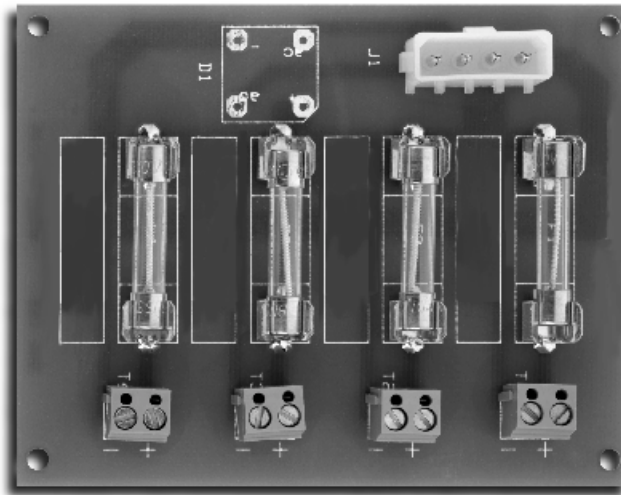
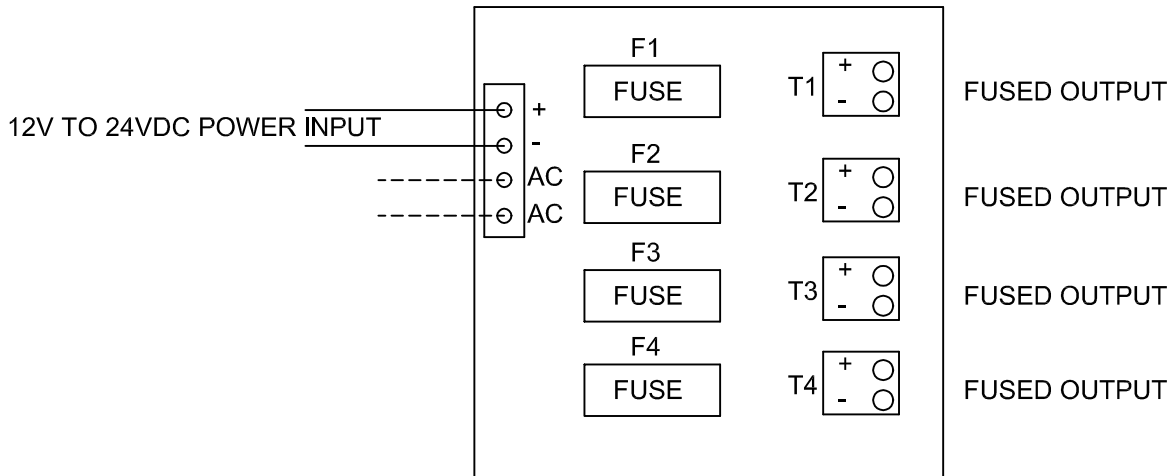


# FB-4 – FUSED TERMINAL BOARD



The optional FB-4 provides four (4) individually fused outputs for modular system protection. The fuse rating for each output is determined by the load current of each output. The fused voltage output is the same as the voltage input. The total current of all outputs can not exceed the power supply rating of 1.5 Amps Maximum.



\* If the FB4 is used stand alone without a 530 Series power supply, the optional rectifier D1 is required when DC output voltage is needed from a 12 VAC or 24 VAC transformer.