



Presence sensor

Automatic sliding doors

Description

Effective, versatile and easy-to-use, this presence sensor for automatic sliding doors can be used for both clear door openings and sidelite protection.

Precise infrared curtains coupled with visible alignment beams make the sensor extremely safe and easy to adjust. This state-of-the-art sensor features an on-board LCD screen that streamlines the installation and setup processes.

Can be adjusted into an ANSI compliant solution and has earned a comprehensive list of credentials and certifications, including UL, FCC and IP54.

Features & benefits

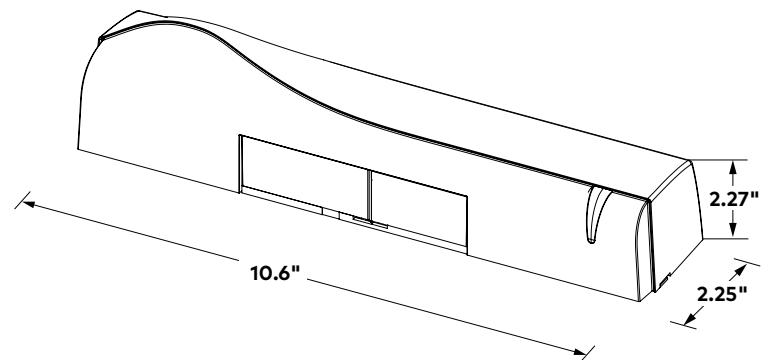
- Two 24-spot, high-density, infrared safety curtains providing precise presence detection.
- Four visible red alignment spots are projected on the ground to assist in precise IR curtain adjustment.
- Intelligent programming and troubleshooting via a menu-driven LCD.
- On-board microprocessor optimizes data analysis, monitors sensor performance, and enables system integration.
- Fully monitored internally, capable of external monitoring.
- 360" (30') cable for larger/higher doors.

Technical specifications

Technology	Active infrared	
Detection mode	Presence	
Spot size	2" x 2"	
Max. number of spots	24 per curtain	
Max. number of curtains	2	
Output	Electro-mechanical-relay (potential & polarity free)	Solid-state-relay (potential & polarity free)
Max contact voltage	30 VDC	42 VDC
Max contact current	1 A	400 mA
Hold time	Microwave: 0.5 – 9 s	Infrared: 0.3 – 1 s
Test input	N/A	Sensitivity: Low < 1 V; High > 10 V (max. 30 V) Response time on test request: typical < 5 ms
Supply voltage	12 – 24 VAC ±10%; 12 – 30 VDC ±10% (to be operated from SELV compatible power supplies only)	

Power consumption	< 2.5 W
Mounting height	78"–138" (6.5'–11.5')
Temperature range	-13 °F – 131 °F 0 – 95% relative humidity, non-condensing
Degree of protection	IP54
Applicable directives	R&TTE 1999 / 5 / EC; EMC 2004 / 108 / EC; MD 2006 / 42 / EC; RoHS 2002 / 95 / EC
Dimensions	10.6" (W) x 2.27" (H) x 2.25" (D)
Cable length	120" (10')
Norm conformance	EN 12978, EN ISO 13849-1:2008 PL <<c>> CAT.2 (under the condition that the door control system monitors the sensor at least once per door cycle) IEC 61496-1:2012 ESPE Type 2; EN 16005: 2012 Chapter 4.6.8; DIN 18650-1:2010 Chapter 5.7.4 BS 7036-1:1996 Chapter 8.1

DX3336-013 dimensional drawing



Related products



DX3336-013
PRESENCE
SENSOR



DX3336-012
DUAL
TECHNOLOGY
SENSOR



DX3336-021
MOUNTING
BRACKET ADAPTER



DX3336-025
RAIN
ACCESSORY



DX3336-024
FLUSH MOUNT
CEILING ADAPTER



DX3336-033
BEA UNIVERSAL
REMOTE
CONTROL



dormakaba USA Inc.
Dorma Drive, Drawer AC
Reamstown, PA 17567
844-SPECNOW
www.dormakaba.us

dormakaba Canada
1680 Courtney Park Dr. Unit 13
Mississauga, ON L5T 1R4
800.387.4938
www.dormakaba.ca