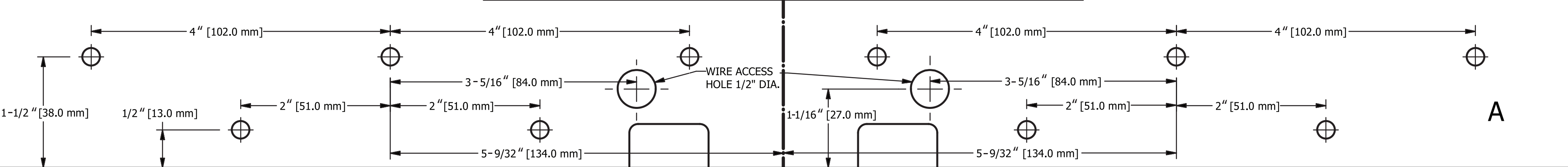


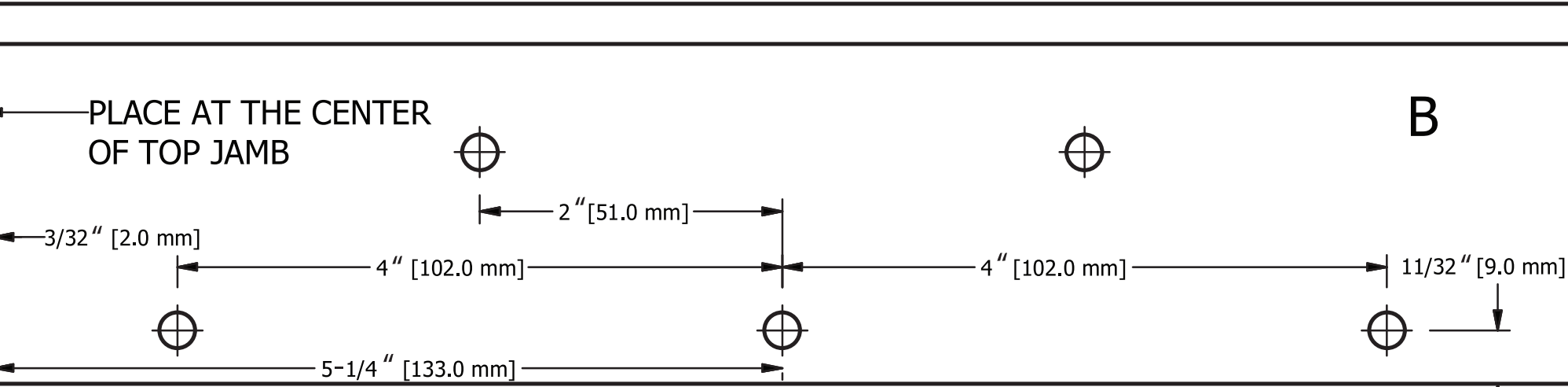
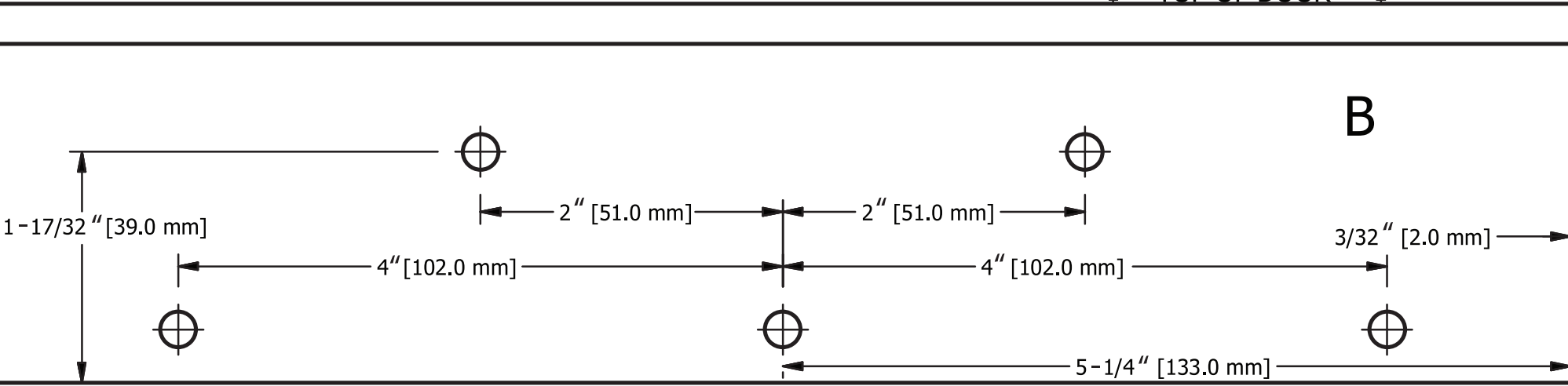
WARNING: Improper installation, maintenance, inspection or use of this or any related product may cause the electromagnet lock, armature plate and associated hardware to disengage and fall, causing serious bodily injury and property damage. DORMA will not be liable to the installer, purchaser, end user or anyone else for damage or injury to person or property due to improper installation, care, storage, handling, maintenance, inspection, abuse, misuse or act of God or nature involving this or any related product.



TEMPLATE FOR TJ20 TOP JAMB ACCESSORY



TOP OF DOOR
TOP OF DOOR



READ ISTJ10 (08281120) TOP JAMB BRACKET INSTALLATION INSTRUCTIONS