

Installation Sheet

KIM Contactless Extended Range Reader Installed with RAC 4 or RAC 4XT

Introduction

The KIM contactless extended range reader provided by KABA ILCO is compact, lightweight, rugged and water resistant, able to withstand temperatures from 0°C to 50°C. It is made from durable materials and comes with 15 feet (4.6 m) of cable. The reader is capable of functioning up to distances of 500 feet (150 m) when powered from the RAC controller board.

Upon a valid keycard being used with the reader, the green LED will flash to indicate granted access.

Installing the Reader

IMPORTANT: For proper dimensions required for the holes to be drilled, refer to drilling template DT-512650. If unavailable, drilling templates may be obtained through Kaba Customer Support: 1-800-906-4526

As shown in Figure B and Table 1, the KIM contactless extended range reader connects to the RAC 4/4XT controller board for single or dual reader applications.

1. As per the installation type, mark and drill the required holes for the reader as per drilling template DT-512650, or using the mounting plate of the reader.
2. Screw the mounting plate of the reader to the wall using the screws provided. Use the 1 ¼" wood screws and inserts for drywall, or use the ½" steel screws for metal frame mounting.
3. Connect one end of the supplied wire to the back of the reader as per the column 'Reader Connection' in Table 1 or as per Figure A. Route the other end of the wire, which will connect to the RAC enclosure, through the grommet in the mounting plate.
4. Hook the top of the reader enclosure onto the top of the mounting plate and secure together with the provided #6 screw, tightened at the bottom of the reader.
5. Route the wire to the RAC 4/4XT enclosure and connect to the controller board as per the column 'RAC 4/4XT Controller Board Connection' in Table 1, or as per Figure B.

IMPORTANT: The jumper cables supplied with the reader must be connected as shown in Figure B and Table 1 for the contactless reader to operate properly.

NOTE: The RAC 4 controller board supports a single reader only, for Ingress functionality, using connectors J1 and J2.

NOTE: The RAC 4XT controller board can support dual readers for Ingress (connectors J1 & J2) and Egress (connectors J13 & J14) functionality.

Installation Sheet

KIM Contactless Extended Range Reader Installed with RAC 4 or RAC 4XT

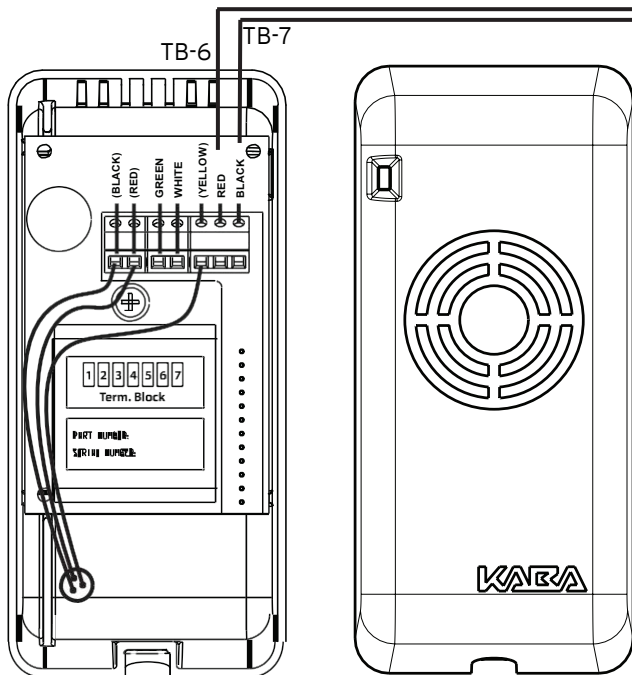


Figure A: KIM Contactless Extended Range Reader

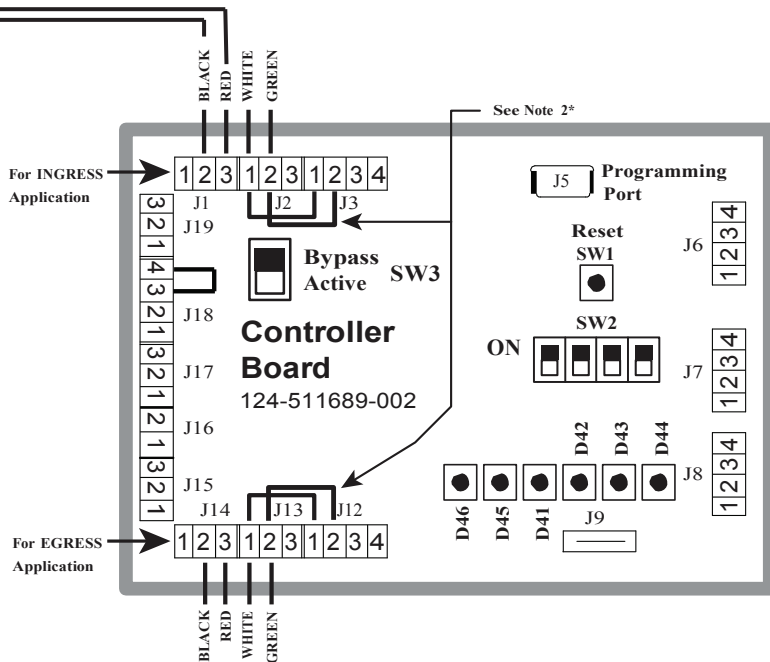


Figure B: RAC 4XT Controller Board
(Note: RAC 4 will differ slightly)

Controller Board to Contactless Extended Range Reader Connection					
Signal	Reader Connection Terminal Block	RAC4/4XT Controller Board Connection		Wire Color	Comments
		Ingress Reader	Egress Reader		
RS485+	TB - 4	J2, Pin 1 + J3, Pin 1*	J13, Pin 1 + J12, Pin 1	White	See Note 2
RS485-	TB - 3	J2, Pin 1 + J3, Pin 1*	J13, Pin 1 + J12, Pin 1	Green	See Note 2
+12V	TB - 6	J1, Pin 3	J14, Pin 3	Red	+12V
GND	TB - 7	J1, Pin 2	J14, Pin 2	Black	GND

Note 1: TB-1 (Black), TB-2 (Red), TB-5 (Yellow) are pre-connected at the factory. Do not remove.
***Note 2:** Jumper cables as shown in figure B must be connected for the reader to operate correctly.

Table 1: RAC 4/4XT Contactless Extended Range Reader Wire Connections

Kaba Ico Inc.
 7301 Boul. Décarie, Montréal, Québec, H4P 2G7
 T: (514) 735-5411, TF: 1-800-906-4526, F: (514) 735-1394
 lodging-tech@kaba.com, www.kabalodging.com

PK3562_05_13 Printed in Canada