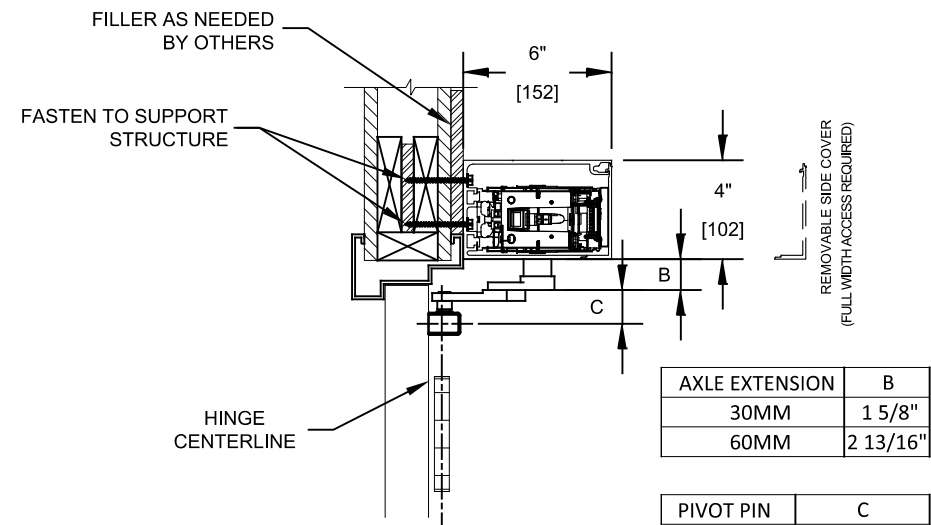


AXLE EXTENSION	A
30MM	7 7/16" [11]
60MM	1 9/16" [40]



AXLE EXTENSION	B
30MM	1 5/8"
60MM	2 13/16"

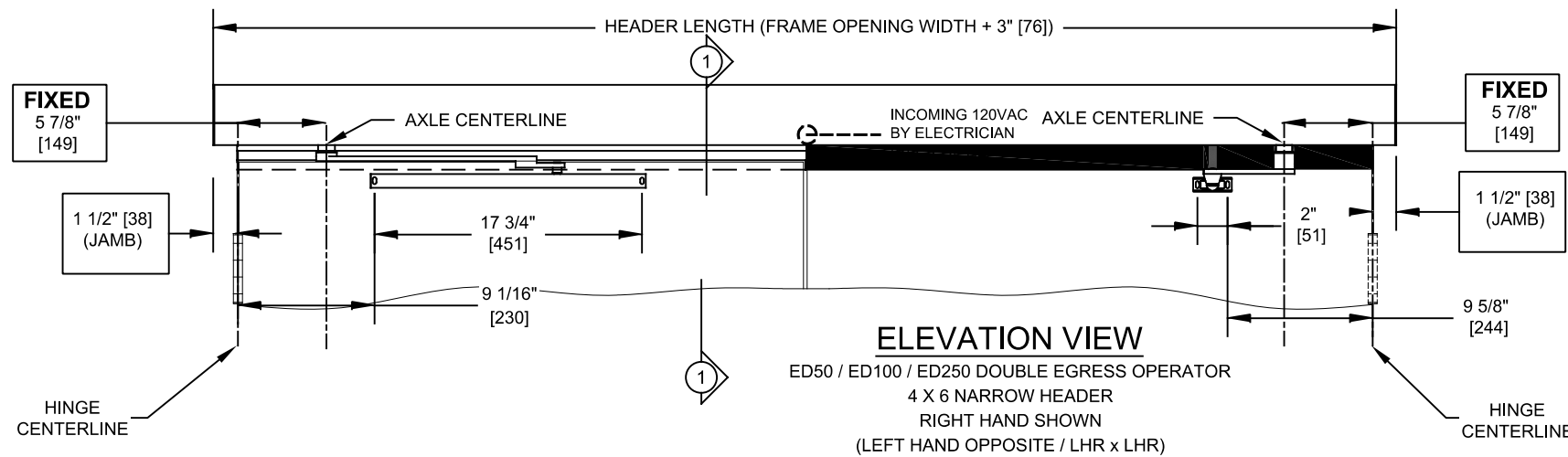
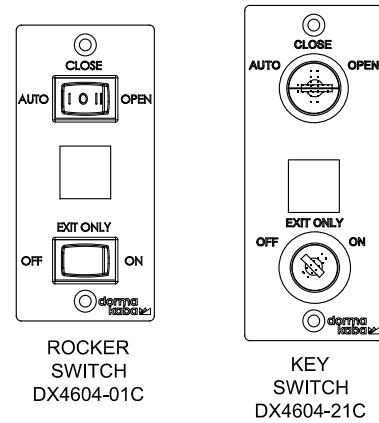
PIVOT PIN	C
1/2"	1 1/8"
1"	1 5/8"

END VIEW

ED50 / ED100 / ED250 DOUBLE EGRESS OPERATOR
4 X 6 NARROW HEADER
RIGHT HAND SHOWN
(LEFT HAND OPPOSITE)

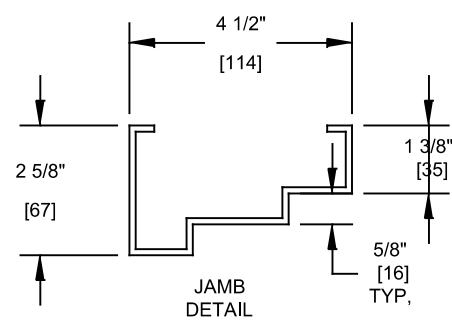
SECTION 1

ED50 / ED100 / ED250 DOUBLE EGRESS OPERATOR
4 X 6 NARROW HEADER
RIGHT HAND SHOWN
(LEFT HAND OPPOSITE)

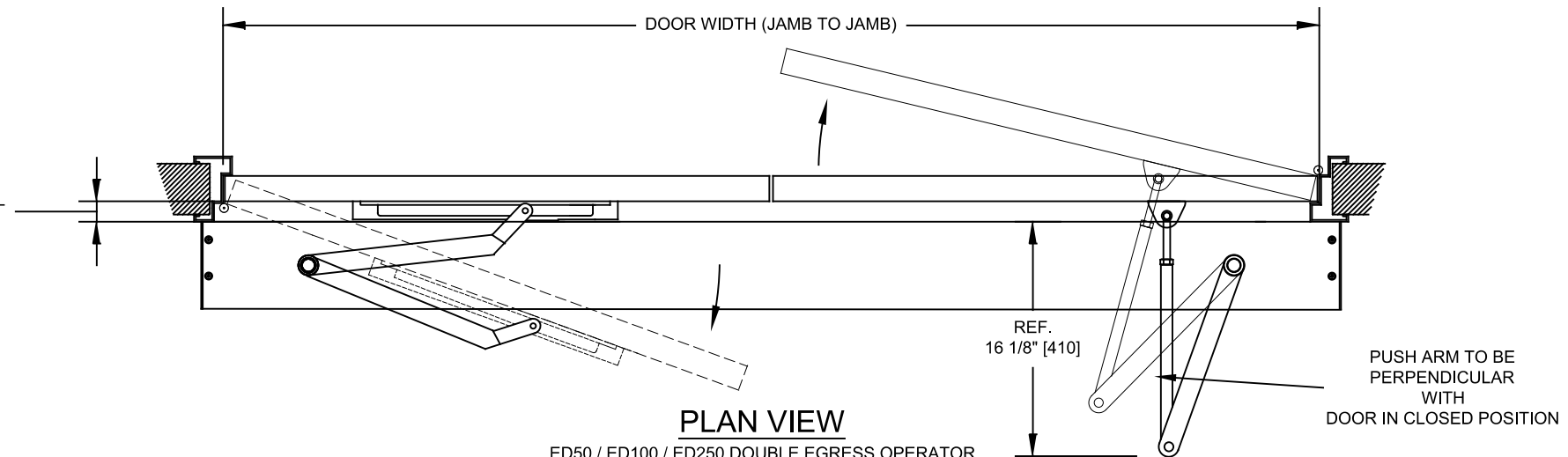


ELEVATION VIEW

ED50 / ED100 / ED250 DOUBLE EGRESS OPERATOR
4 X 6 NARROW HEADER
RIGHT HAND SHOWN
(LEFT HAND OPPOSITE / LHR x LHR)



SYSTEM REVEAL
0" - 2 1/4" [57]



PLAN VIEW

ED50 / ED100 / ED250 DOUBLE EGRESS OPERATOR
4 X 6 NARROW HEADER
RIGHT HAND SHOWN
(LEFT HAND OPPOSITE / LHR x LHR)

PUSH AXLE EXTENSION (B)	PUSH SHOE HEIGHT	PUSH ARM CLEARANCE (D)	STANDARD (SHOWN)
1 3/16" [30]	2 11/16" [69]	1 3/4" [44]	FOR ED250 ONLY
2 3/8" [60]	3 7/8" [99]	2 15/16" [74]	

1. The ED50, ED100 & ED 250 Double Egress package consists of:

- A. Operator:
 - ED50 Low Energy door leaf: - Up to 48" [1219] wide, 220 lbs [100]
 - ED100 Low Energy door leaf: - Up to 48" [1219] wide, 250 lbs [113]
 - ED100 Full Power door leaf: - Up to 48" [1219] wide, 220 lbs [100]
 - ED250 Low Energy door leaf: - Up to 48" [1219] wide, 700 lbs [317]. (interior applications only)
 - ED250 Full Power door leaf: - Up to 48" [1219] wide, 600 lbs [272]. (exterior applications - prevailing conditions at opening must be considered)
 - ED250 Full Power door leaf: - Up to 48" [1219], 320 lbs [145]. (exterior applications - prevailing conditions at opening must be considered)
- B. Arm Kit:
 - Push arm reveal = 0" to 8-3/4" [222] Max.
 - Deep pull arm reveal = 0" to 2 1/4" [57] Max.
 - Standard 20MM [1 3/16"] axle extension kit.
- C. Connection Kit:
 - #12 x 2-1/2" Phillips Flat Head Wood Screws.
 - #12 x 1-1/2" Phillips Flat Head Self Drilling Screws.
 - #8 x 1-3/4" Pan head wood screws to mount track.
 - M5 x 0.8 x 30mm Pan head machine screws to mount track. (Maximum 52" [1320 wide, 550 lbs [250])

2. Finishes:

- A. Extruded Cover:
 - Clear or Dark Bronze anodized finish (Standard).
 - Custom painted.
 - Custom anodized.
 - Cladding.
- B. Arms:
 - Silver or black painted.
- C. Endcaps:
 - Black plastic.

3. Typical Package Options:

- A. dormakaba Upgrade cards. (See brochure for details).
 - Fire Protection upgrade card.
 - Barrier-Free Toilet upgrade card.
- B. Axle extensions (See chart for available lengths).
- C. Alternate deep pull arm with reveal = 0" to 2 1/4" [57] Max.
- D. Handed or un-prepped header options available (RH, LH or blank for single headers)

4. Drawing Notes:

- A. Drawing dimensions are in English & Metric units. Metric units are displayed as: 1" [25] millimeters.
- B. Operator dimensions:
 - Each door operator is manufactured to your custom width requirements (Minimum header width 60" [1524]).
 - Operator weight: 30 lbs [13kg].
- C. Maximum opening angle of 110°.
- D. Auxiliary/External stop recommended.
- E. See installation manual for further details.

5. Power Requirements:

- A. 115V +/-15%, 50/60 Hz, 6.6A peak (per operator). Service to header by electrician.

6. Standards of Compliance:

- A. UL 325 & CSA 22.2 (listed with UL).
- B. Designed to comply with these standards depending on installation and application:
 - International Building Code (Section 1008).
 - ANSI/ BHMA 156.10 (Current version) (Requires monitored safety sensors) (May also require guide rails depending on configuration).
 - ANSI/ BHMA 156.19 (current version) (Requires additional knowing activation devices not shown in drawing).
 - NFPA 101 Life Safety Code (Section 7.2.1.9).
- C. Refer to Local, State, National or AHJ. Building Code for minimum door height and minimum/maximum width allowable for egress requirements.
- D. Tested to UL 10C positive pressure fire test for door assembly.

7. Contact dormakaba Architectural Services for more information:

- A. Phone: 1-844-SPEC-NOW (1-844-773-2669)

dormakaba
1 Dorma Drive, Reamstown PA 17567 Phone: 717-336-3881

Drawing Title: **ED50, ED100 & ED250 AUTOMATIC SWING DOOR**

DOUBLE EGRESS SURFACE APPLIED HINGED

© dormakaba Inc. Subject to Change Without Notice. Date: 10-MAY-2022