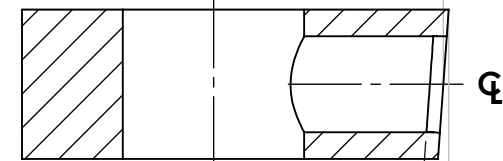


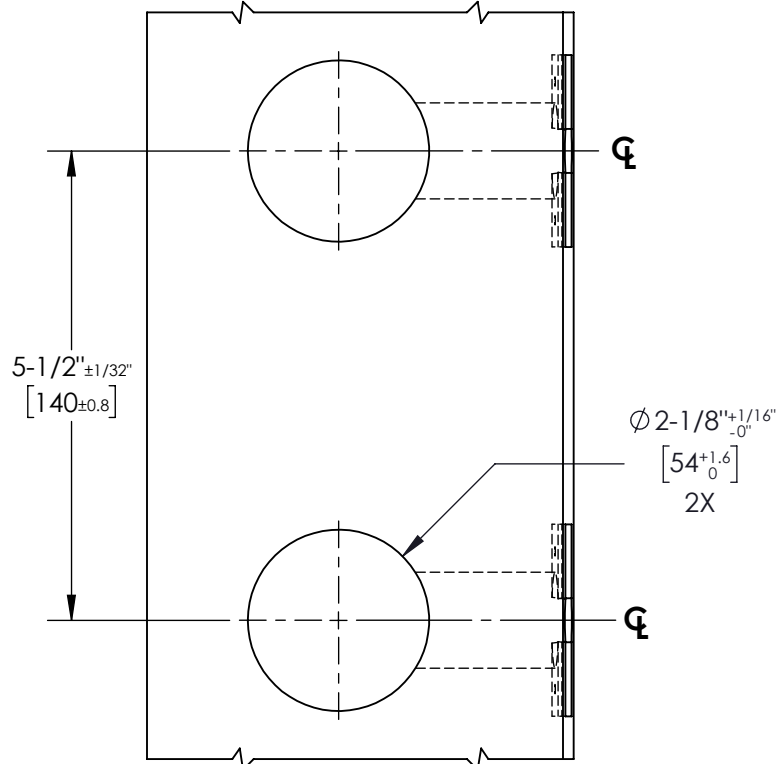
BACKSET TO ϕ
OF DOOR THICKNESS



**BEVELED EDGE
DETAIL**

$5/32^{+1/32}_{-0}$
[4^{+0.8}₀]

1/8" OVER 2" BEVEL
[3mm OVER 51mm]

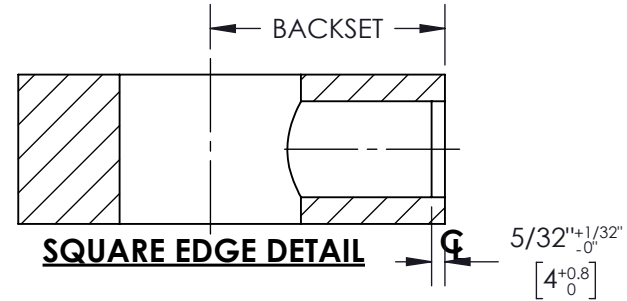


DOOR FACE DETAIL

NOTES:

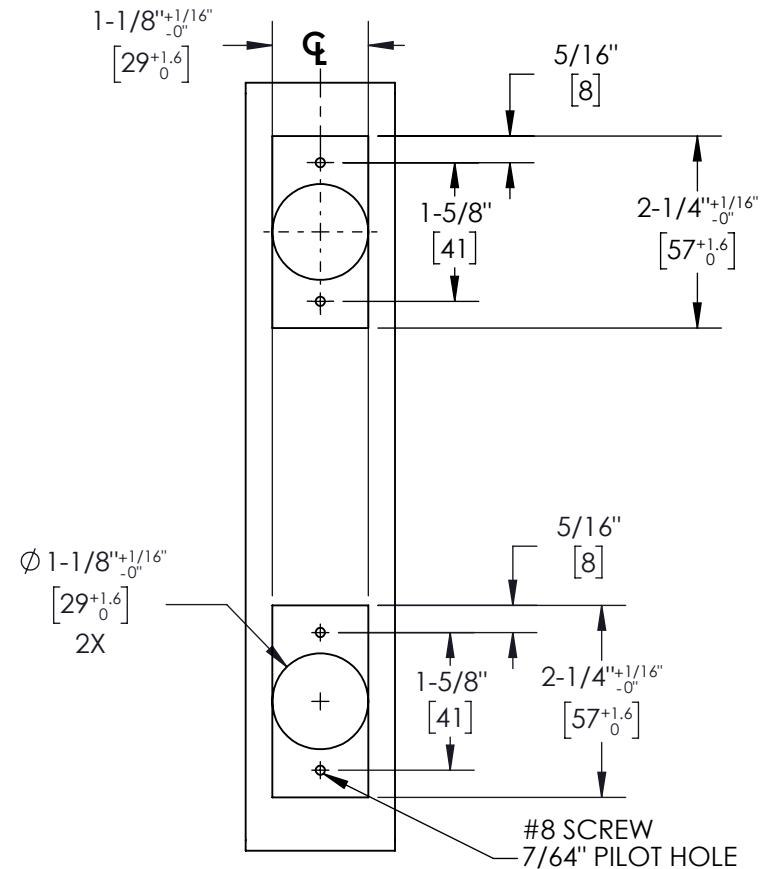
1. DRAWING IS NOT TO SCALE.
2. DIMENSIONS ARE IN INCHES/[MM].

WOOD DOORS FOR:
J310, J353 WITH 5-1/2" CENTERS
FACE PLATE 1-1/8" FLAT OR BEVELED



SQUARE EDGE DETAIL

$5/32^{+1/32}_{-0}$
[4^{+0.8}₀]

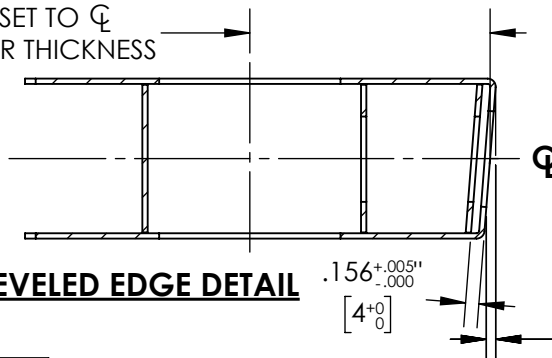


DOOR EDGE DETAIL

#8 SCREW
7/64" PILOT HOLE
4X

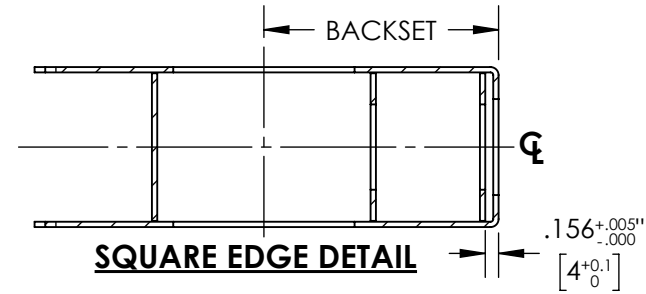
BACKSET TO ϕ
OF DOOR THICKNESS

BEVELED EDGE DETAIL



$.156^{+.005}_{-.000}$
[4⁺⁰₀]

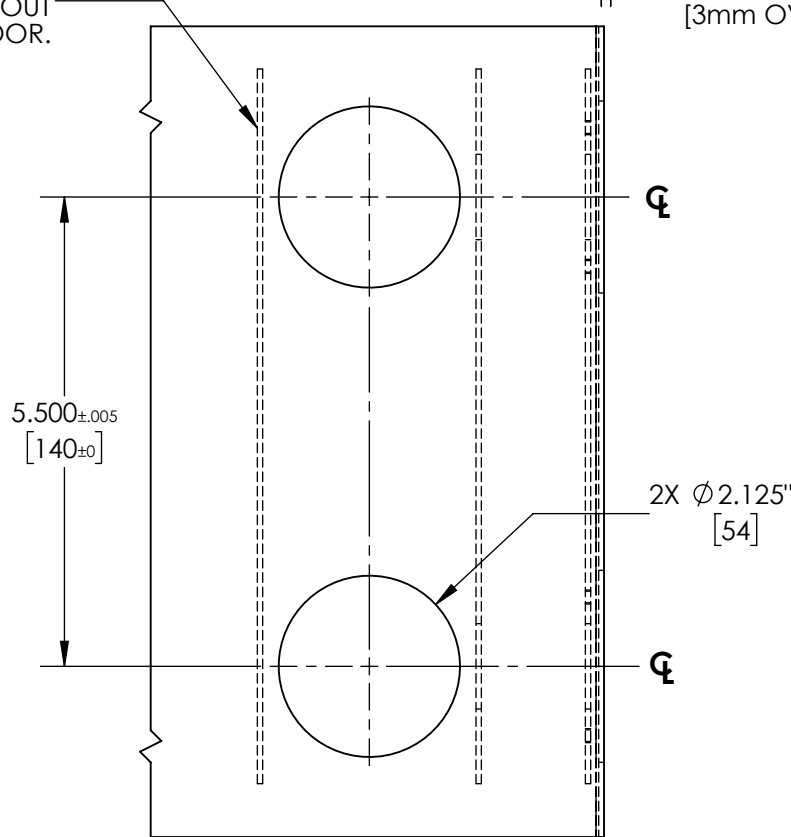
$.109''$ OVER 2.0 BEVEL
[3mm OVER 51mm]



SQUARE EDGE DETAIL

$.156^{+.005}_{-.000}$
[4^{+0.1}₀]

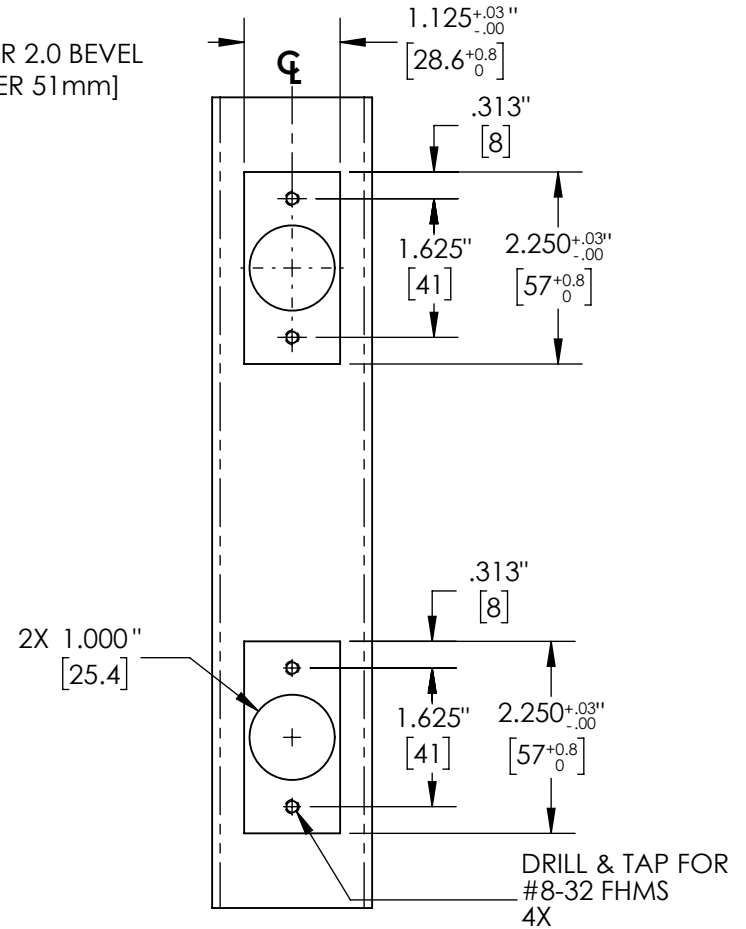
NOTE: LATCH CASE AND LOCK CHASSIS SUPPORTS MUST BE DESIGNED TO PROVIDE ADEQUATE STRENGTH TO SUPPORT THE LOCK WITHOUT CRUSHING THE DOOR.



$5.500_{\pm 0.005}$
[140 ± 0]

2X $\phi 2.125''$
[54]

DOOR FACE DETAIL



$1.125^{+.03}_{-.00}$
[28.6^{+0.8}₀]

$.313''$
[8]

$1.625''$
[41]

$2.250^{+.03}_{-.00}$
[57^{+0.8}₀]

$.313''$
[8]

$1.625''$
[41]

$2.250^{+.03}_{-.00}$
[57^{+0.8}₀]

2X $1.000''$
[25.4]

DRILL & TAP FOR
#8-32 FHMS
4X

DOOR EDGE DETAIL

NOTES:

1. DRAWING IS NOT TO SCALE.
2. DIMENSIONS ARE IN INCHES/[MM].

METAL DOORS FOR:
J310, J353 WITH 5.500" CENTERS
FACE PLATE 1-1/8" FLAT OR BEVELED