



KES900S

Preload electric strike – monitored stainless steel

The KES900S electric strike with pre-load feature is capable of releasing with up to 35kgs of pressure. Commonly caused by air pressurisation, doors that might have dropped or warped or the addition of door seals.

Constructed of a stainless steel housing and keeper offering a high level of security that can withstand up to 1000kgs of static force.

The KES900S offers dual voltage of 12VDC/24VDC and includes convenient fail safe/fail secure function (changeable on site).

Also included are pre-drilled holes for optional lip extensions and installation tabs for metal frame.

Lip extensions are provided to meet the needs of a particular door jamb width.

Advantages at a glance:

- Field reversible fail-safe or fail-secure
- Operating voltage 12VDC/24VDC
- Monitored latch and lock status
- Suits latch throw up to 18mm
- Preload – Up to 35kg (80lbs)
- Pre-drilled for optional lip extensions
- Includes mounting tabs for metal frame
- Stainless steel construction
- Fire rated
- Static holding force of 1000kg (2200lbs)

dormakaba Australia
Head Office
12-13 Dansu Court
Hallam VIC 3803
T 1800 675 411
info.au@dormakaba.com
www.dormakaba.com.au

dormakaba New Zealand
Head Office
Building P, 61-69 Patiki Road
Avondale, Auckland 1026
T: 0800 436 762
info.nz@dormakaba.com
www.dormakaba.co.nz

Specifications

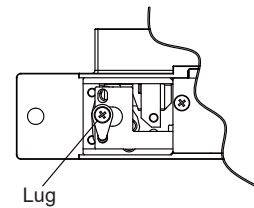
Dimensions	1745L x 44W x 27D(mm)
Holding force	1000kg (2200lbs)
Preload	35kg (80lbs)
Voltage	12/24VDC
Voltage tolerance	+/-15%
Current usage	600mA/12VDC, 300mA/24VDC
Operating temperature	-10°C ~ +49°C
Humidity	0-85% non-condensing
Operating mode	fail secure/fail secure
Cycle tested	1 million
Material	
Housing	stainless steel
Keeper	stainless steel
Ordering details	
Article number	9400000012900

Changing fail-safe/fail-secure

Fail-safe or fail-secure operation is field reversible by changing the direction of the lug.

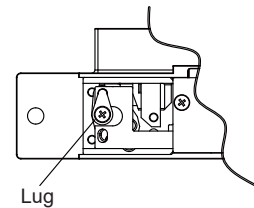
Fail-secure

(power to open)

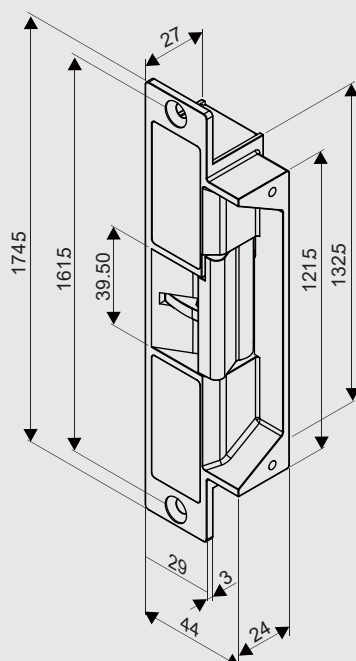


Fail-safe

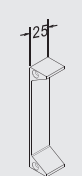
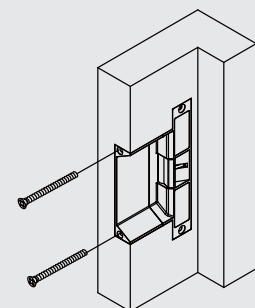
(power to lock)



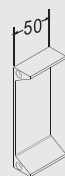
Dimensions



Optional accessories lip extensions



KESLP125



KESLP150