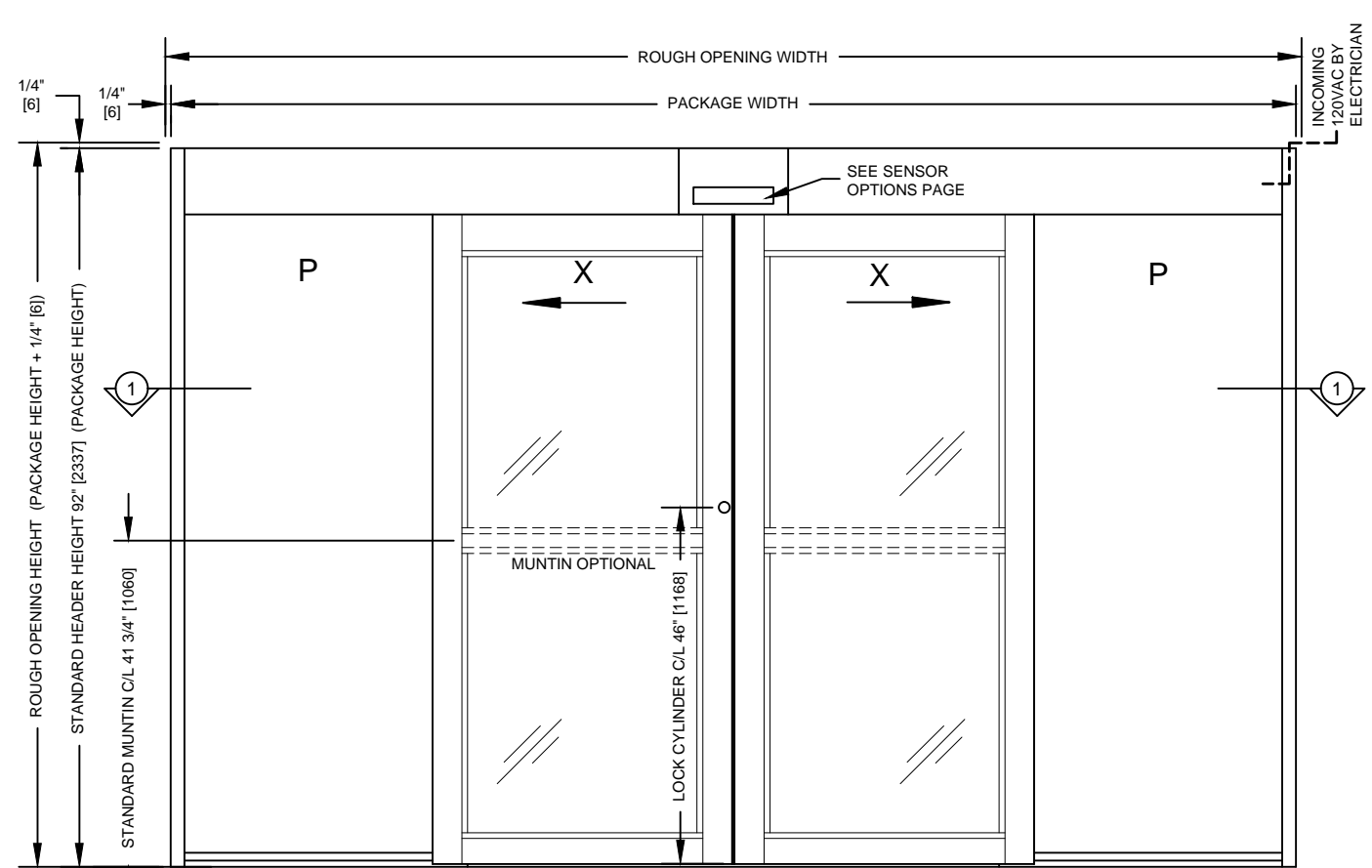
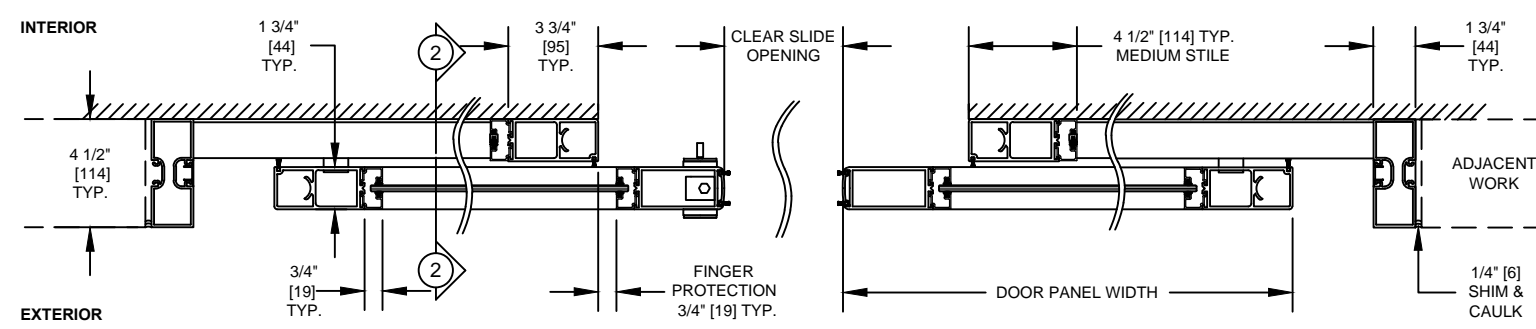


**SECTION 2**  
TYPE: P-X-X-P



**EXTERIOR ELEVATION**  
TYPE: P-X-X-P



**SECTION 1**  
TYPE: P-X-X-P

| Package Width        | Rough Opening Width       | Clear Slide Opening                   | Door Panel Width                  |
|----------------------|---------------------------|---------------------------------------|-----------------------------------|
| (10'-0") 120" [3048] | 120 1/2" [3061]           | 43 1/16" [1094]                       | 31 1/4" [794]                     |
| (12'-0") 144" [3658] | 144 1/2" [3670]           | 55 1/16" [1399]                       | 37 1/4" [946]                     |
| (14'-0") 168" [4267] | 168 1/2" [4280]           | 67 1/16" [1287]                       | 43 1/4" [1099]                    |
| (16'-0") 192" [4877] | 192 1/2" [4890]           | 79 1/16" [2008]                       | 49 1/4" [1251]                    |
| Width Formulas       | Package Width + 1/2" [13] | (Package Width / 2) - 16 15/16" [430] | (Package Width / 4) + 1 1/4" [32] |

- This Surface Applied Bi-part door package consists of:
  - Operator:
    - Two combination motion/presence sensors (one on each side) (See sensor options page).
    - ESA II motor drive unit with self-learning and self-monitoring microprocessor controller.
    - Jamb mounted 5 function rocker switch panel (see mode switch options page).
  - Panels:
    - 4-1/2" [114] Medium stile door panels (including 3/4" [19] wide glass stop).
    - 3-1/4" [83] Optional muntin mounted at 41-3/4" [1060] centerline on all panels (including 3/4" [19] wide glass stop).
    - 4" [102] Bottom rails (including 3/4" [19] wide glass stop).
    - 1-3/4" [44] x 4-1/2" [114] Double pocket jambs.
    - Vertical and horizontal brush type weather stripping (AAMA-701-11Class A).
    - Manual mortise lock with thumb turn and key cylinder.
    - 3/4" [19] wide snap-in glass stops for glazing from 1/4" [6] to 1-1/4" [32] thick at 1/8" [3] increments.
    - 3-1/4" [83] x 1/8" [3] Beveled ADA Compliant Threshold.
    - Non-breakaway sliding door panels (X) and vertical pocket tubes (P).
  - Finishes:
    - Clear anodized (BHMA 204).
    - Dark Bronze anodized (BHMA 313).
- Typical Package Options:
  - Finishes: special anodized, PVDF (wet) paint, powder coat, and cladding available for header, panels and jambs only.
  - Muntins: multiple muntins, various heights, locations and recessed exit device.
  - Bottom Rails: 7" [178], 10" [254]. Other options available.
  - Santoprene rubber weather stripping available.
  - Locking and Security Options:
    - Fail-safe autolock sliding carrier lock concealed in header.
    - 2-point lock and reinforced strike.
    - Security contacts.
    - Keyed mode switch panel (5 function or 3 function) (see mode switch options page).
  - Jambs: 1-3/4" [44] x 4-1/2" [114] and 2" [51] x 6" [152] smooth available.
- Dimensions:
  - Drawing dimensions are in English & Metric units. Metric units are displayed as: 1" [25] millimeters.
  - Typical Package Dimensions (Glass thickness may be limited by panel size):
    - Each door package is manufactured to your custom size requirements.
    - Package Width: Min. 10' [3048] to Max. 16' [4877].
    - Header Height: Min. 7'-4 1/2" Max. 10' [3048].
    - X Panel Weight: Max. Weight 350 lbs [160kg].
  - Maximum special application limits: (Sizes may be restricted due to complexity and application) (Please contact Dorma Architectural Services for dimensions outside of typical sizes above).
    - Package Width: Max. 21' [6401].
    - Header Height: Max. 12' [3658].
    - X Panel Width: Max. Width 72" [1829].
  - The maximum self-supported header width is 16' with 200 lb [90kg] X Panels.
- Power Requirements:
  - 120V +/- 10%, 50/60 Hz, 6.6A peak, 250 W. Up to 4 operators on a single 20A breaker. Service to header by electrician.
- Standards of Compliance:
  - UL 325 & CSA 22.2 (listed with ETL).
  - Designed to comply with these standards depending on installation and application:
    - International Building Code (Section 1008).
    - ANSI/ BHMA 156.10.
    - NFPA 101 Life Safety Code (Section 7.2.1.9).
  - Refer to Local, State, National or AHJ. Building Code for minimum door height and minimum/maximum width allowable for egress requirements.
- Contact Dorma Architectural Services for more information:
  - Email: Autosupport@dorma-usa.com
  - Phone: 1(844)773-2669

ESA100 BMP Sheet 1 of 1

**DORMA USA Inc.**

924 Sherwood Dr. Lake Bluff, IL 60044 Phone: 800-523-8483

Drawing Title: **ESA100 AUTOMATIC SLIDING DOOR**

**NON-BREAKOUT SURFACE APPLIED BI-PART MEDIUM STILE**

© DORMA USA Inc. Subject to Change Without Notice. Date: 19-FEB-2015