

TS 72

Door closer



Clearly crafted

The dormakaba TS 72 is the perfect choice for interior doors up to 1100mm in width. With its timeless Classicline design it can be installed right alongside the TS 83 and TS 73 door closers providing a uniform appearance for projects. The TS 72 door closer offers excellent quality and an optional range of accessories all at an affordable price.

The ideal cost efficient solution

for doors up to 1100mm wide, tested and approved to EN1154

The dormakaba TS 72 is the ideal multi-purpose door closer for all standard door designs and constructions.

Without a backplate, it is particularly easy and quick to fix. The spring strength can be individually adapted to the door size by means of an adjusting screw.

Certified to ISO 9001

Benefits

For the trade

- Just one model for all standard doors.
- Increasing stocking flexibility thanks to use of the standard ClassicLine series arm.

For the user.

- Constant closing action virtually unaffected by temperature fluctuations.
- Optimum closing speed adjustment with two regulating valves.
- Reliable closing with adjustable latching action.
- Optimum wall and door protection thanks to "thinking" backcheck on TS 72.

For the installer

- Non-handed design.
- Closing force, closing speed and latching action adjustable in just a few movements.

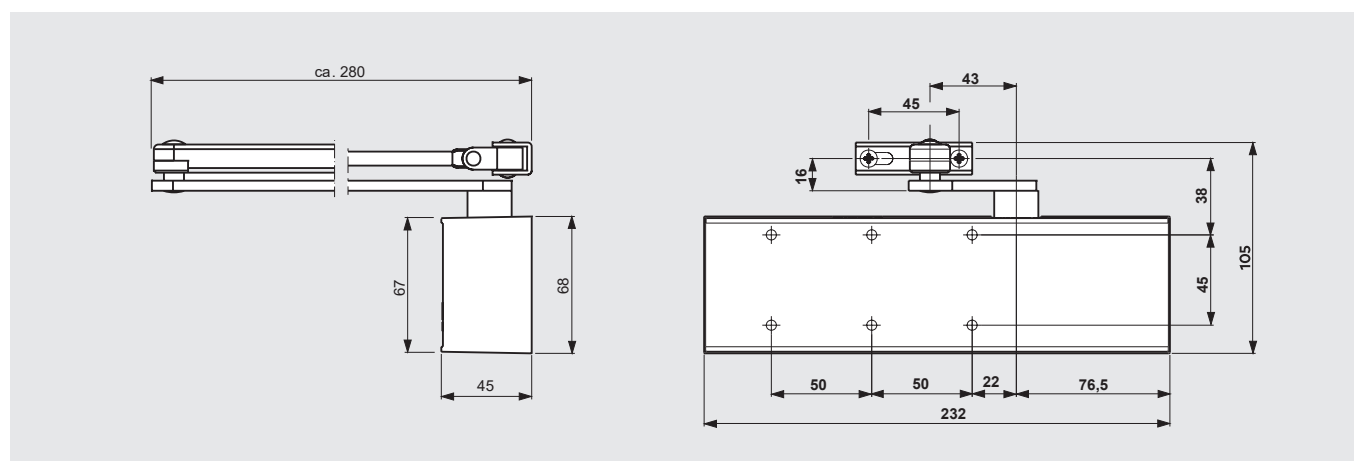
For the specifier/architect

- Outstanding value for money.
- Compact construction combined with timeless design.

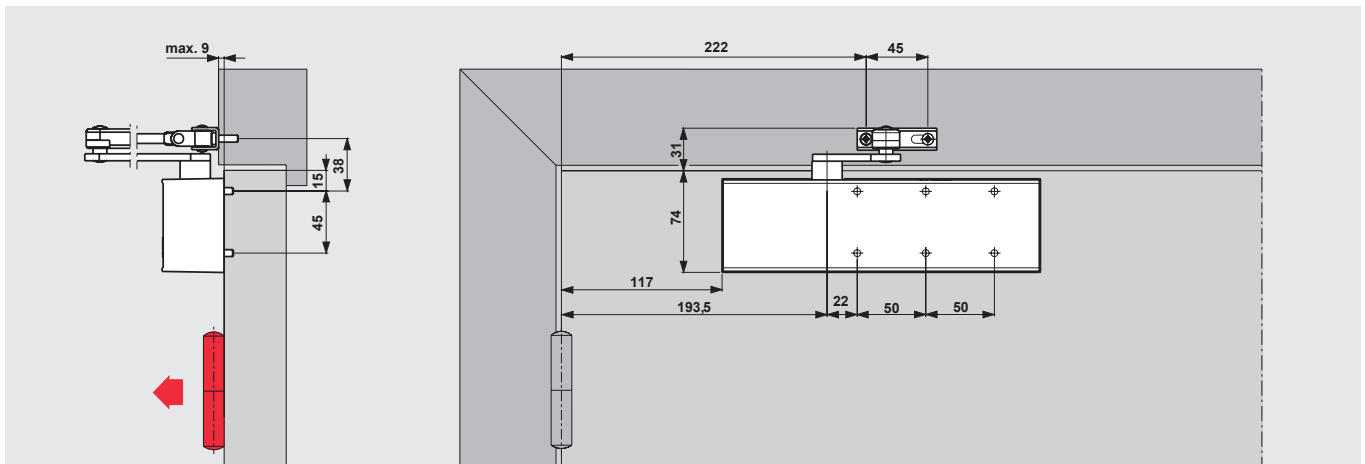
| Data and features | | TS72 |
|---|---------------|----------|
| Spring strength adjustable | Size | EN 2 – 4 |
| Standard doors ¹⁾ | ≤ 1100 mm | • |
| External doors, outward opening | | – |
| Fire doors | | • |
| Non-handed | | • |
| Arm assembly | Standard | • |
| | Slide channel | – |
| Closing speed adjustable at 2 separate valves | 180° - 15° | • |
| | 15° - 0° | • |
| Adjustable latching action by arm | | • |
| Backcheck | | • |
| Delayed action | | – |
| Hold-open | | ○ |
| Weight in kg | | 1.2 |
| Dimensions in mm | Length | 232 |
| | Overall depth | 45 |
| | Height | 68 |
| Door closer tested to EN 1154 | | • |
| CE-mark for construction products | | • |
| Approved to AS1905 Part1 Fire Resistant Doors | | • |

• yes – no ○ option

¹⁾ With parallel arm fixing, the closing force is approximately 20Nm (for doors up to 950mm)

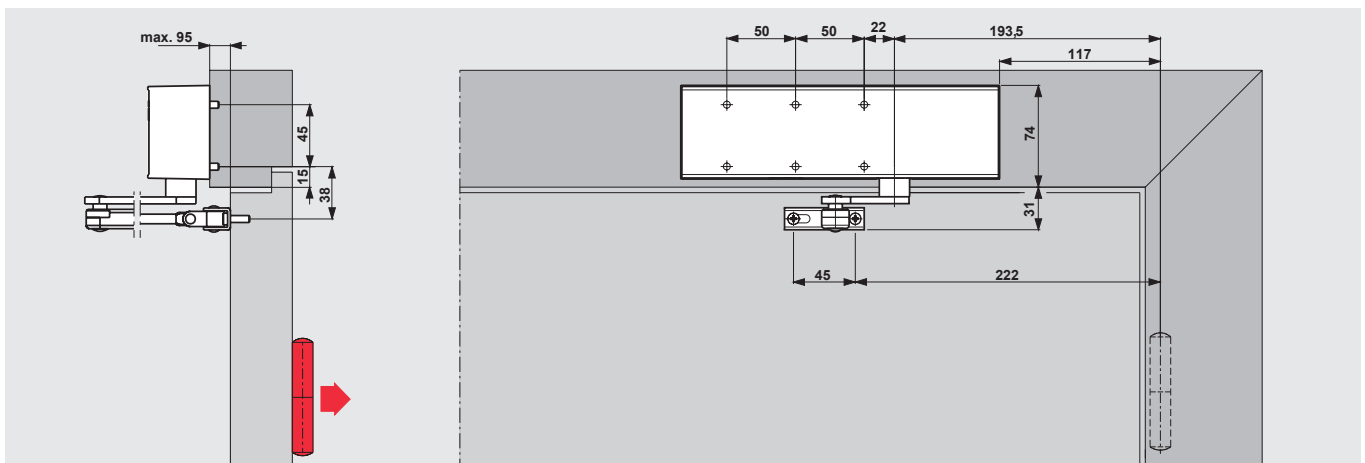


Door leaf fixing pull-side



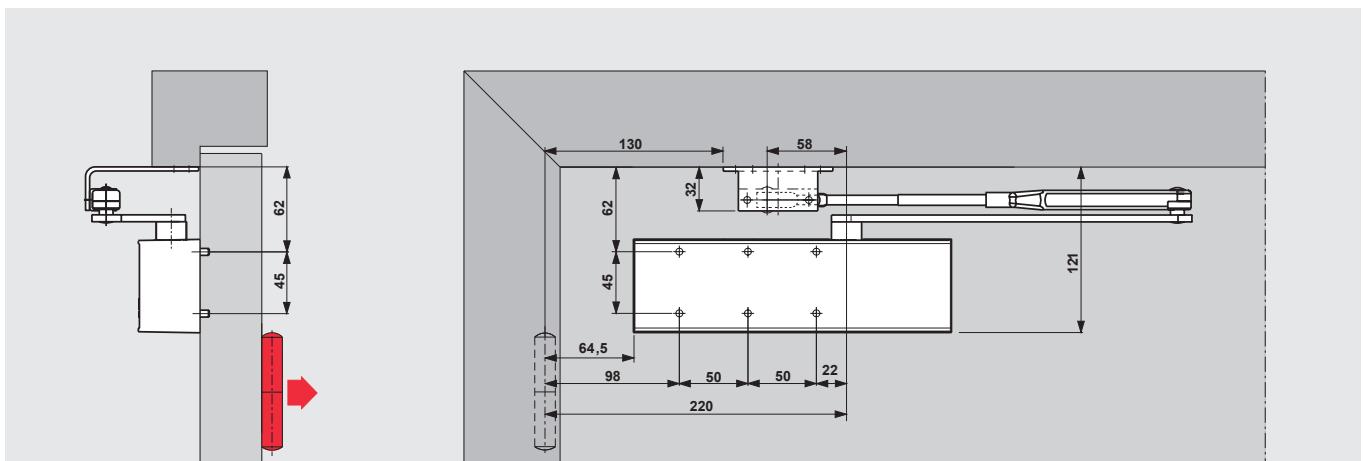
(Example refers to left-hand (IS06) door; mirror image applies to right-hand (IS05) door).

Transom fix (overhead frame installation), push side



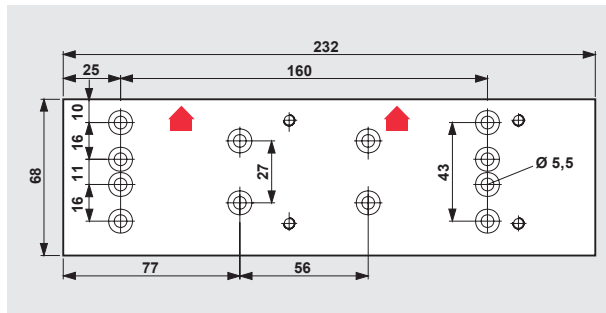
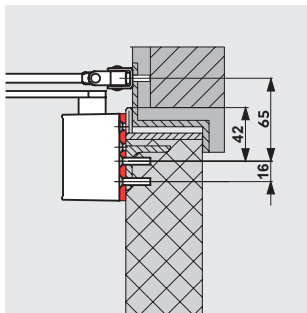
(Example refers to left-hand (IS06) door; mirror image applies to right-hand (IS05) door).

Parallel arm fixing, push side



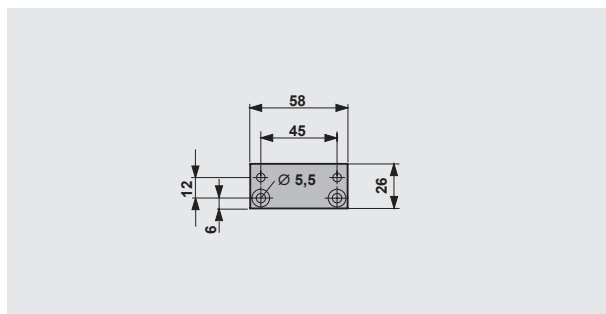
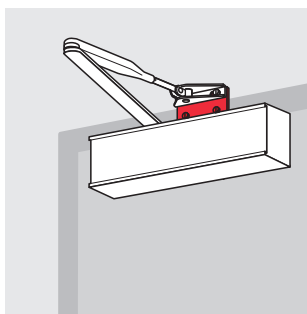
(Example refers to left-hand (IS06) door; mirror image applies to right-hand (IS05) door).
 With this fixing method, the closing force is approximately 20Nm (for doors up to 950mm)

Accessories



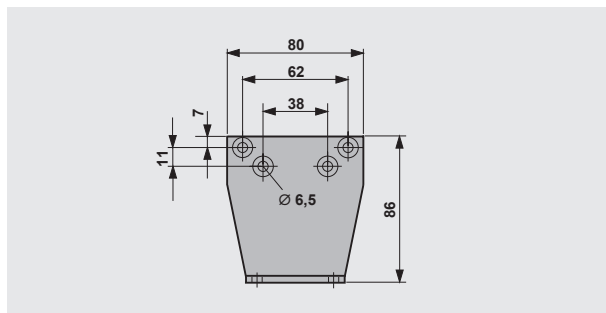
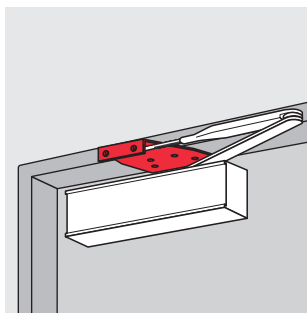
Mounting backplate

For fixing to doors on which the closer cannot be directly installed. Drilled hole pattern as per EN 1154, Supplement 1.



Upstand hinge bracket

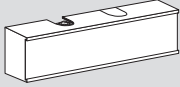

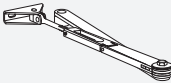
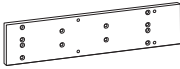


For fixing the arm to particularly narrow door frames.



Fixing bracket

For the parallel-arm configuration.

Supply and accessories information

| Closer body TS 72 | Standard arm | Hold-open arm with on/ off switch | Mounting back plate | Arm bracket adapter plate | Parallel arm bracket |
|--|---|---|---|---|---|
|  Size EN 2/3/4 ■ 222521xx |  □ 220023xx |  □ 220025xx |  22021xx |  830014xx |  280066xx |
| | ■ 222523xx | ■ 222525xx | | | |

Order No.

- = Body only
- = Arm only
- = Closer with arm, complete
- △ = Accessory

Colour

- Silver 01
- Special colour 09

xx

01

09

Specification text TS 72 EN 2/3/4

Rack-and-pinion door closer with adjustable closing force, size EN 2 – 4, closing speed adjustable in two independent ranges, with adjustable latching action. Non-handed.
 Tested and approved to EN 1154.

Make

dormakaba TS 72

Model

- with standard arm
- with hold-open arm

Accessories

Colour

- Silver
- Special colour

Standard and optional functions

With variable closing speed

The closing speed of the dormakaba TS 72 is variable in two independent ranges by separate valves.

In addition, the latching action can be adjusted at the closer arm.

Closing force settings

| Door width | Size setting |
|------------|--------------|
| ≤ 850 mm | EN 2 |
| ≤ 950 mm | EN 3 |
| ≤ 1100 mm | EN 4 |

The closing force (size) setting for the door width concerned is variable at the adjustment screw located at the end face of the TS 72 closer body.

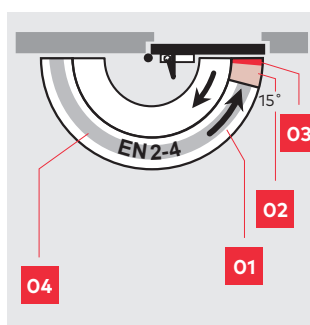
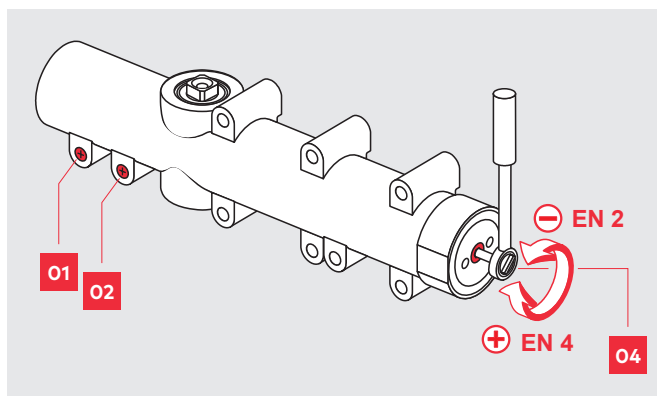
With "thinking" backcheck (TS 72 VBC only)

Thanks to an innovative design concept, the resistance developed by this backcheck system is directly proportional to door acceleration as the door is opened beyond approx. 70°. It is almost imperceptible when the door is opened slowly. However, if the door is opened roughly, the backcheck responds in equal measure.

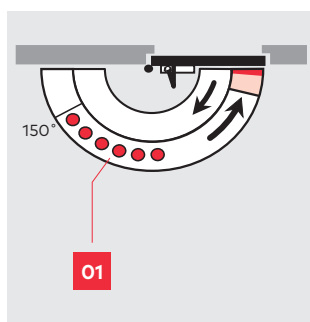
And if the door should be flung open at speed – whether deliberately, thoughtlessly, accidentally or as a result of a gust of wind – the backcheck reacts at full strength, protecting the wall and door from damage.

If backcheck function is required, the system can simply be switched on.

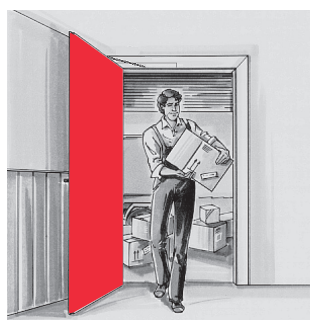
If the dormakaba TS 72 is installed with a hold-open arm, the doors can be held open at any desired point (up to approx. 150°).



- 01 Adjustable closing speed in the range 180° – 15°.
- 02 Adjustable closing speed in the range 180° – 15°.
- 03 Latching action (variable at arm).
- 04 Adjustable closing force.



- 01 Hold-open range.





**Door
Hardware**



**Entrance
Systems**



**Electronic
Access & Data**



**Interior Glass
Systems**



**Lodging
Systems**



**Mechanical
Key Systems**



Safe Locks



Services

Our Sustainability Commitment

We are committed to fostering a sustainable development along our entire value chain in line with our economic, environmental and social responsibilities toward current and future generations.

We seek an open, transparent dialogue with all stakeholders to define strategies and actions based on clear targets and continuous improvement, and we actively report on our progress.

DHW_TS 72 Door Closer Brochure_OCT 2023 DHW00037.
Subject to change without notice

dormakaba Australia

Head Office
12-13 Dansu Court
Hallam VIC 3803
T 1800 675 411
info.au@dormakaba.com
www.dormakaba.com.au

dormakaba New Zealand

Building P 61-69 Patiki Road
1026 Avondale/Auckland
New Zealand
T: 0800 436 762
info.nz@dormakaba.com
www.dormakaba.com.au