

Panel door closer RTS 85

Attractive – with a concealed installation in the door frame

Ideal for doors in variable partition walls. Can be used for double action doors as well as single action doors. Elegant, versatile, practical and with reliable quality.

The RTS 85 meets the demand for a door closer that is concealed in the frame and door construction. Of course this installation requires the appropriate design of the top frame and door construction.

With the appropriate accessories, the RTS 85 – a double action door closer with excellent quality – can also be used for mechanical stop doors.

ISO 9001 certified.

Advantages listed point by point

For trade

- Just **one** version for all installation options.
- Low storage and inventory costs due to separate packaging units for closers and accessories.

For installers

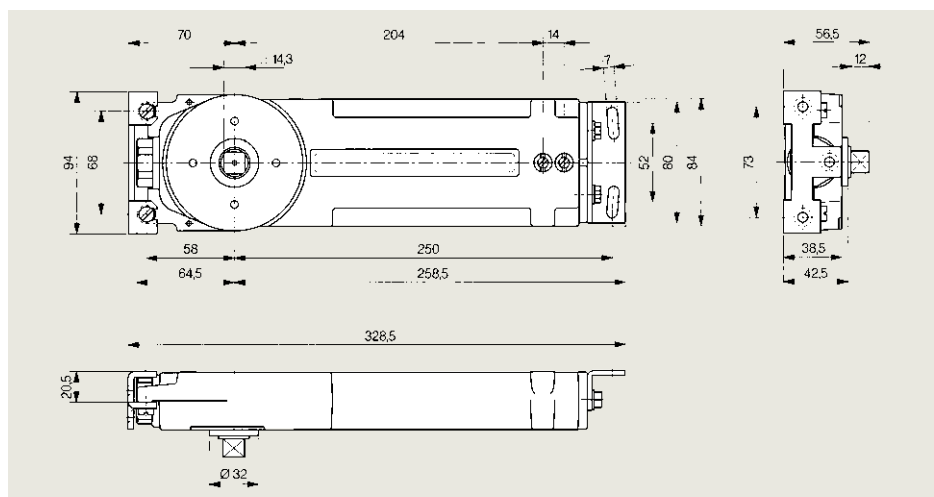
- Can be used on double action doors as well as on DIN-L and DIN-R doors.
- Installation and adjustment in conjunction with prefabrication in the workshop.
- No floor recesses required.
- Easily adjustable exact zero position for double action doors.
- Extensive range of accessories.

For planners

- Aesthetically attractive solution – especially for all-glass doors.
- Ideal for doors in variable partition walls.

For the end user

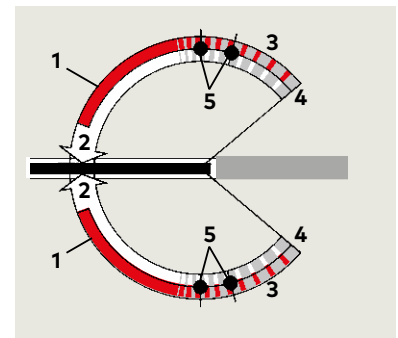
- Does not change the door and floor appearance.
- Cushioned limit stay to prevent the door from hitting the door frame.
- Adjustable delayed action soft closing.



Data and features		RTS 85		
		EN 3	EN 4	EN 5
Closing force				
General doors and exterior doors ¹⁾	≤ 950 mm	●	–	–
	≤ 1100 mm	–	●	–
	≤ 1,250 mm	–	–	●
Same design for double action doors as well as DIN-L and DIN-R doors		●	●	●
Closing time continuously adjustable using valve		●	●	●
Delayed action continuously adjustable using valve		●	●	●
Backcheck, progressive, mechanical		●	●	●
Cushioned limit stay, mechanical		●	●	●
Hold open	105°	○	○	○
	90°	○	○	○
Extended axis	5 mm	○	○	○
	10 mm	○	○	○
Reduced pivot point distance for all-glass doors (65 mm)		○	○	○
Weight in kg		4.7	4.8	4.9
Dimensions in mm	Length	323	323	323
	Depth	90	90	90
	Height	38	38	38
Door closers tested in accordance with EN 1154		●	●	●
CE-identification for construction products (Products with factory hold open do not have any CE identification)		●	●	●

● yes – no ○ Option

¹⁾ Door weight max. 110 kg. For particularly high and heavy doors, or those that are constantly closing against strong wind pressure, the next closer size should be selected.

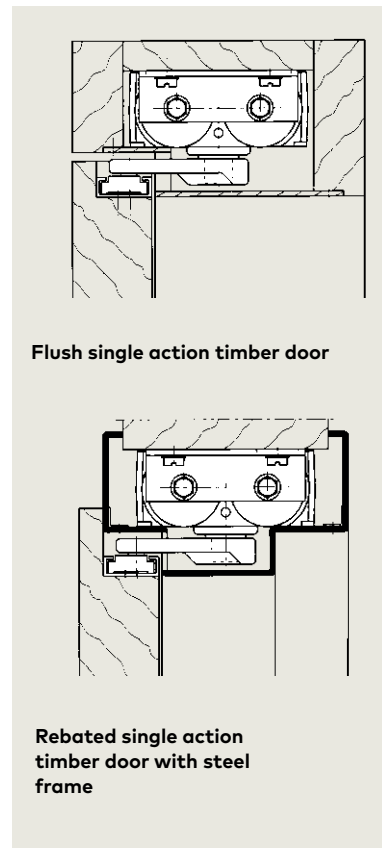
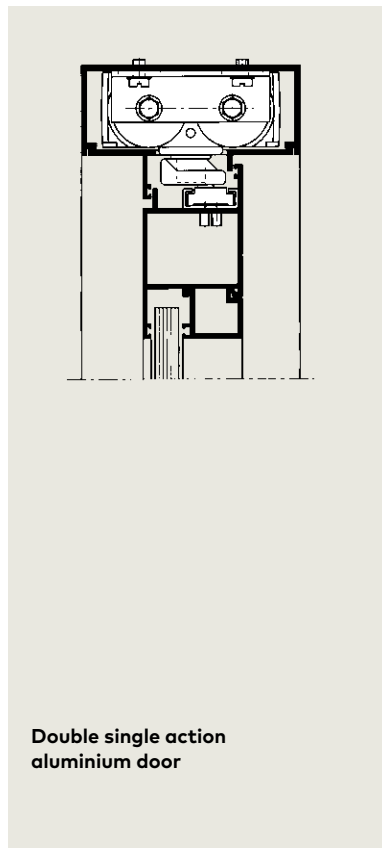
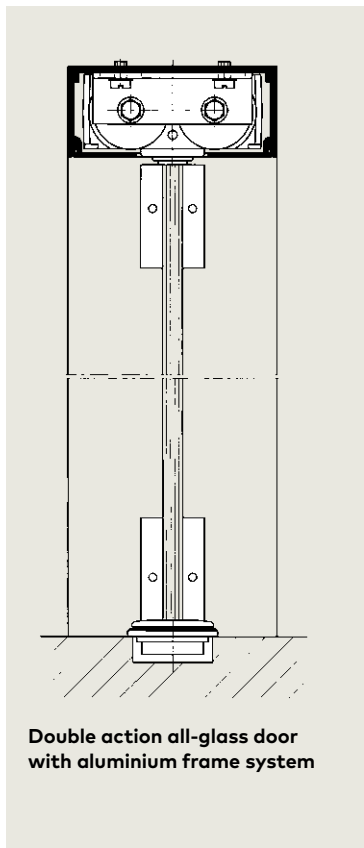
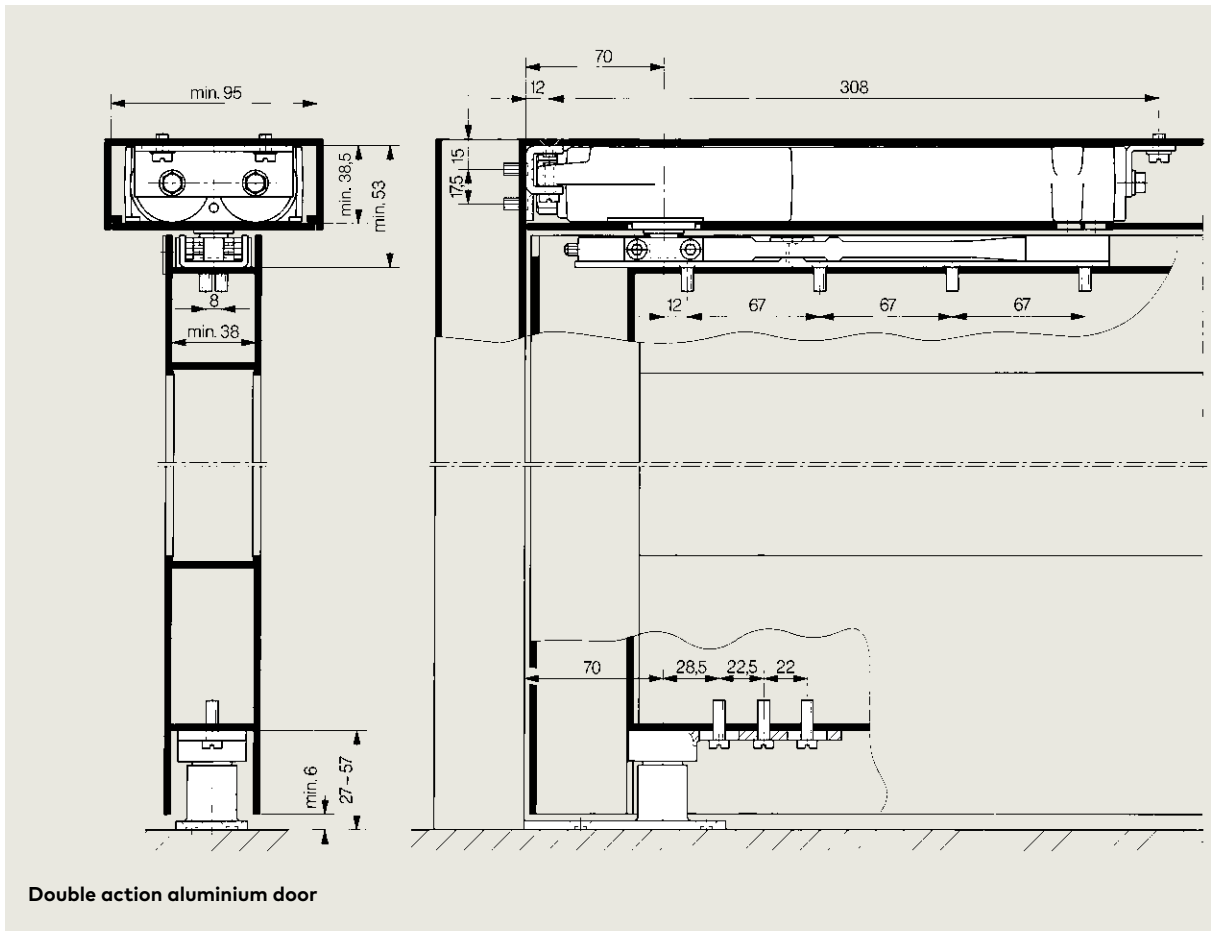


Standard and optional functions

- 1 Fully controlled closing with adjustable speed
- 2 Adjustable delayed action
- 3 Progressive mechanical backcheck
- 4 Mechanical cushioned limit stay*
- 5 Hold-open points – 105° or 90° (optional) depending on the version

* Door opening angle: max. 130° on both sides; in the case of heavy doors that can be opened further, it is essential to use door stoppers. In the case of single action doors, the opening angle of the door can be reduced depending on the door design.

Application and installation examples



Detailed 1:1 scale installation drawings are available on request.

Accessories for double action doors and centrally suspended single action doors (70 mm pivot point offset)

In the case of double action doors and centrally suspended single action doors, the RTS 85 panel door closer and the floor or threshold pivot also take over the function of the door hinges.

Side mounting

In the case of side mounting, the door is placed on the floor pivot at an angle parallel to the door frame and raised towards the closing axis. The connection between the closer axis and the door is made via the clamp screw connection of the door lever.

1 Door lever with channel

Item no. 8530

For door profiles with U-recesses 15 mm deep and at least 38 mm wide.

2 Floor pivot 27 mm high with backplate

Item no. 8550

For bottom profiles with U-recesses 18 to 20 mm deep. The bottom part is screwed directly onto the floor.

Floor pivot 57 mm high with backplate

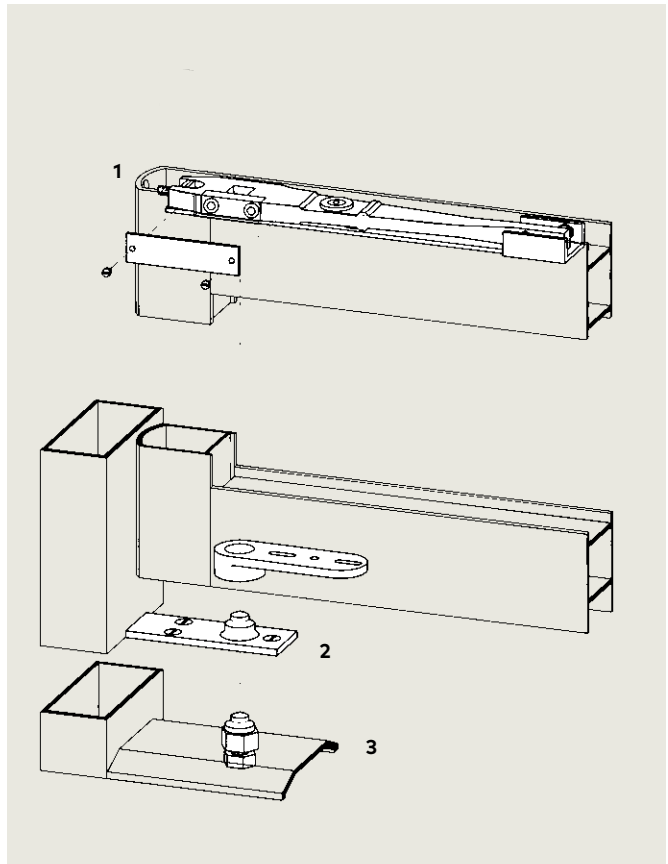
Item no. 8551

For bottom profiles with U-recesses 18 to 50 mm deep (shorten to the required dimension). The bottom part is screwed onto the threshold.

3 Threshold pivot 1" with backplate (as in 2)

Item no. 8554

For bottom profiles with U-recesses 25 mm deep; 5 mm floor play. The bottom part is screwed onto the threshold.



Front installation

For front installation, the front (pivot point side) of the door is pushed in at the same time over the floor pivot and closer axis. The floor pivot locks automatically with a locking catch. The connection between the closer axis and the door is made via the clamp screw connection of the door lever.

1 Door lever with channel

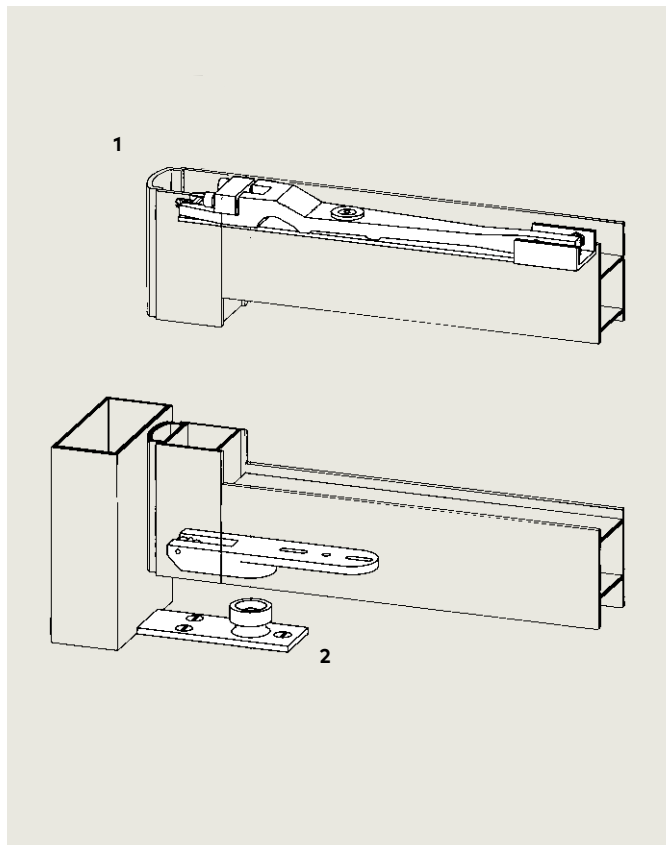
Item no. 8534

For door profiles with U-recesses 21 mm deep and at least 38 mm wide.

2 Floor pivot 27 mm high with backplate

Item no. 8552

For bottom profiles with U-recesses 18 to 20 mm deep. The bottom part is screwed directly onto the floor.



Accessories for single action doors with hinges

In the case of single action doors with hinges, the force is transmitted between the RTS 85 and the door via a lever with slide channel. If a panel door closer fitted with a hold-open device is used, it should be noted that the hold-open point of the door differs from that of the closer: 90° to 100° instead of 105°, depending on the door thickness. The maximum possible opening angle is reduced accordingly.

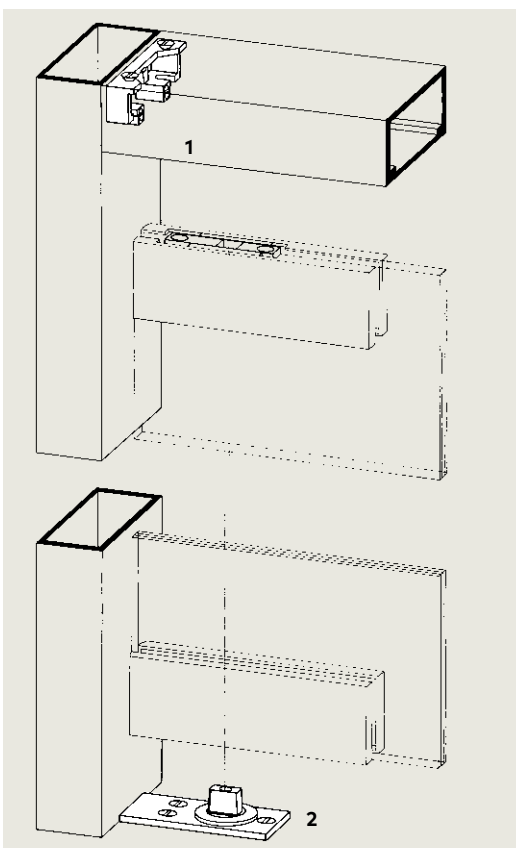
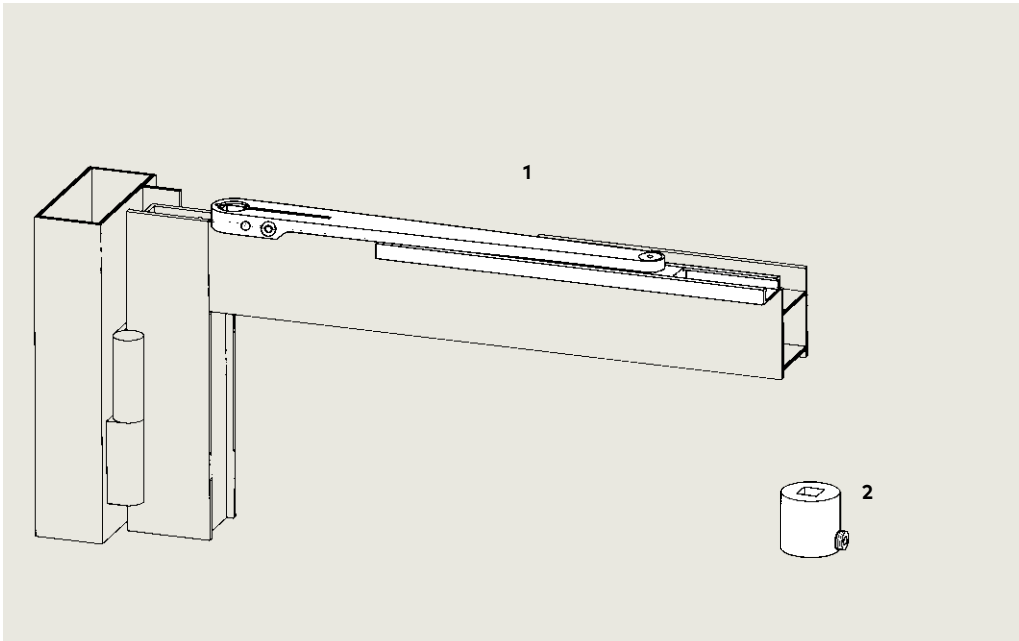
1 Door lever with slide channel

Item no. 8510

2 Welding eye

Item no. 8521

For steel frame doors, 40 mm long (can be shortened), Ø 38 mm



Accessories for all-glass doors (65 mm pivot point offset)

For all-glass doors, the RTS 85 is supplied with a special mounting bracket (item no. 8520 G) with a 65 mm pivot point offset. This means that standard fittings with corresponding inserts can be used. (Standard fittings with inserts are part of the dormakaba delivery program.)

1 Mounting bracket

Item no. 8520 G

For mounting the RTS in the door frame.

2 Floor pivot with flat axle

Item no. 8560 G

With encapsulated ball bearing, rust-proof, for a maximum door weight of 110 kg.

When used in combination with the corresponding door levers from the BTS floor spring accessory range, the floor pivot is also suitable for aluminium, steel and timber doors.

RTS 85 for single action and double action doors

Door closer RTS 85	Standard version	Standard version with hold open 105°	Standard version with hold open 90°	with ext. axis of 5 mm	with ext. axis of 5 mm and hold open 105°	with ext. axis of 5 mm and hold open 90°	with ext. axis of 10 mm	with ext. axis of 10 mm and hold open 90°
EN 3	85311101	85313101	85312101	85311102			85311103	85312103
EN 4	85321101	85323101	85322101	85321102	85323102	85322102	85321103	85322103
EN 5	85331101	85333101	85332101	85331102			85331103	85332103

Accessories	Door levers with channel	Floor pivot 27 mm high	Floor pivot 57 mm high	Threshold pivot 1"		Door levers with Slide channel for doors with mechanical stop	Welding eye
Side installation	85210005	65310300	65410300	65510400		85210001	85110001
Front installation	85210009	65320300					

RTS 85 for all-glass doors

Door closer RTS 85 G	Standard version	Standard version with hold open 90°	with ext. axis 5 mm		
EN 3	85311301	85312301	85311302		
EN 4	85321301	85322301	85321302		

Accessories	Floor pivot	Floor pivot 5 mm ext.	Floor pivot 10 mm ext.	Floor pivot 15 mm ext.	Floor pivot stainless steel
for RTS 85 G	65540000	85210025	85210026	85210027	65540059

Specification text

Door closer built into the top frame of the door, with progressive mechanical backcheck, adjustable closing time and delayed action.

Size

- EN 3
- EN 4
- EN 5

Version

- for double action doors and doors with mechanical stop (70 mm pivot point offset)
- All-glass doors (65 mm pivot point offset)
- without hold open
- 105° hold open
- 90° hold open
- with 5 mm extended axis
- with 10 mm extended axis
- Door lever item no. _____
- Floor pivot item no. _____

Make:

dormakaba RTS 85



Our Sustainability Commitment

We are committed to foster a sustainable development along our entire value chain in line with our economic, environmental and social responsibilities toward current and future generations.

Sustainability at product level is an important, future-oriented approach in the field of construction. In order to give quantified disclosures of a product's environmental impacts through its entire life cycle, dormakaba provides Environmental Product Declarations (EPD), based on holistic life cycle assessments.

The full EPD is available for download at www.dormakaba.com.



**Door
Hardware**



**Electronic
Access & Data**



**Mechanical
Key Systems**



Lodging Systems



**Entrance
Systems**



**Interior Glass
Systems**



Safe Locks



Service

dormakaba
International Holding AG
Hofwisenstrasse 24
CH-8153 Rümlang
T +41 44 818 90 11
info@dormakaba.com
www.dormakaba.com