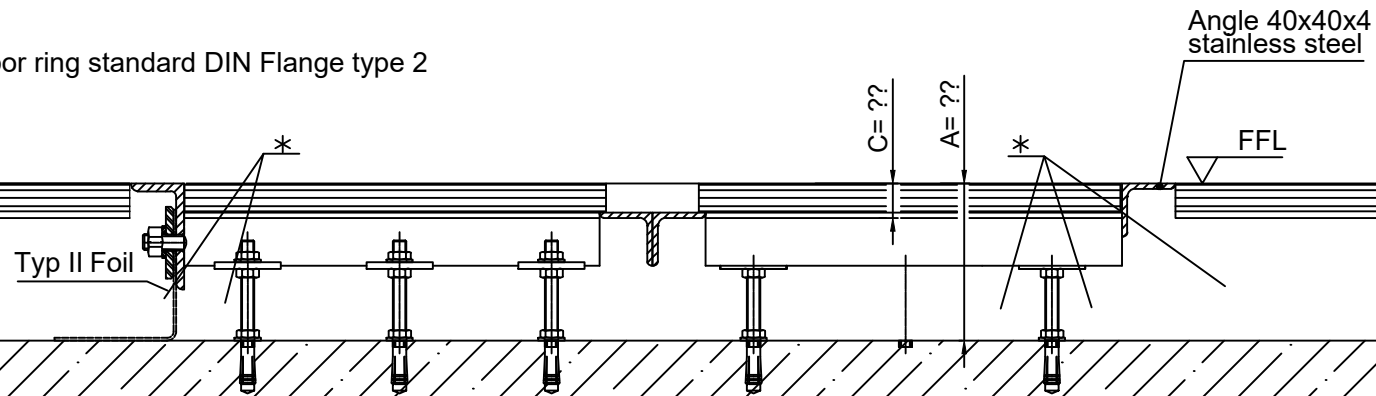


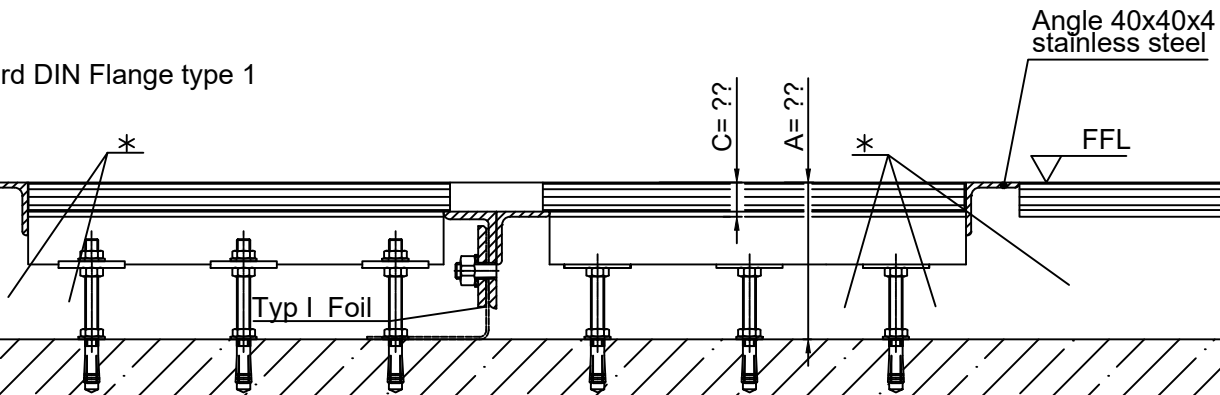
All concrete levels by the drawing and all needed reinforcement and welding details shall be provided.
 CONSULT CONTRACTORS THE REGISTRATION IN ITALY AND IN AUSTRIA AND THE RESPECTIVE OF
 CERTIFICATIONS SUBSISTANCES IN ELECTRICAL AND ELECTRONIC EQUIPMENT (E.E.E.)

The reproduction, distribution and diffusion of this document as well as the communication of its
 content to third parties is strictly prohibited. The user is authorized to use the content of this document for
 the project only. All rights reserved.

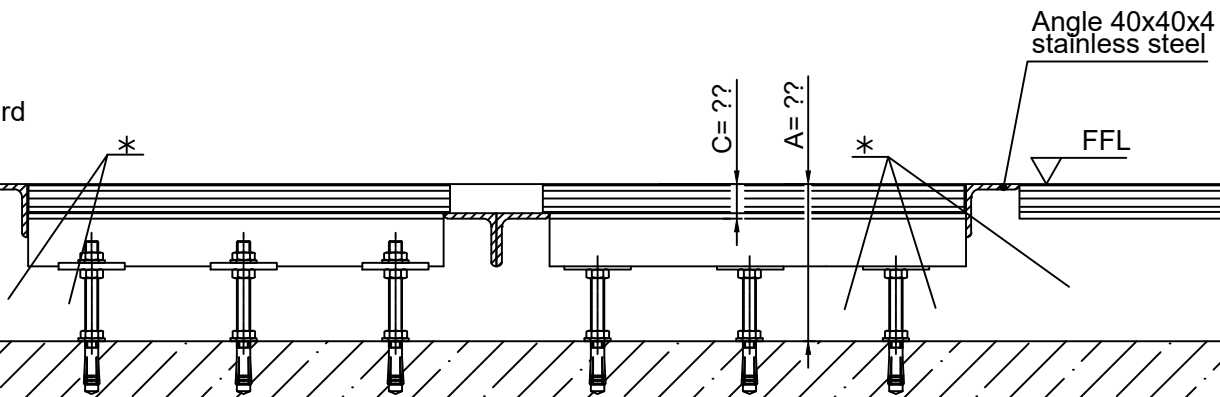
KTV 3;4, floor ring standard DIN Flange type 2



KTV 3;4, floor ring standard DIN Flange type 1



KTV 3;4, floor ring standard



* After the assembly of the floor ring, the free space between FCL and lower cant floor covering has to be filled with plaster by others
 Minimum screed compressive strength - 30N/mm²
 The floor ring must be filled with plaster before continuing the mounting of the door on top

Status: SERIAL PRODUCTION		Building Project / Commission:		Drawing Approval	
Modification					
11047		Customer:		Date / Name / Stamp	
07.05.2018	Italia	Sales Number:			
		Product:			
		Tolerances ISO 2768 part 1 and part 2, Tol.-cl. K			
Drawn by:		Material:		Seller:	
Checked by:				Made from:	
Scale:		Title:		No.:	
		KTV 3,4, floor ring		9501900605100	
		Format: A4		Sheet:	

