



8080 Offset Square Entrance Pull Handles

dormakaba's offset square entrance pull handles epitomize the high quality ambitions of the dormakaba brand – designed for excellence down to the very last detail and exuding fine craftsmanship. They offer genuine quality, characterised by clearly defined features – irrespective of shape or size.

Created in solid, premium 316 Marine Grade Stainless Steel offering superior corrosion resistance for internal and external use in high traffic buildings. The round section allows comfortable ease of use.

The 8080 entrance pull handles are an ideal choice for residential and commercial applications and are suitable for use on glass, timber and aluminium doors.

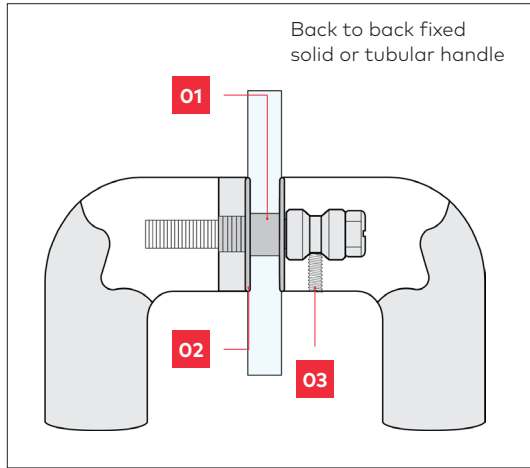
Please refer to ordering details for a range of optional accessories to suit:

- Back to back extended fixing for timber doors
- Back to back fixing for glass doors
- Disc fixing for timber doors
- Disc fixing for glass doors

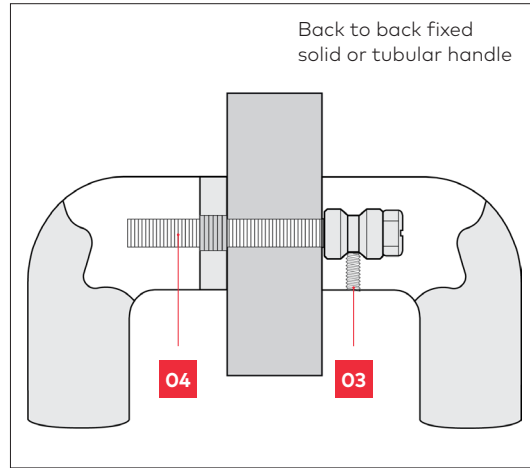
Features at a glance:

- 316 Marine Grade Stainless Steel
- Designed with your project's needs in mind
- High durability with concealed fixings
- Standard finishes: SSS and PSS
- Powdercoat and custom finishes available on request

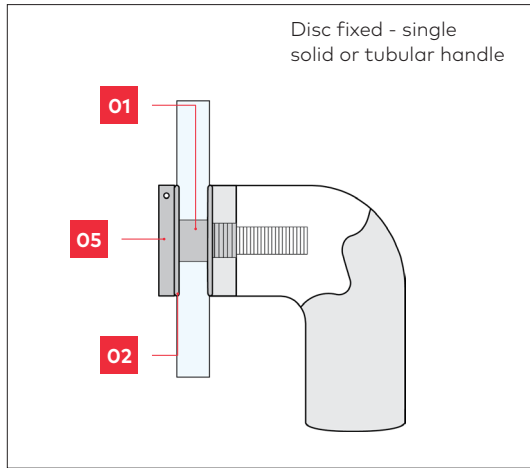
Fixing options



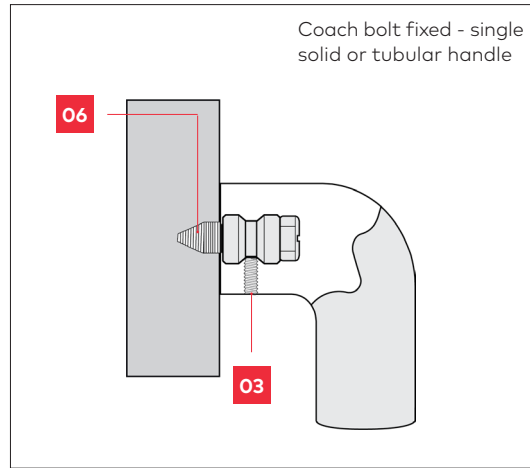
GD FIX - glass doors



TM FIX - timber or metal doors



D FIX - glass, metal or timber doors



C FIX - timber doors only

Note

Nylon spacers and washers are included with handle for glass door fixing option.

Legend

- 01** Spacer
- 02** Washer
- 03** Grub Screw
- 04** Bolt
- 05** Disc
- 06** Coach Bolt

TIMBER DOOR FIXING

Material Size	Bolt Size
14mm Ø	5mm
16mm Ø	5mm
19mm Ø	8mm
25mm Ø	8mm
32mm Ø	8mm

METAL DOOR FIXING

Material Size	Bolt Size
14mm Ø	5mm
16mm Ø	5mm
19mm Ø	8mm
25mm Ø	8mm
32mm Ø	8mm

GLASS DOOR FIXING

Material Size	Bolt Size
14mm Ø	12mm Ø
16mm Ø	12mm Ø
19mm Ø	12mm Ø
25mm Ø	12mm Ø
32mm Ø	12mm Ø

Ordering details

Item	Article Number	Description	Square Tube	Width	Length	Fixing Centers	Projection
BACK TO BACK FIXING							
B8080/240/19/PSS	9458082483102	B8080/240/19 OA 400 CTC 240 PSS	19mm	75mm	400mm	240mm	65mm
B8080/240/19/SSS	9458082483101	B8080/240/19 OA 400 CTC 240 SSS	19mm	75mm	400mm	240mm	65mm
B8080/440/19/PSS	9458083893102	B8080/440/19 OA 600 CTC 440 PSS	19mm	75mm	600mm	440mm	65mm
B8080/440/19/SSS	9458083893101	B8080/440/19 OA 600 CTC 440 SSS	19mm	75mm	600mm	440mm	65mm
B8080/640/19/PSS	9458085063102	B8080/640/19 OA 800 CTC 640 PSS	19mm	75mm	800mm	640mm	65mm
B8080/640/19/SSS	9458085063101	B8080/640/19 OA 800 CTC 640 SSS	19mm	75mm	800mm	640mm	65mm
B8080/840/19/PSS	9458086083102	B8080/840/19 OA 1000 CTC 840 PSS	19mm	75mm	1000mm	840mm	65mm
B8080/840/19/SSS	9458086083101	B8080/840/19 OA 1000 CTC 840 SSS	19mm	75mm	1000mm	840mm	65mm
B8080/1340/19/PSS	9458087943102	B8080/1340/19 OA 1500 CTC 1340 PSS	19mm	75mm	1500mm	1340mm	65mm
B8080/1340/19/SSS	9458087943101	B8080/1340/19 OA 1500 CTC 1340 SSS	19mm	75mm	1500mm	1340mm	65mm
ACCESSORIES - EXTENDED FIXINGS - sold as a pair							
TM/M8/50	9459508058200	M8/50 FERULE HEAD BOLT TM FIX	<p>Note: When ordering extended fixings please use the below formula.</p> <p>Door thickness + 20mm for the Ferule + 10mm in to the other handle = round up to the nearest size offered.</p>				
TM/M8/75	9459758078200	M8/75 FERULE HEAD BOLT TM FIX					
TM/M8/90	9400000012887	M8/90 BOLT & 16MM FERULE TM FIX					
TM/M8/100	9400000012888	M8/100 BOLT & 16MM FERULE TM FIX					
TM/M8/110	9459118118200	M8/110 BOLT & 16MM FERULE TM FIX					
TM/M8/120	9459128128200	M8/120 BOLT & 16MM FERULE TM FIX					
TM/M8/130	9459138138200	M8/130 BOLT & 16MM FERULE TM FIX					
TM/M8/150	9459158158200	M8/150 BOLT & 16MM FERULE TM FIX					
ACCESSORIES - GLASS FIXINGS - sold as a pair							
GF25/M8/50 SQU	9459502588302	25 DIA SQU GLASS FIXING PAIRS					
CONCEALED FIXING							
C8080/240/19/PSS	9458082483202	C8080/240/19 OA 400 CTC 240 PSS	19mm	75mm	400mm	240mm	65mm
C8080/240/19/SSS	9458082483201	C8080/240/19 OA 400 CTC 240 SSS	19mm	75mm	400mm	240mm	65mm
C8080/440/19/PSS	9458083893202	C8080/440/19 OA 600 CTC 440 PSS	19mm	75mm	600mm	440mm	65mm
C8080/440/19/SSS	9458083893201	C8080/440/19 OA 600 CTC 440 SSS	19mm	75mm	600mm	440mm	65mm
C8080/640/19/PSS	9458085063202	C8080/640/19 OA 800 CTC 640 PSS	19mm	75mm	800mm	640mm	65mm
C8080/640/19/SSS	9458085063201	C8080/640/19 OA 800 CTC 640 SSS	19mm	75mm	800mm	640mm	65mm
C8080/840/19/PSS	9458086083202	C8080/840/19 OA 1000 CTC 840 PSS	19mm	75mm	1000mm	840mm	65mm
C8080/840/19/SSS	9458086083201	C8080/840/19 OA 1000 CTC 840 SSS	19mm	75mm	1000mm	840mm	65mm
C8080/1340/19/PSS	9458087943202	C8080/1340/19 OA 1500 CTC 1340 PSS	19mm	75mm	1500mm	1340mm	65mm
C8080/1340/19/SSS	9458087943201	C8080/1340/19 OA 1500 CTC 1340 SSS	19mm	75mm	1500mm	1340mm	65mm

Ordering details

Item	Article Number	Description	Square Tube	Width	Length	Fixing Centers	Projection
DISC FIXING							
D8080/240/19/PSS	9458082483302	D8080/240/19 OA 400 CTC 240 PSS	19mm	75mm	400mm	240mm	65mm
D8080/240/19/SSS	9458082483301	D8080/240/19 OA 400 CTC 240 SSS	19mm	75mm	400mm	240mm	65mm
D8080/440/19/PSS	9458083893302	D8080/440/19 OA 600 CTC 440 PSS	19mm	75mm	600mm	440mm	65mm
D8080/440/19/SSS	9458083893301	D8080/440/19 OA 600 CTC 440 SSS	19mm	75mm	600mm	440mm	65mm
D8080/640/19/PSS	9458085063302	D8080/640/19 OA 800 CTC 640 PSS	19mm	75mm	800mm	640mm	65mm
D8080/640/19/SSS	9458085063301	D8080/640/19 OA 800 CTC 640 SSS	19mm	75mm	800mm	640mm	65mm
D8080/840/19/PSS	9458086083302	D8080/840/19 OA 1000 CTC 840 PSS	19mm	75mm	1000mm	840mm	65mm
D8080/840/19/SSS	9458086083301	D8080/840/19 OA 1000 CTC 840 SSS	19mm	75mm	1000mm	840mm	65mm
D8080/1340/19/PSS	9458087943302	D8080/1340/19 OA 1500 CTC 1340 PSS	19mm	75mm	1500mm	1340mm	65mm
D8080/1340/19/SSS	9458087943301	D8080/1340/19 OA 1500 CTC 1340 SSS	19mm	75mm	1500mm	1340mm	65mm
ACCESSORIES - DISC FIXINGS - sold as a pair							
DF25/M8/75 SSS	9400000014108	25MM DISK FIX PAIR M8X75MM SSS					
DF25/M8/75 PSS	9459752588102	25MM DISK FIX PAIR M8X75MM PSS					
ACCESSORIES - GLASS FIXINGS - sold as a pair							
GDF25/M8/50 PSS	9459502588102	25MM GLASS DISK FIX PSS PAIR M8X50MM					
GDF25/M8/50 SSS	9459502588101	25MM GLASS DISK FIX SSS PAIR M8X50MM					