

# Interior Glass Systems

## MUTO E-Lock

### Concealed peace of mind.

MUTO E-Lock is designed to work with MUTO Premium XL Manual Sliding Door Systems.

The E-Lock is used to add security and privacy to interior spaces. Designed to interface with MUTO Premium XL ceiling mount installations, it is used to lock the sliding door panel closed under normal operation. The MUTO E-Lock interfaces with any access control system.

#### Features

- Quiet operation
- Low power consumption
- No residual magnetism
- Compact design fits inside MUTO track/jamb (fully concealed)
- Easy installation
- Use with MUTO XL150 DM/80 DM, XL 150, XL 120 SC (specify)

#### Applications

- Offices
- Closets
- Restrooms

#### Verticals

- Hospitality
- Retail and Commercial
- Entertainment



# MUTO E-Lock

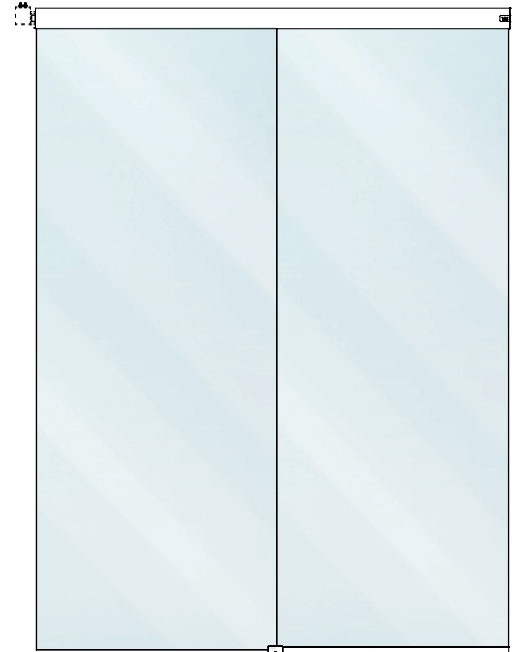
Offering maximum simplicity, MUTO E-Lock fits directly into the track and jamb, leaving it fully concealed after installation. The armature is attached to the leading edge (closing side) roller carrier and is fully concealed in the MUTO track. The armature requires a 1-1/16" (27) radius glass preparation. The magnet and circuit board are installed in the wall or jamb.

## Specifications

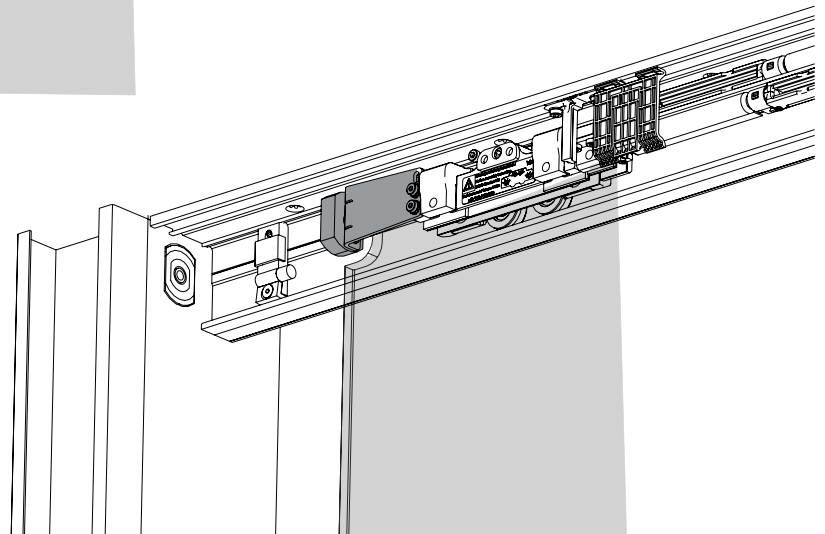
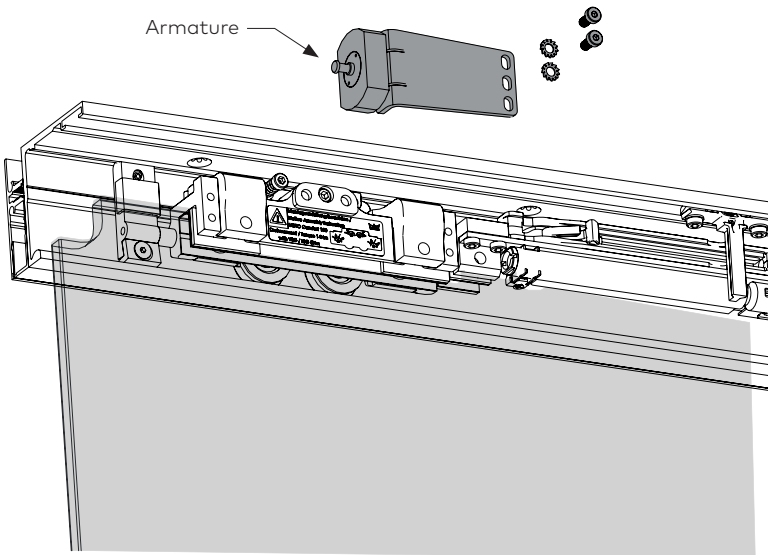
|                            |  |
|----------------------------|--|
| Housing dimension          | 1-3/4" (44) W x<br>1-3/16" (30) H x<br>21/32" (17) D |
| Armature dimension         | 1-3/4" (44) W x<br>1-3/16" (30) H x<br>1/2" (13) D   |
| Voltage                    | 12-24vdc   |
| Power/current requirements | 0.26 Amp @ 12vdc /<br>0.14 Amp @ 24vdc               |
| Operating mode             | Fail-Safe  |
| Holding force              | 880 lb   |
| Output relays              | Alarm Relay Output                                   |

## Components

- Magnet
- Armature
- Wiring harness
- Circuit board
- Armature bracket



## Installation



dormakaba USA Inc.  
Dorma Drive  
Drawer AC  
Reamstown, PA 17567  
800.523.8483  
www.dormakaba.us

dormakaba Canada Inc.  
1680 Courtney Park Dr.  
Unit 13  
Mississauga, ON L5T 1R4  
800.387.4938  
www.dormakaba.ca