



Floor-Concealed
Door Closers

DORMA BTS75V



Dependable and Versatile Floor-Concealed Closer

The BTS75V Series of floor-concealed door closers offer adaptability to almost any installation.

The closer's compact body permits its use where a larger closer would be prohibitive. Versatility allows installation in thin slab concrete subfloor construction. A wide selection of interchangeable spindles makes the BTS75V suitable for virtually any floor covering or threshold application. Adjustable spring power from size 1-4 allows the necessary adjustment required for both barrier-free and non-barrier-free openings, giving ultimate installation flexibility.

Trouble-free performance under adverse climatic and traffic conditions makes the BTS75V floor-concealed closer dependable and a perfect choice for even the most rigorous applications. For total control and uncompromising creativity for any door opening, specify a BTS75V floor-concealed closer.

Features	BTS75V	BTS75V BF
Adjustable spring sizes	1-4	1-4
Non-handed unit suitable for both single- and double-acting doors	•	•
Controlled closing with two independent valves	175°-15° 15°-0°	175°-70° 70°-0°
Mechanical backcheck	•	-
Delayed action	-	•
Single point hold open available at 90°	○	○
Single point hold open available at 105°	○	-

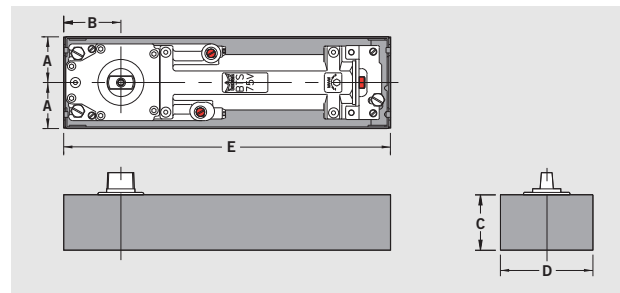
• yes - no ○ option

Door Size Chart

	Door Width
Interior	2'-0" (610 mm) to 3'-6" (1067 mm)
Exterior	2'-0" (610 mm) to 3'-0" (914 mm)

Maximum door widths shown are for average conditions. If there are unusual site conditions, e.g. high or exceptionally heavy doors or wind pressure, the door width should be reduced.

NOTE: Although DORMA BTS75V and BTS75V BF Series closers have adjustable spring power to compensate for site conditions, it can not be guaranteed that adequate control will be obtained while complying with interior or exterior barrier-free opening force restrictions.



	A	B	C	D	E
Inches	1-7/16-1-13/16	2-2-1/4	2	3-1/4	11-1/4
Millimeters	36-46	51-57	51	82	285

Certification:

The DORMA BTS75V and BTS75V BF non-hold open versions are listed by UL and CUL under their continuing reinspection programs. The DORMA BTS75V Series is certified to the requirements of ANSI/BHMA A156.4 for grade 1 closers. The BTS75V BF meets the opening force requirements of ANSI/BHMA A117.1 for barrier-free interior and exterior doors.

Specifications:

All floor-concealed door closers shall be DORMA BTS75V Series employing a cam and roller mechanism. The closers shall be capable of controlling doors weighing up to 260 pounds and measuring up to 3'-6" for interior doors and 3'-0" wide for exterior doors. The closers will have mechanical backcheck at approximately 70°. Dual valve adjustment will provide controlled closing speed from 175°-15° (sweep range) and 15°-0° (latch range), even in cold temperature conditions. The closer mechanism will provide adjustment within the cement case to allow 3/8" lateral, 1/4" longitudinal, and 5/32" vertical height adjustment. Field interchangeable spindles will be available to provide bottom door clearances ranging from 5/16" to 2-5/16".

Optional Specifications:

Floor-concealed door closers for all interior and exterior barrier-free openings shall be DORMA BTS75V BF. The closers shall be capable of maintaining a maximum opening force of 5 pounds through 90° of door swing on barrier free interior doors and 8.5 pounds on exterior barrier-free doors 3'-0" wide. The closers will have selectable delayed action standard without backcheck. The closers should be used with sealing compound SC-1 to prevent water or cleaning solvent from entering the cement case.

REDUCED OPENING FORCE INSTALLATIONS CAUTION:

Manual door closers, including closers certified to conform to ANSI/BHMA Standard A156.4, when installed and adjusted to conform to ADA or other reduced opening force requirements, may not provide sufficient power to reliably close and latch a door.

Refer to catalog for information on ED800 Low Energy Operator to meet reduced opening force requirements without affecting closing power.

Finishes:

Optional Plated Finishes:

Brass: 605 (Bright) or 606 (Satin).
Bronze: 611 (Bright), 612 (Satin), or 613 (Oxidized Satin Oil Rubbed).
Nickel: 618 (Bright) or 619 (Satin).
Chrome: 625 (Bright) or 626 (Satin).

Standard Sprayed Finishes:

Aluminum: 689.
Bronze: 691 (Dull), 690 (Statuary), or 695 (Dark Duranodic).
Gold: 696.
Black: 693.

Optional DORMA Custom Color or Designer Color Finishes:

Contact Customer Service.

Warranty: For details, refer to **Limited Warranty Policy** in the

current DORMA Price List.

How to Order BTS75V Series		Example
Closer	BTS75V BTS75V BF (barrier-free) (see BTS Applications and Accessories brochure for specific handling of accessories and packages)	BTS75V BTS75V BF
Package	Center-pivoted double-acting aluminum door and frame	BTS75V/A
Body Option	Non-hold open 90° hold open 105° hold open	BTS75V - NHO BTS75V - 90° HO BTS75V - 105° HO
Accessories	Specify the number of the accessory (see BTS Applications and Accessories brochure)	SC-1
Spindle	74010 or 80010 are furnished standard unless otherwise specified (see Spindles on page 6)	BTS75V/A x 74025
Finish	Bright Brass	BTS75V/A (605)

BTS75V

Technical Details:

- Adjustable spring size 1–4.
- Can be installed and adjusted to meet 8.5 lb maximum opening force requirements for exterior doors.
- Compact closer body and cement case 2" deep suited for thin slab concrete construction.
- Closer body is non-handed.
- Accommodates doors weighing up to 260 lb and measuring up to 3'-6" wide interior and 3'-0" exterior.
- Mechanical backcheck at approximately 70°.
- Dual thermostatic control valves combined with special hydraulic fluid provide controlled closing from 175°.
- Optional single point hold open units available for 90° or 105°.
- A secondary regulation system protects closer from damage caused by forced closing.
- Closer adjustment in cement case provides 3/8" lateral, 1/4" longitudinal, and 5/32" height adjustment.
- Optional sealing compound SC-1 prevents water or cleaning solvent from entering the cement case.
- Optional accessory bracket available to convert a BTS75 cement case to accept a BTS75V.

BTS75V NHO BTS75V BF NHO



- Non-hold open unit is U.L. listed for use with fire rated doors when door swing is limited to 175° with an auxiliary stop.

BTS75V BF



Technical Details:

- Opening force 5 lb or less on interior doors/8.5 lb or less on exterior doors where door without closer attached is 1 lb opening force or less.
- Mechanical backcheck eliminated to meet the barrier-free opening force requirement through 90° of opening.
- Selectable delayed action between 175° and 70°.
- All other details are the same as the BTS75V.

NOTE: If door hardware or adjacent structures interfere with maximum opening, an auxiliary stop is required.

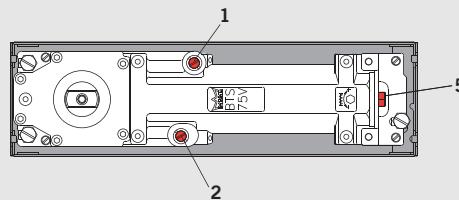
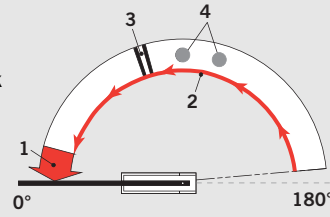
1 Valve adjustment 15°–0°.

2 Valve adjustment 175°–15°.

3 Mechanical backcheck at approximately 70°.

4 Single point hold open units available at 90° or 105°.

5 Spring power adjustment.

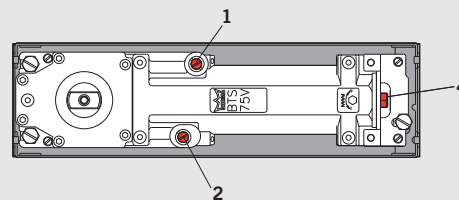
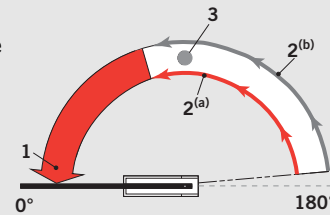


1 Valve adjustment 70°–0°.

2 Valve adjustment
(a) 175°–70°. Selectable delayed action from
(b) 175° to 75°.

3 Single point hold open units available at 90°.

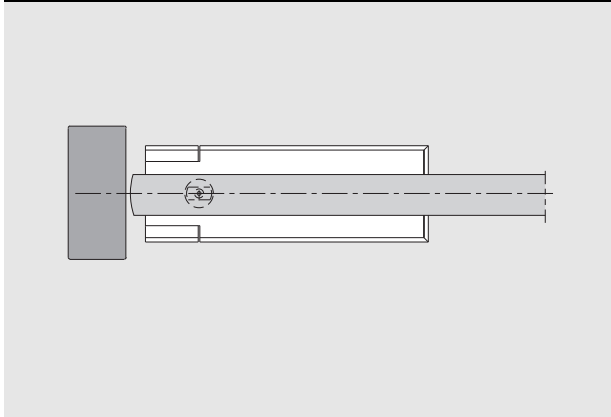
4 Spring power adjustment.



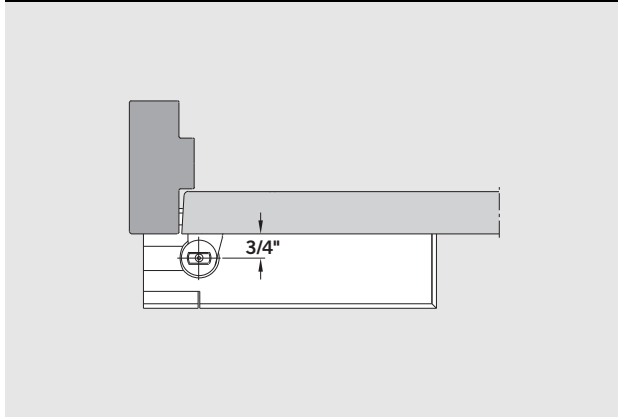
Applications

Accessory packages for the following applications are designated with an alpha suffix, i.e. "A," "B." For application details and accessory illustrations, see **BTS Applications and Accessories** brochure.

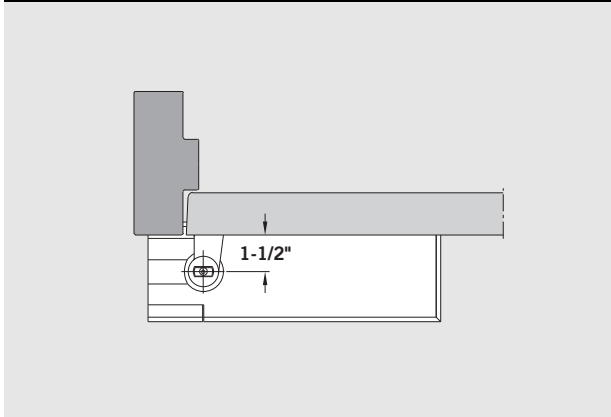
Center Hung Packages (A,B,G,H)



3/4" Offset Packages (D,E,F)

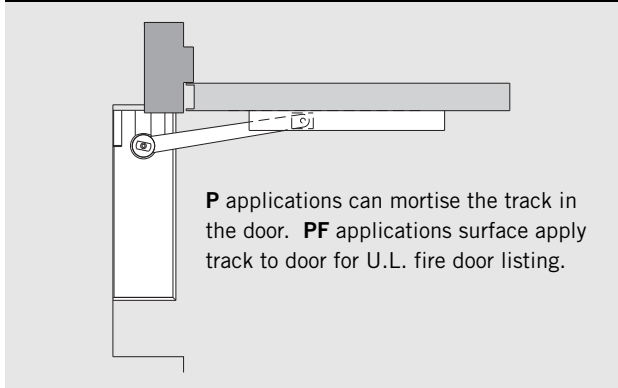


1-1/2" Offset Packages (C, C-E, C-F)

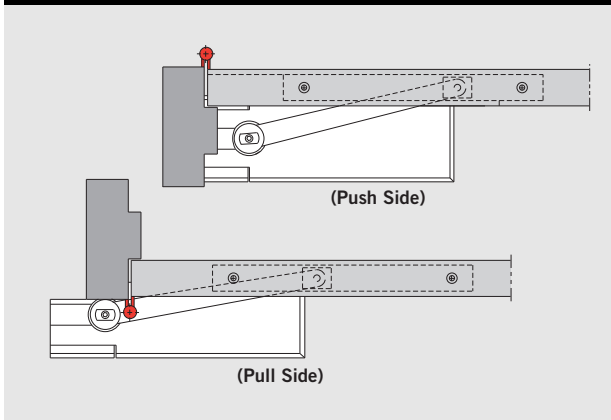


Pocket Door Packages (P)

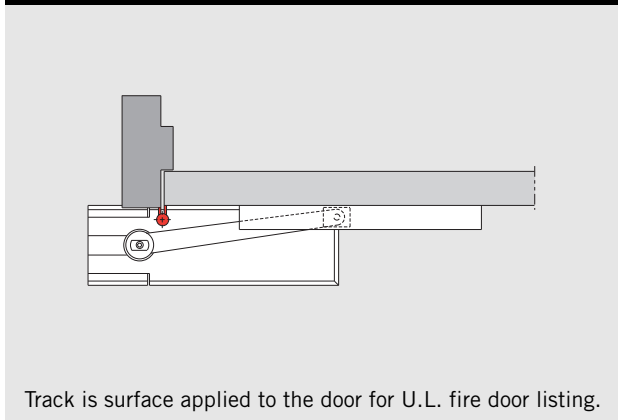
Pocket Fire Door Packages (PF)



Independent Hung Packages (I)



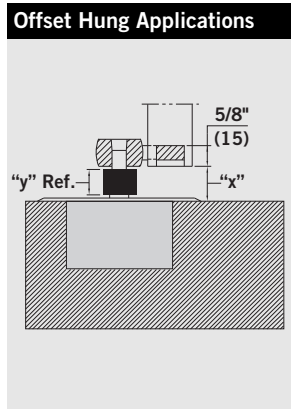
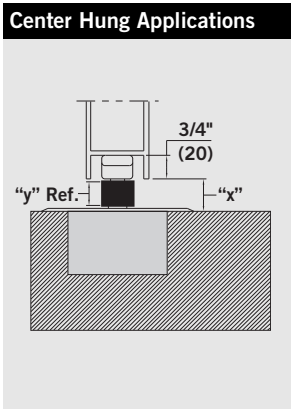
Independent Hung Fire Door Packages (IF)



Spindles			
Spindle No.	Dimension "x" (Door Clearance)	3° Pre-load Spindle No.	Dimension "y"
74003	5/16"	80003	1/8"
74005	1/2"	80005	5/16"
74007	5/8"	-	7/16"
(STD)74010	3/4"	80010	1/2"
74012	13/16"	-	5/8"
74015	7/8"	80015	11/16"
74020	1-1/8"	80020	7/8"
74025	1-5/16"	80025	1"
74030	1-1/2"	80030	1-5/16"
74035	1-11/16"	-	1-1/2"
74040	1-7/8"	-	1-11/16"
74045	2-1/16"	-	1-7/8"
74050	2-5/16"	-	2-1/16"

Pre-load Spindles

Spindles are available with a 3° pre-load for additional pressure to hold door in the closed position. Normally, this is only necessary for center-pivoted single acting applications. However, they can also be used with other applications to compensate for templating errors. Specify hand of pre-load spindle when ordering.



Extended Spindle Insert

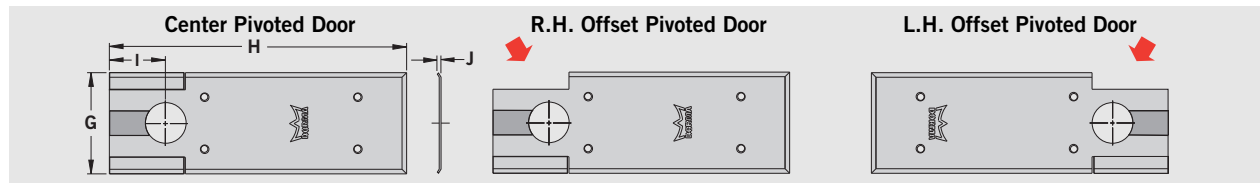
NOTE: Closer and arm must be installed per template for door clearances shown to be valid.

Closers with extended spindle inserts are used with thresholds, carpeted floors, or terrazzo pans or in cases where more clearance between door and floor is required. All spindles are zinc plated.

Cover Plate

Universal cover plate **7510**, suitable for left hand/right hand, 3/4" offset, 1-1/2" offset and center pivoted doors. Material is stainless steel or brass depending on the plated finish specified.

	G	H	I	J
Inches	4-1/8	12-1/8	2-9/32	3/32
Millimeters	105	308	58	2



DORMA Americas
www.dorma-usa.com

DORMA Architectural Hardware
DORMA Glas
DORMA Drive, Drawer AC
Reamstown, PA 17567-0411
Telephone: (800) 523-8483
Facsimile: (800) 274-9724
E-mail: archdw@dorma-usa.com
or glas@dorma-usa.com

DORMA Canada
1680 Courtney Park Drive, Unit 13
Mississauga, Ontario L5T 1R4
Telephone: (800) 387-4938
Facsimile: (905) 670-5850
E-mail: sales@dormacanada.com

DORMA Mexico, S. de R.L. de C.V.
Astrónomos 28, Col. Escandón
México, D.F. 11800
Del. Miguel Hidalgo
Telephone: (52+55) 5272-6937
Facsimile: (52+55) 5272-6948
E-mail: operacion@dorma.com.mx