

GP1100

Glass panic device - down latching dummy glass mount
(use with exterior pull types: A, B, C, F, G, H, K, KS, L, LS, X, Z)

Installation instructions

974010 - 10-2020

| EN |

dormakaba 

Table of contents

1	Technical specifications	3
1.1	Overview	3
	1.1.1 General information	3
	1.1.2 Intended use	3
	1.1.3 Glass requirements/fittings/mounting	3
	1.1.4 Requirements for glass panel	3
	1.1.5 Safety instructions	3
	1.1.6 Symbols used - Safety/Installation	3
	1.1.7 Maintenance, care, repair	3
	1.1.8 Disposal	3
	1.1.9 Adhesive specifications	4
	1.1.10 Required dimension	4
2	Installation instructions - glass mount	4
2.1	Overall	4
2.2	Mount exterior pull components - disassemble actuator parts	5
2.3	Mount exterior pull components - top standoff	6
2.4	Mount exterior pull components - bottom standoff	7
2.5	Mount exterior pull components - return tube (D-pull; back-to-back)	8
2.6	Mount interior pull components - dummy actuator/int. pull	9
2.7	Mount interior pull components - bottom standoff	10
2.8	Mount interior pull components - return tube (single-sided)	11
2.9	Mount interior pull components - return tube (back-to-back)	12
3	Adjustments	13
3.1	Clearances	13
3.2	Final adjustments (tube height or length)	14
3.3	Loctite part list	14

1 Technical specifications

1.1 Overview

These instructions are for installation of GP1100 Dummy Glass Panic Device for the following mounting and style versions:

1. Down latching glass mount

1.1.1 General information

- dormakaba requires use of tempered monolithic glass.
- dormakaba glass hardware is not suitable for harsh environment; for example, applications where chemicals (e.g. chlorine) are used such as indoor swimming pools, saunas, or salt-water pools.
- Do not swing doors with excessive force. Ensure proper installation of limiting stop to prevent door from opening too far.

1.1.2 Intended use

- For swinging doors in dry indoor and covered areas only.
- For manual slow opening and closing only.

1.1.3 Glass requirements/fittings/mounting

- The substructure/wall must be able to bear permanent loads, be level (max. tolerance: 1/16" [2] per 39" [1m]).
- Fasteners must be sufficiently dimensioned for the substructure/wall and weight of the door.
- When adjusting glass elements, always stick to the required clearance for the respective hardware. Adjust clearance so glass does not come in contact with any hard surfaces such as glass, metal or concrete.
- Do not use excessive force when installing the glass (avoid over tightening screws.)

1.1.4 Requirements for glass panel

- Heat-soaked thermally tempered monolithic glass
- Clamping area must be flat and uncoated (no self-cleaning coating!)
- Never use glass with conchoidal fractures and/or damaged edges.

1.1.5 Safety instructions

- Installation requires two people.
- Only properly qualified and specially trained staff are authorized to mount dormakaba glass hardware.
- Due to crushing hazards and possible injury caused by breakage of glass during mounting, corresponding protective clothing (especially gloves and protective goggles) is required.
- Never clamp metal fitting hardware directly to glass surface.

1.1.6 Symbols used - Safety/Installation



CAUTION

Mounting components must meet the requirements of substructure/wall and door weight. Please read the technical information for fittings.



WARNING

Risk of breaking glass. When installing the door, support the door panel with a block of wood or similar object.



TIPS AND RECOMMENDATIONS

Information note

1.1.7 Maintenance, care, repair

- Immediately replace damaged parts.
- Always use original dormakaba parts.
- Clean clamping area with alcohol-based standard commercial cleaning agent before mounting the glass hardware.
- Use a damp cloth for occasional cleaning.
- Always use silicone - and oil-free cleaners (e.g. acetone).
- Check glass hardware at regular intervals for proper positioning, smooth operation and correct adjustment.
- High traffic door systems require inspection by properly qualified staff (specialized companies or installation firms.)
- Function of fittings is recommended to be inspected annually or every 100,000 movements by a specialist.

1.1.8 Disposal

- Disposal in accordance with local, state and national regulations.

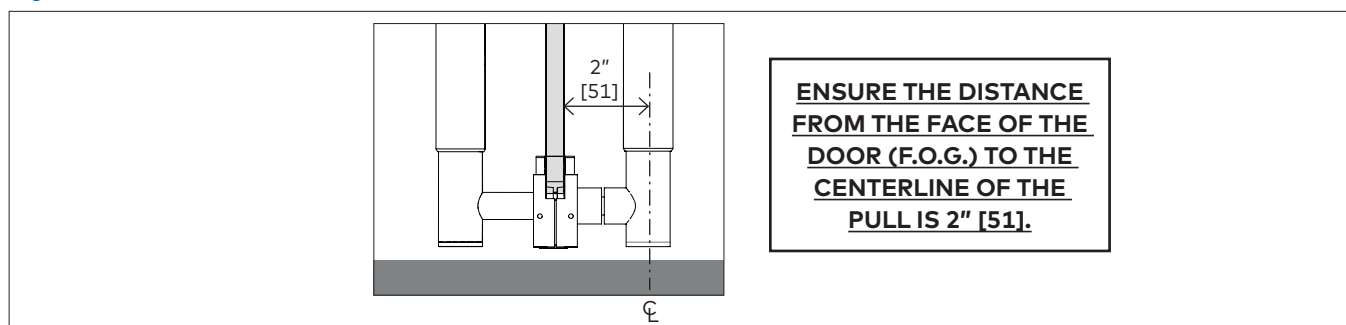
1.1.9 Adhesive specifications

Table 1

Adhesive required for GP1100 (not included)		
Loctite® Threadlocker Blue 242®	Handling description	Time
	Set time (<i>time between application and tightening of screw</i>)	10 minutes on active metals (steel) Longer for less active metals.
	Full cure time (<i>normal product usage not recommended until full cure time has been met</i>)	24 hours* *Cure time dependent upon temperature and type of metal being bonded.

1.1.10 Required dimension

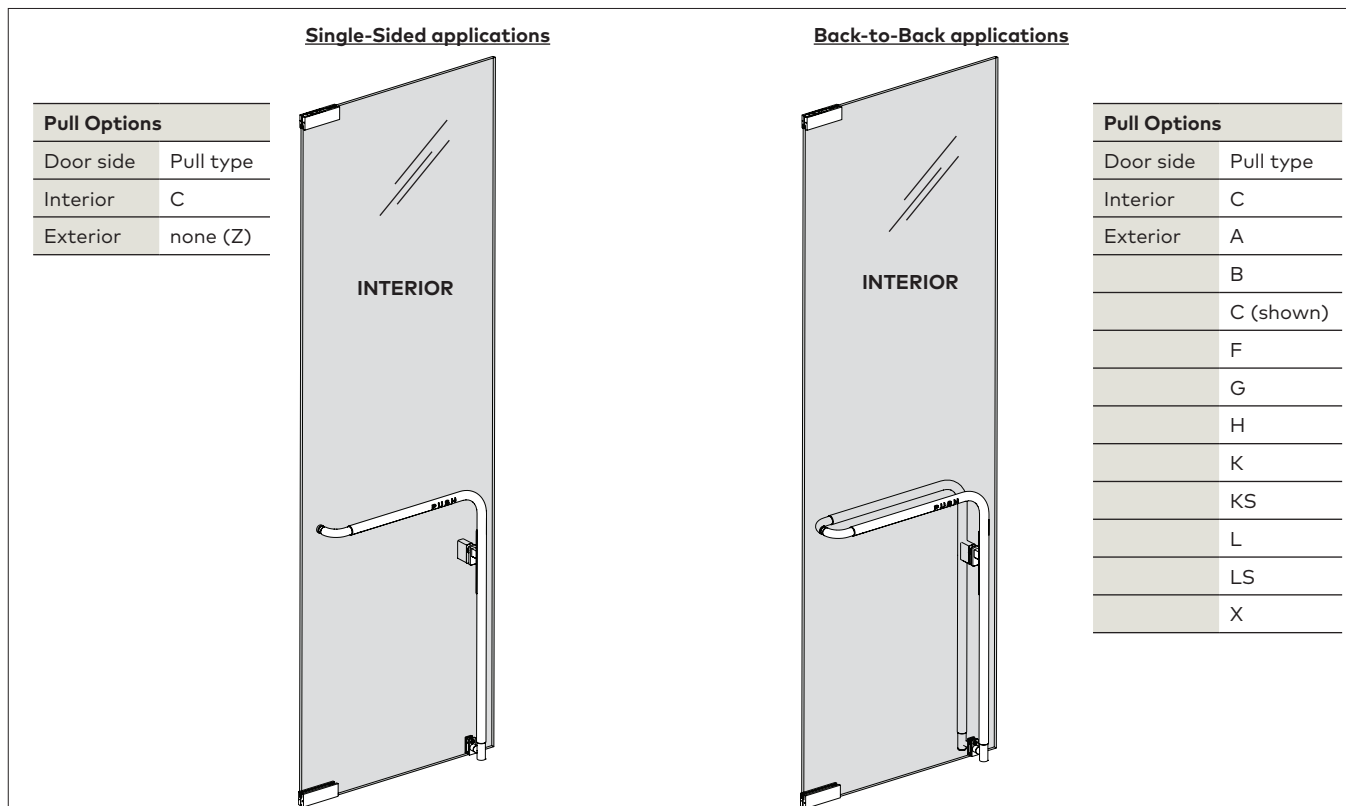
Fig 1



2 Installation instructions - glass mount

2.1 Overall

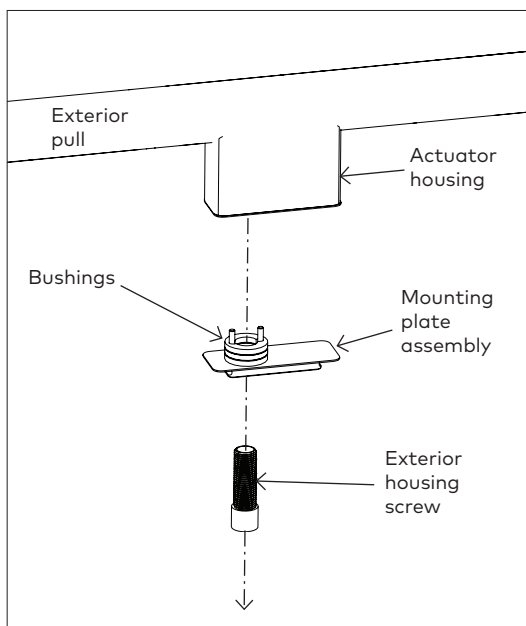
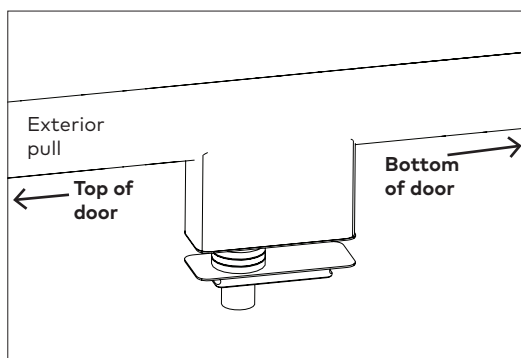
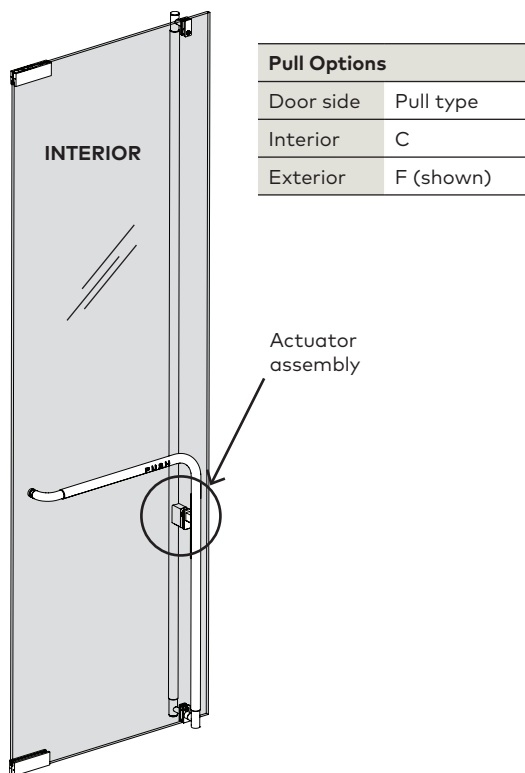
Fig 2



2.2 Mount exterior pull components - disassemble actuator parts

Fig 3

NOTE: PANIC DEVICE SHOULD BE MOUNTED TO DOOR IN A HORIZONTAL POSITION. LAY GLASS PANEL FLAT ON SAW HORSES AND MOUNT THE FOLLOWING EXTERIOR PULL COMPONENTS FIRST. EXTERIOR SIDE SHOULD FACE UP.

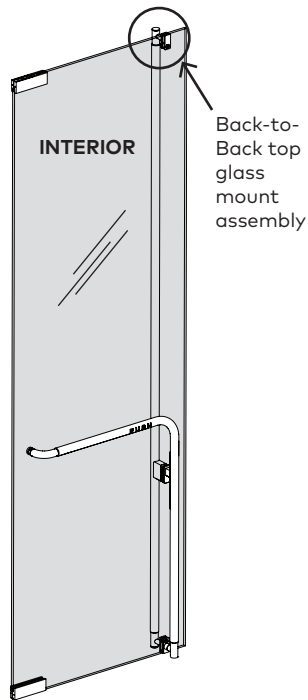


NOTE: Product shipped with exterior housing screw and mounting plate assembly secured together.

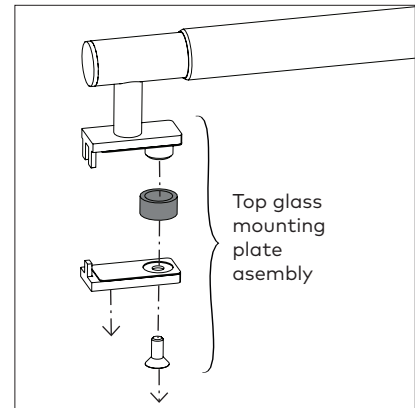
- 2.2.1 Disassemble exterior housing screw and mounting plate assembly from actuator housing.
- 2.2.2 Keep bushing for installing later. Amount is determined based off of glass thickness.

2.3 Mount exterior pull components - top standoff

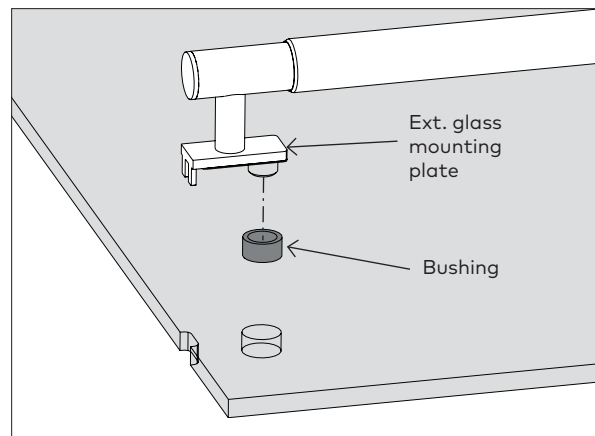
Fig 4



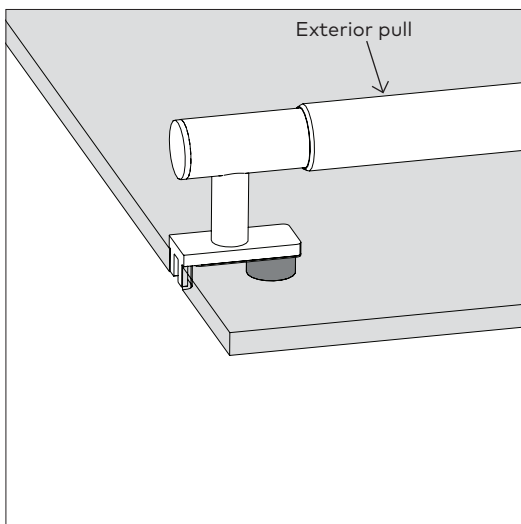
Pull Options	
Door side	Pull type
Interior	C
Exterior	F (shown)



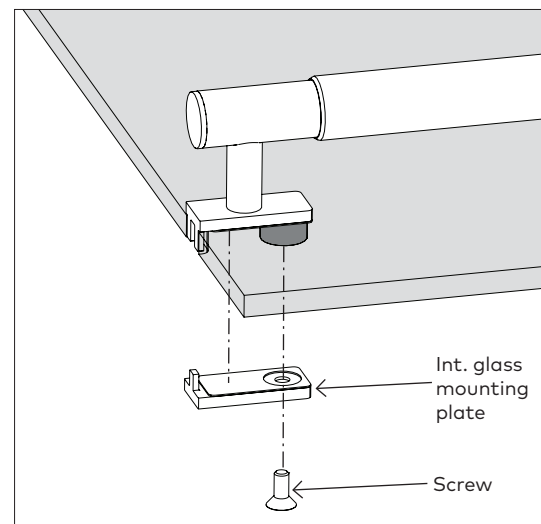
2.3.1 Disassemble top glass mounting plate assembly.



2.3.2 Place bushing onto exterior glass mounting plate.



2.3.3 Place exterior pull against glass.

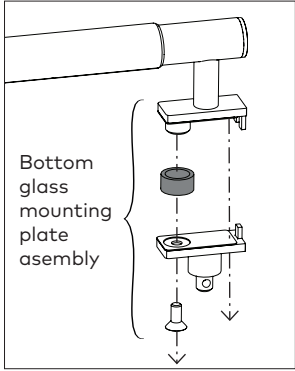


2.3.4 Secure interior glass mounting plate assembly (through glass) to exterior pull with included 5/16-18 x 3/4" screw.

2.4 Mount exterior pull components - bottom standoff

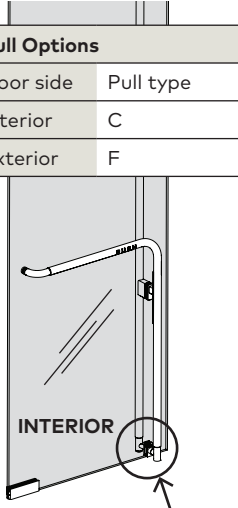
Fig 5

Back-to-back application



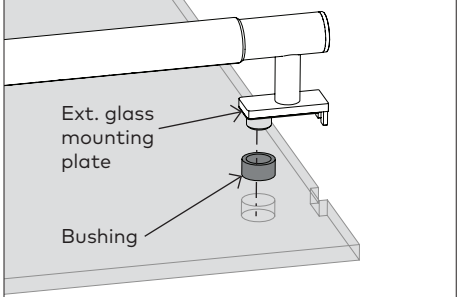
Bottom glass mounting plate assembly

Pull Options	
Door side	Pull type
Interior	C
Exterior	F

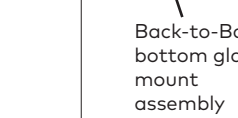


Back-to-Back bottom glass mount assembly

2.4.1 Disassemble bottom glass mounting plate assembly.

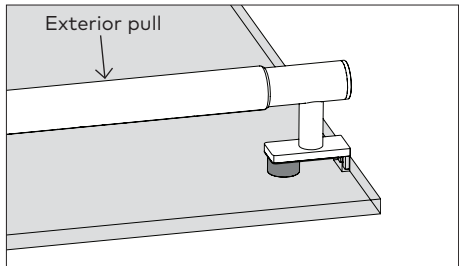


Ext. glass mounting plate
Bushing

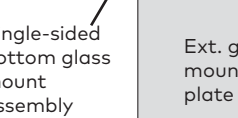


Back-to-Back bottom glass mount assembly

2.4.2 Place bushing onto exterior glass mounting plate.

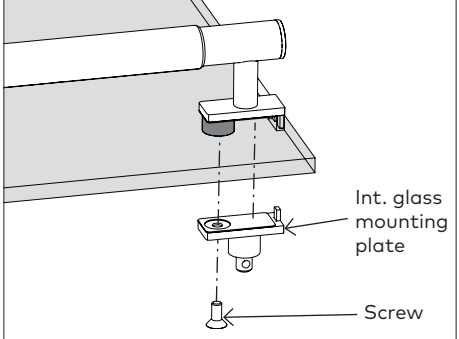


Exterior pull

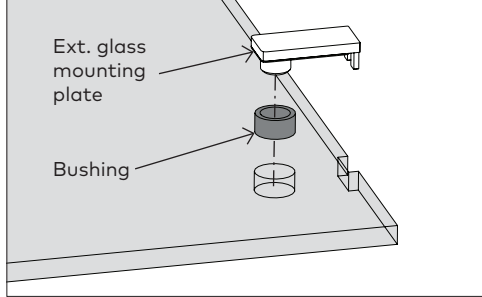


Single-sided bottom glass mount assembly

2.4.3 Place exterior pull and mounting plate against glass.

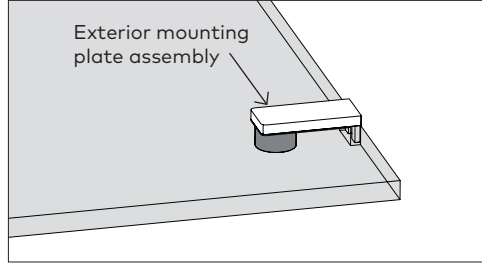


Int. glass mounting plate
Screw




Ext. glass mounting plate
Bushing

2.4.2 Place bushing onto exterior glass mounting plate.

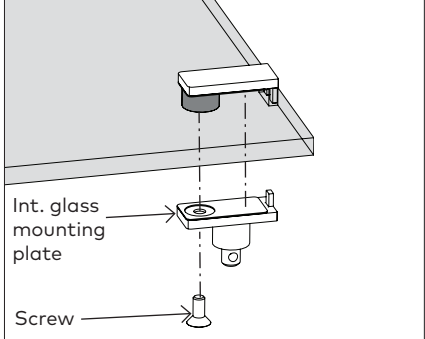


Exterior mounting plate assembly

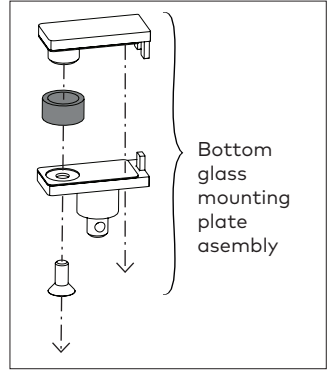


Single-sided bottom glass mount assembly

2.4.3 Place exterior glass mounting plate against glass.

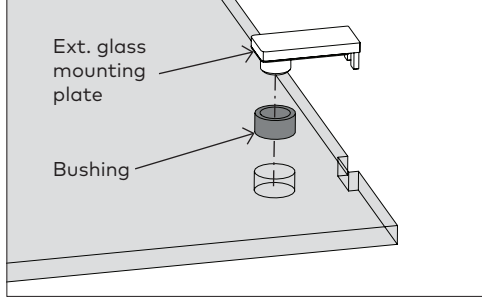


Int. glass mounting plate
Screw

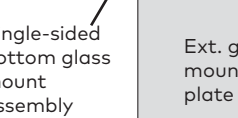


Bottom glass mounting plate assembly

2.4.1 Disassemble bottom glass mounting plate assembly.

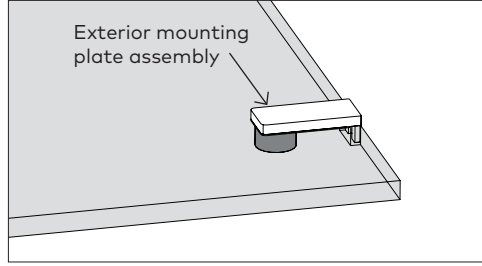


Ext. glass mounting plate
Bushing




Single-sided bottom glass mount assembly

2.4.2 Place bushing onto exterior glass mounting plate.

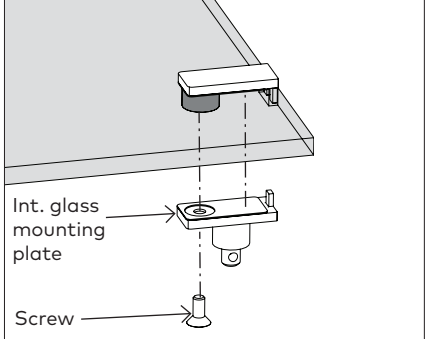


Exterior mounting plate assembly

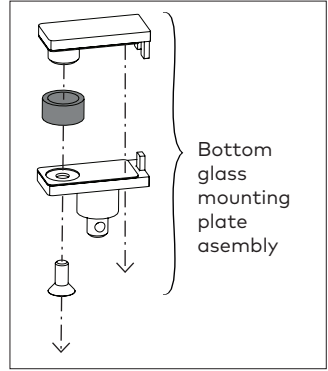


Single-sided bottom glass mount assembly

2.4.3 Place exterior glass mounting plate against glass.



Int. glass mounting plate
Screw



Bottom glass mounting plate assembly

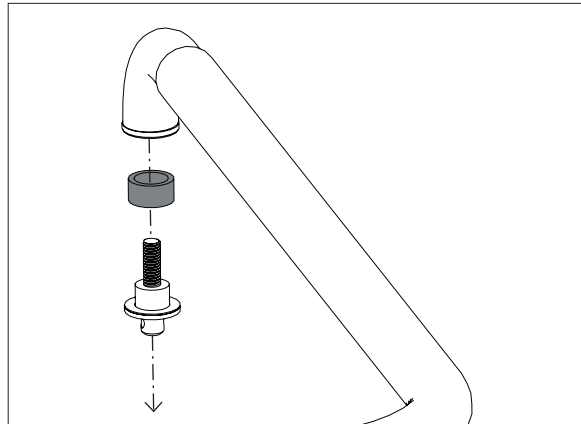
2.4.1 Disassemble bottom glass mounting plate assembly.

2.5 Mount exterior pull components - return tube (back-to-back)

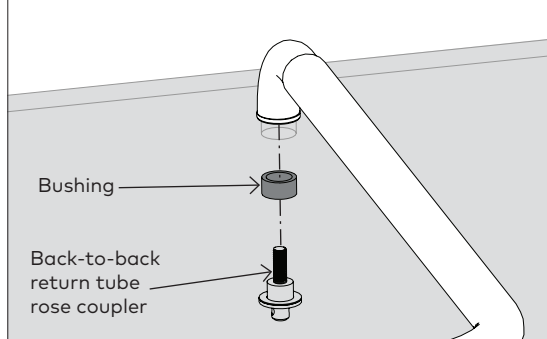
Fig 6



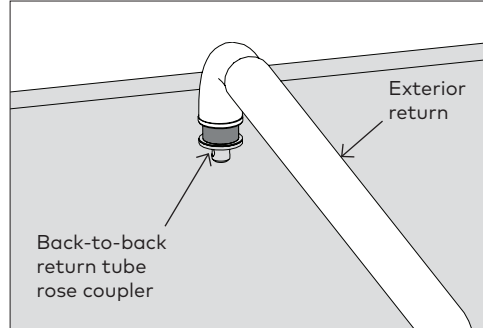
Pull Options	
Door side	Pull type
Interior	C
Exterior	C (shown)



2.5.1 Disassemble return tube components.



2.5.2 Place bushing onto the back-to-back return tube rose coupler.

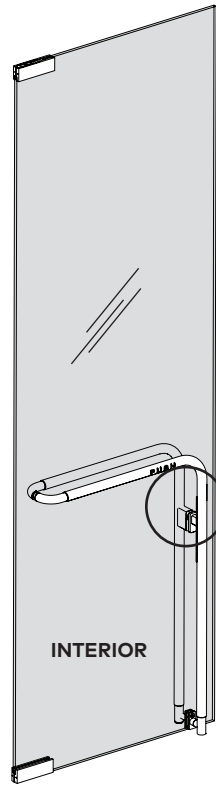


2.5.3 Thread coupler into exterior return.
NOTE: Ensure hole in coupler aligns with hole in interior return.

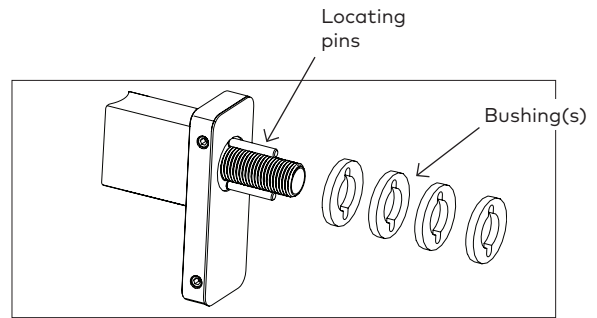
2.6 Mount interior pull components - dummy actuator/int. pull

Fig 7

NOTE: FLIP DOOR OVER AND LAY FLAT ON SAW HORSES TO MOUNT THE INTERIOR SIDE COMPONENTS. INTERIOR SIDE SHOULD NOW FACE UP.



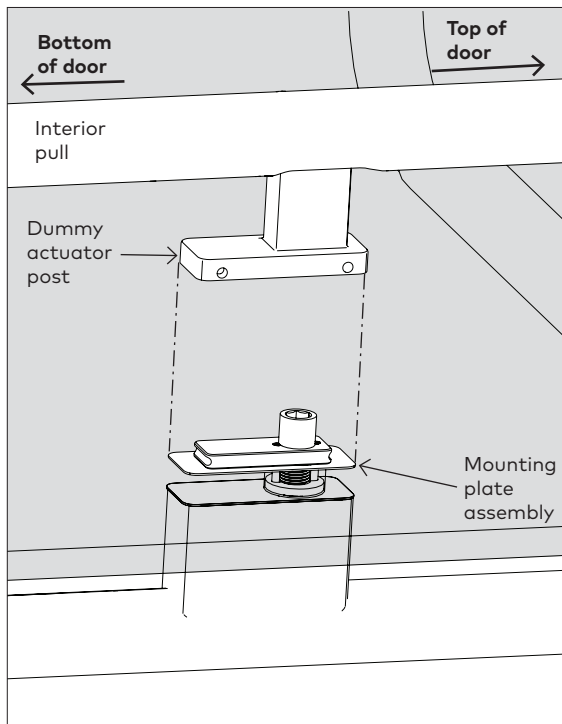
Pull Options	
Door side	Pull type
Interior	C
Exterior	C (shown)



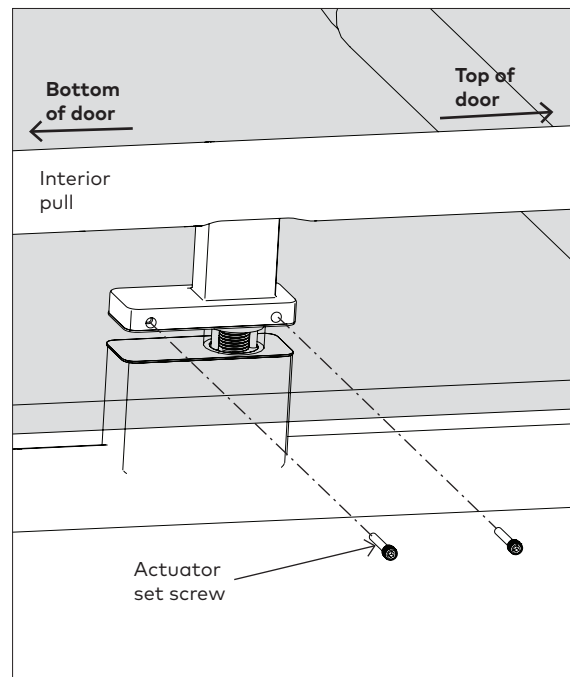
2.6.1 Slide the actuator bushing(s) onto the mounting plate locating pins.

NOTE: Depending upon glass thickness, add appropriate quantity of bushings.

Glass width	No. of bushings
3/8" - 7/16"	3
1/2" - 9/16"	4
5/8" - 11/16"	5
3/4" - 13/16"	6



2.6.2 Fit dummy actuator post over top of the mounting plate.

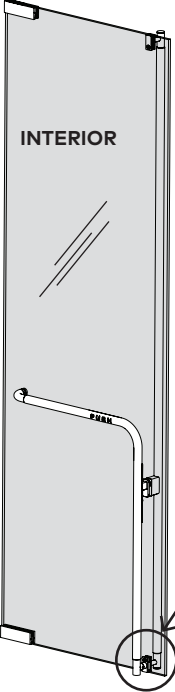


2.6.3 Secure the dummy actuator post to the mounting plate assembly with the two provided set screws.

2.7 Mount interior pull components - bottom standoff

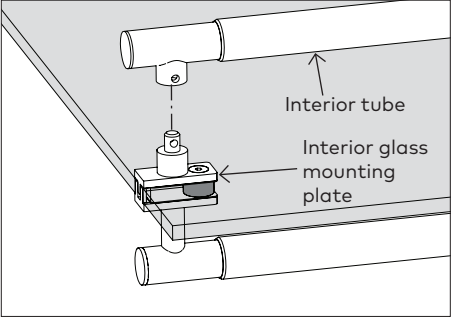
Fig 8

Back-to-back mount

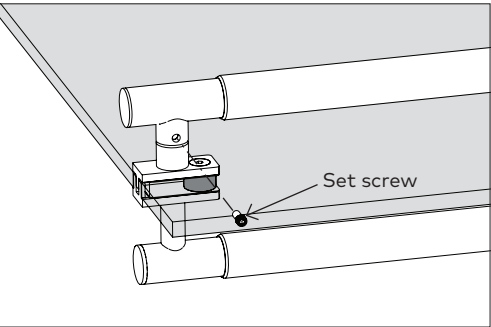


Pull Options	
Door side	Pull type
Interior	C
Exterior	F (shown)

Back-to-Back
bottom glass
mount assembly

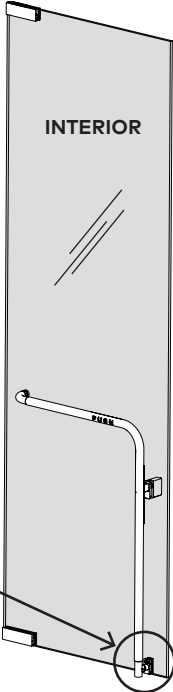


2.7.1 Slide interior tube onto interior glass mounting plate.



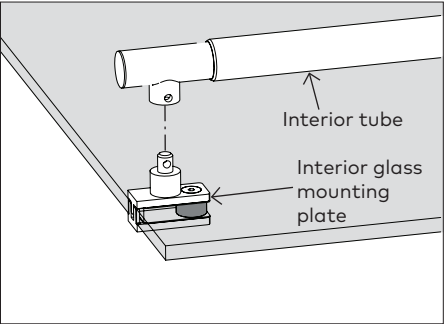
2.7.2 Secure interior tube to interior glass mounting plate via set screw.

Single-sided mount

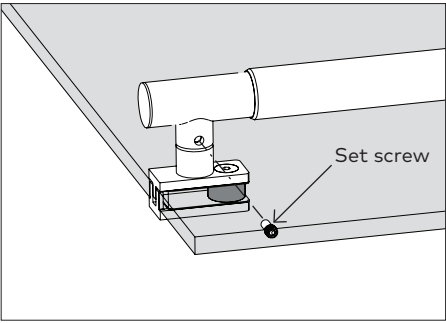


Pull Options	
Door side	Pull type
Interior	C
Exterior	Z (none)

Single-sided
bottom glass
mount assembly



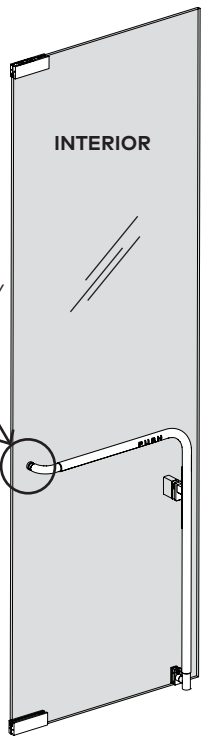
2.7.1 Slide interior tube onto interior glass mounting plate.



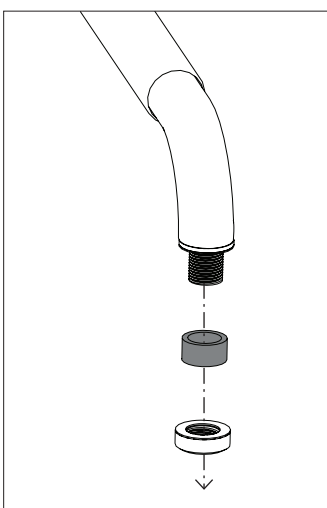
2.7.2 Secure interior tube to interior glass mounting plate via set screw.

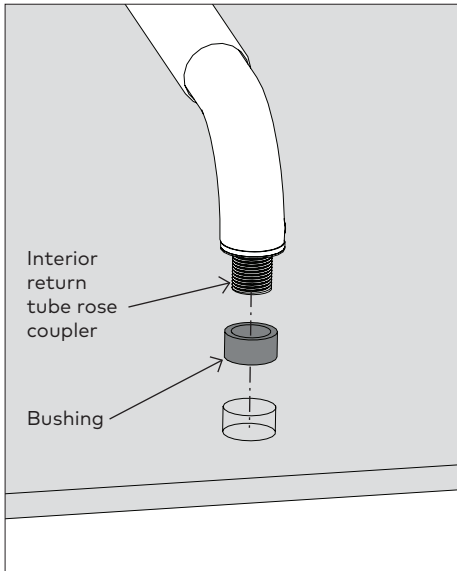
2.8 Mount interior pull components - return tube (single-sided)

Fig 9

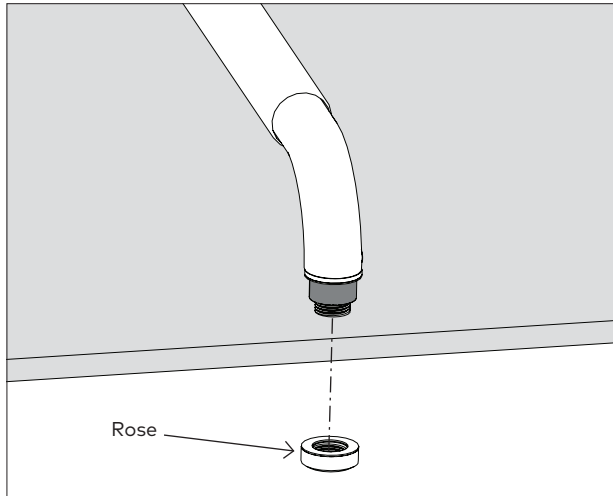


Pull Options	
Door side	Pull type
Interior	C
Exterior	none (Z) (shown)





2.8.2 Insert bushing onto interior return tube rose coupler.



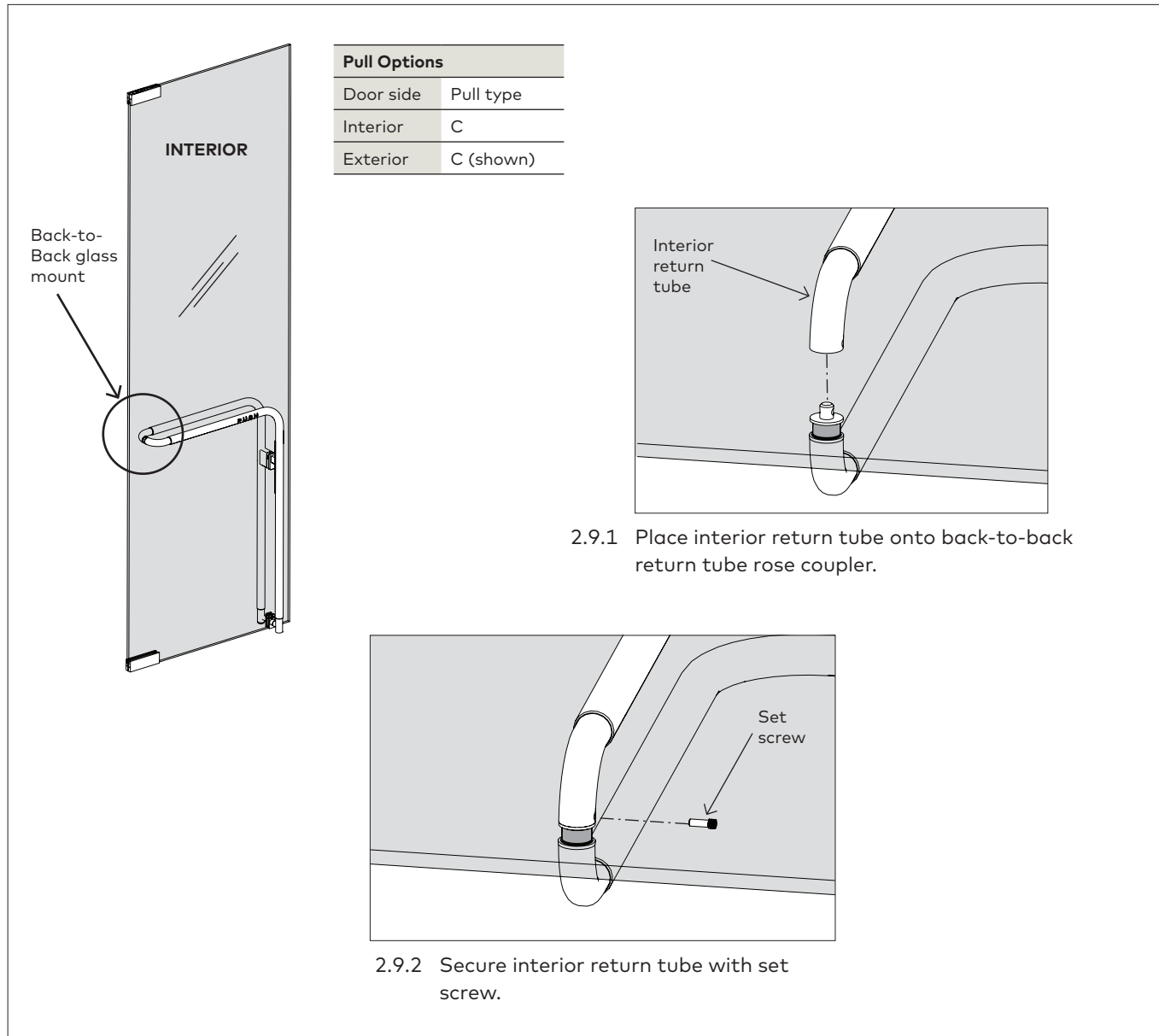
2.8.3 Insert interior return tube into hole in glass.

2.8.4 Thread rose onto interior return tube rose coupler.

NOTE: ADD LOCTITE® THREADLOCKER BLUE 242® DIRECTLY AFTER INSTALLATION OF THIS PART.

2.9 Mount interior pull components - return tube (back-to-back)

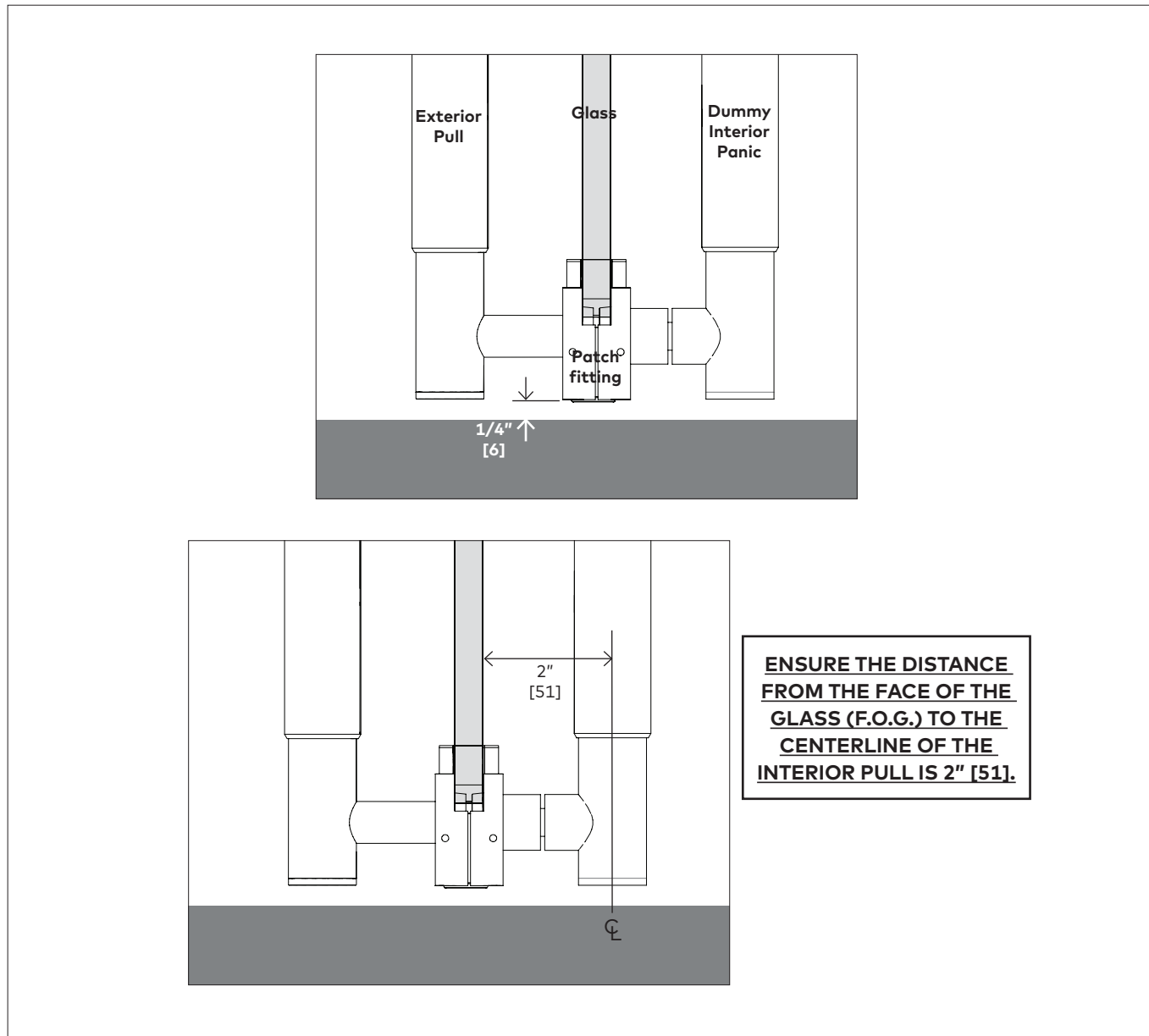
Fig 10



3 Adjustments

3.1 Clearances

Fig 11

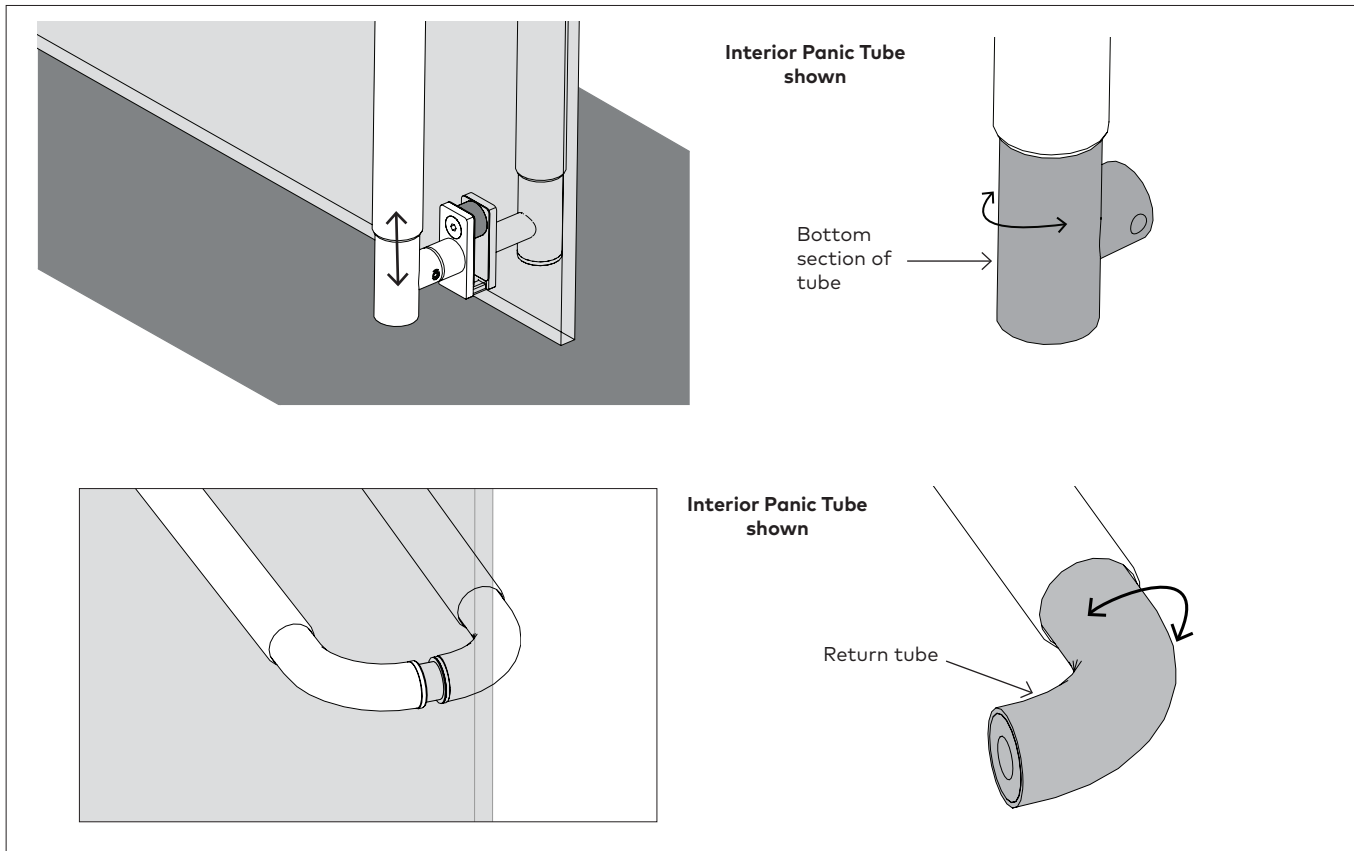


3.1.1 Once the door is properly installed, ensure dummy interior panic/pull matches height of working interior panic/pull.

3.1.2 See step 3.2 for tube height or length adjustment.

3.2 Final adjustments (tube height or length)

Fig 12



3.2.1 Ensure interior and exterior tubes are at the proper height and length.

3.2.2 To adjust height up or down:

- Twist top/bottom sections of tube clockwise or counter clockwise until desired height is met.

3.2.3 To adjust length of tube:

- Twist return clockwise or counter clockwise until desired length is met.

3.3 Loctite part list

Fig 13

GP11 part	Referenced step
Actuator set screws *	Step 2.6.3
Interior glass mounting plate set screw *	Step 2.7.2
Interior return tube rose	Step 2.8.4
Interior return tube set screw *	Step 2.9.2
* To be completed after final adjustments (step 3.2)	

