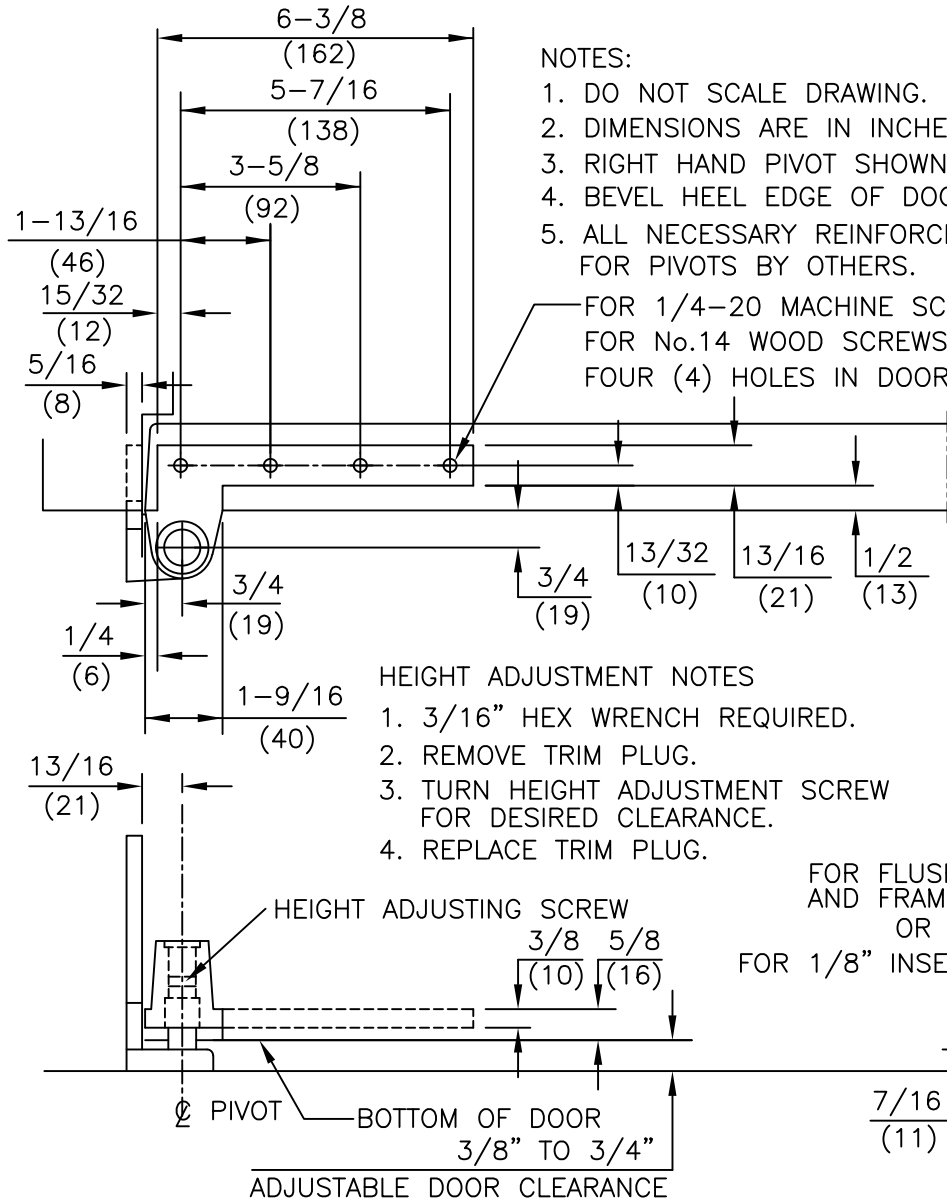


ITEM No. [75120, 75122, 75133 (DOOR FLUSH WITH FRAME) NON-HANDED]  
 [75120 5/8, 75122 5/8, 75133 5/8 (DOOR INSET 1/8" FROM FRAME) HANDED]  
 3/4" OFFSET FULL MORTISE TOP PIVOT

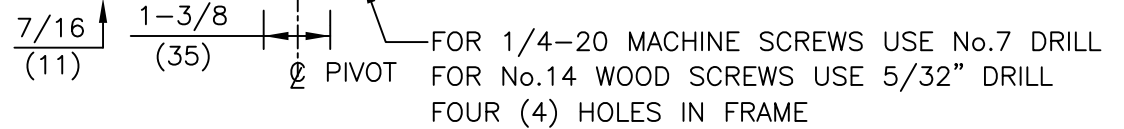


NOTES:

1. DO NOT SCALE DRAWING.
2. DIMENSIONS ARE IN INCHES/(MM).
3. RIGHT HAND PIVOT SHOWN.
4. BEVEL HEEL EDGE OF DOOR 1/8" IN 2".
5. ALL NECESSARY REINFORCEMENT FOR PIVOTS BY OTHERS.

FOR 1/4-20 MACHINE SCREWS USE No.7 DRILL  
 FOR No.14 WOOD SCREWS USE 5/32" DRILL  
 FOUR (4) HOLES IN DOOR

FOR FLUSH DOOR 3/4 (19)  
 AND FRAME ①  
 OR  
 FOR 1/8" INSET DOOR 5/8 (16)



NOTES

1. DO NOT SCALE DRAWING.
2. DIMENSIONS ARE IN INCHES/(MM).
3. RIGHT HAND DOOR SHOWN.
4. BEVEL HEEL EDGE OF DOOR  
 $1/8"$  IN  $2"$ .
5. ALL NECESSARY REINFORCEMENT  
 FOR PIVOT BY OTHERS.

