



Door Contact Switch & Remote Disable Cable

P/N 202233

The Kaba Mas Gen2 Combination Lock has additional signal inputs which allow external control of some functions.

There are two signals for the Door Contact Switch for connecting to a Form C switch with a nominally open and a nominally closed connection. If the signals are in the door open condition, the lock will not return with a close seal and will return a close seal for all other states or if cable is not connected.

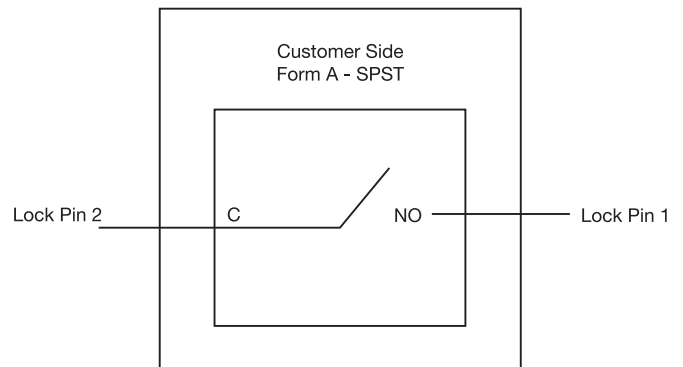
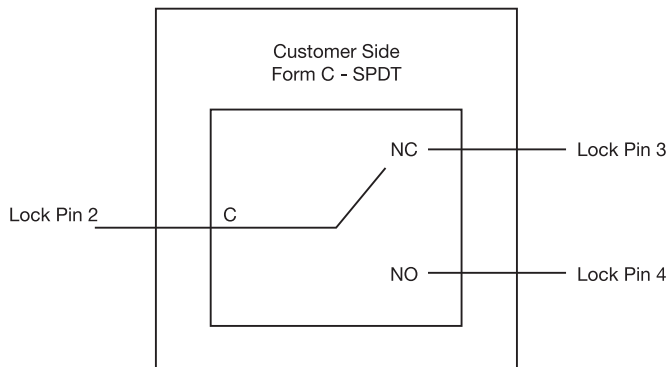
The Remote Disable signal should be connected to the nominally open switch. When the switch is engaged, the lock cannot be opened.

Pin Identification:

Pin 1 will be marked on the cable with a black or red mark.

All Signals except for Common will be pulled up to 3.3V with a 1 Mega ohm resistor.

PIN#	FUNCTION	RECOMMENDED CONNECTION
1	N/O DISABLES LOCK WHEN CONNECTED SWITCH IS CLOSED. (Form A Switch)	Switch with 1 Ohm Max. Resistance contact
2	COM COMMON (Form A and Form C Switches)	
3	N/C DOOR CLOSED STATE A	Switch with 1 Ohm max. contact resistance
4	N/O DOOR CLOSED STATE A	Switch with 1 Ohm max. contact resistance



LOCK WILL NOT RETURN A CLOSE SEAL IF PIN 3 SWITCH IS OPEN AND PIN 4 SWITCH IS CLOSED (Form C Switch)

Kaba Mas LLC
749 W. Short Street, Lexington, KY 40508 USA
Phone (800) 253-4744 FAX (859) 255-2655
Technical Support: (800) 950-4744
www.kaba-mas.com