



5250 Offset Round Entrance Pull Handles

dormakaba's offset round entrance pull handles epitomize the high quality ambitions of the dormakaba brand – designed for excellence down to the very last detail and exuding fine craftsmanship. They offer genuine quality, characterised by clearly defined features – irrespective of shape or size.

Created in solid, premium 316 Marine Grade Stainless Steel offering superior corrosion resistance for internal and external use in high traffic buildings. The offset round section allows comfortable ease of use.

The 5250 offset round entry pull handles are an ideal choice for residential and commercial applications and are suitable for use on glass, timber and aluminium doors.

Please refer to ordering details for a range of optional accessories to suit:

- Back to back extended fixing for timber doors
- Back to back fixing for glass doors
- Disc fixing for timber doors
- Disc fixing for glass doors

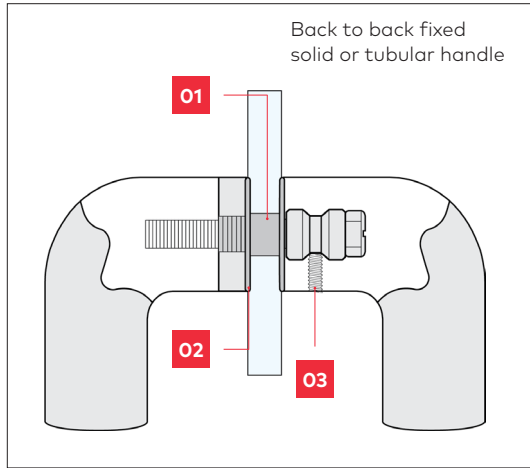
Features at a glance:

- 316 Marine Grade Stainless Steel
- Designed with your project's needs in mind
- High durability with concealed fixings
- Standard finishes: SSS and PSS
- Powdercoat and custom finishes available on request

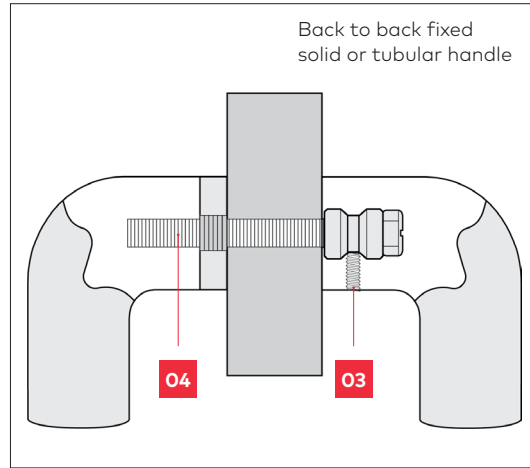
dormakaba Australia
Head Office
12-13 Dansu Court
Hallam VIC 3803
T: 1800 675 411
info.au@dormakaba.com
www.dormakaba.com.au

dormakaba New Zealand
Head Office
Building P, 61-69 Patiki Road
Avondale, Auckland 1026
T: 0800 436 762
info.nz@dormakaba.com
www.dormakaba.co.nz

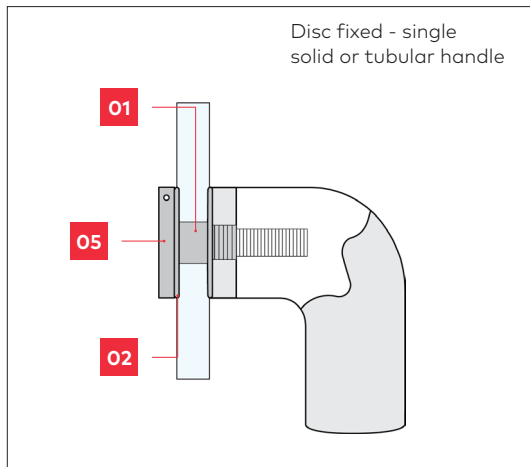
Fixing options



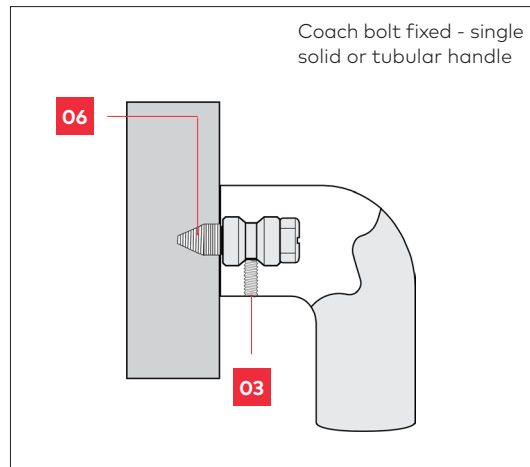
GD FIX - glass doors



TM FIX - timber or metal doors



D FIX - glass, metal or timber doors



C FIX - timber doors only

Note

Nylon spacers and washers are included with handle for glass door fixing option.

Legend

- 01** Spacer
- 02** Washer
- 03** Grub Screw
- 04** Bolt
- 05** Disc
- 06** Coach Bolt

TIMBER DOOR FIXING

Material Size	Bolt Size
14mm Ø	5mm
16mm Ø	5mm
19mm Ø	8mm
25mm Ø	8mm
32mm Ø	8mm

METAL DOOR FIXING

Material Size	Bolt Size
14mm Ø	5mm
16mm Ø	5mm
19mm Ø	8mm
25mm Ø	8mm
32mm Ø	8mm

GLASS DOOR FIXING

Material Size	Bolt Size
14mm Ø	12mm Ø
16mm Ø	12mm Ø
19mm Ø	12mm Ø
25mm Ø	12mm Ø
32mm Ø	12mm Ø

Ordering details

Item	Article Number	Description	Diameter	Projection	Offset	Length	Fixing Centres
BACK TO BACK FIXING							
B5250/K/14/PSS	9457257611102	B5250/K/14 OA 1400 CTC 1240 PSS	14mm	80mm	48mm	1400mm	1240mm
B5250/K/14/SSS	9457257611101	B5250/K/14 OA 1400 CTC 1240 SSS	14mm	80mm	48mm	1400mm	1240mm
B5250/K/16/PSS	9457257612102	B5250/K/16 OA 1400 CTC 1240 PSS	16mm	85mm	50mm	1400mm	1240mm
B5250/K/16/SSS	9457257612101	B5250/K/16 OA 1400 CTC 1240 SSS	16mm	85mm	50mm	1400mm	1240mm
B5250/L/14/PSS	9457257221102	B5250/L/14 OA 1300 CTC 1140 PSS	14mm	80mm	48mm	1300mm	1140mm
B5250/L/14/SSS	9457257221101	B5250/L/14 OA 1300 CTC 1140 SSS	14mm	80mm	48mm	1300mm	1140mm
B5250/L/16/PSS	9457257222102	B5250/L/16 OA 1300 CTC 1140 PSS	16mm	85mm	50mm	1300mm	1140mm
B5250/L/16/SSS	9457257222101	B5250/L/16 OA 1300 CTC 1140 SSS	16mm	85mm	50mm	1300mm	1140mm
B5250/M/14/PSS	9457256891102	B5250/M/14 OA 1200 CTC 1040 PSS	14mm	80mm	48mm	1200mm	1040mm
B5250/M/14/SSS	9457256891101	B5250/M/14 OA 1200 CTC 1040 SSS	14mm	80mm	48mm	1200mm	1040mm
B5250/M/16/PSS	9457256892102	B5250/M/16 OA 1200 CTC 1040 PSS	16mm	85mm	50mm	1200mm	1040mm
B5250/M/16/SSS	9457256892101	B5250/M/16 OA 1200 CTC 1040 SSS	16mm	85mm	50mm	1200mm	1040mm
B5250/N/14/PSS	9457256471102	B5250/N/14 OA 1100 CTC 940 PSS	14mm	80mm	48mm	1100mm	940mm
B5250/N/14/SSS	9457256471101	B5250/N/14 OA 1100 CTC 940 SSS	14mm	80mm	48mm	1100mm	940mm
B5250/N/16/PSS	9457256472102	B5250/N/16 OA 1100 CTC 940 PSS	16mm	85mm	50mm	1100mm	940mm
B5250/N/16/SSS	9457256472101	B5250/N/16 OA 1100 CTC 940 SSS	16mm	85mm	50mm	1100mm	940mm
B5250/O/14/PSS	9457256081102	B5250/O/14 OA 1000 CTC 840 PSS	14mm	80mm	48mm	1000mm	840mm
B5250/O/14/SSS	9457256081101	B5250/O/14 OA 1000 CTC 840 SSS	14mm	80mm	48mm	1000mm	840mm
B5250/O/16/PSS	9457256082102	B5250/O/16 OA 1000 CTC 840 PSS	16mm	85mm	50mm	1000mm	840mm
B5250/O/16/SSS	9457256082101	B5250/O/16 OA 1000 CTC 840 SSS	16mm	85mm	50mm	1000mm	840mm
B5250/P/14/PSS	9457255511102	B5250/P/14 OA 900 CTC 740 PSS	14mm	80mm	48mm	900mm	740mm
B5250/P/14/SSS	9457255511101	B5250/P/14 OA 900 CTC 740 SSS	14mm	80mm	48mm	900mm	740mm
B5250/P/16/PSS	9457255512102	B5250/P/16 OA 900 CTC 740 PSS	16mm	85mm	50mm	900mm	740mm
B5250/P/16/SSS	9457255512101	B5250/P/16 OA 900 CTC 740 SSS	16mm	85mm	50mm	900mm	740mm
B5250/Q/14/PSS	9457255061102	B5250/Q/14 OA 800 CTC 640 PSS	14mm	80mm	48mm	800mm	640mm
B5250/Q/14/SSS	9457255061101	B5250/Q/14 OA 800 CTC 640 SSS	14mm	80mm	48mm	800mm	640mm
B5250/Q/16/PSS	9457255062102	B5250/Q/16 OA 800 CTC 640 PSS	16mm	85mm	50mm	800mm	640mm
B5250/Q/16/SSS	9457255062101	B5250/Q/16 OA 800 CTC 640 SSS	16mm	85mm	50mm	800mm	640mm
B5250/R/14/PSS	9457254581102	B5250/R/14 OA 700 CTC 540 PSS	14mm	80mm	48mm	700mm	540mm
B5250/R/14/SSS	9457254581101	B5250/R/14 OA 700 CTC 540 SSS	14mm	80mm	48mm	700mm	540mm
B5250/R/16/PSS	9457254582102	B5250/R/16 OA 700 CTC 540 PSS	16mm	85mm	50mm	700mm	540mm
B5250/R/16/SSS	9457254582101	B5250/R/16 OA 700 CTC 540 SSS	16mm	85mm	50mm	700mm	540mm
B5250/S/14/PSS	9457253891102	B5250/S/14 OA 600 CTC 440 PSS	14mm	80mm	48mm	600mm	440mm
B5250/S/14/SSS	9457253891101	B5250/S/14 OA 600 CTC 440 SSS	14mm	80mm	48mm	600mm	440mm
B5250/S/16/PSS	9457253892102	B5250/S/16 OA 600 CTC 440 PSS	16mm	85mm	50mm	600mm	440mm
B5250/S/16/SSS	9457253892101	B5250/S/16 OA 600 CTC 440 SSS	16mm	85mm	50mm	600mm	440mm
B5250/T/14/PSS	9457253201102	B5250/T/14 OA 500 CTC 340 PSS	14mm	80mm	48mm	500mm	340mm
B5250/T/14/SSS	9457253201101	B5250/T/14 OA 500 CTC 340 SSS	14mm	80mm	48mm	500mm	340mm

Ordering details

Item	Article Number	Description	Diameter	Projection	Offset	Length	Fixing Centres
B5250/T/16/PSS	9457253202102	B5250/T/16 OA 500 CTC 340 PSS	16mm	85mm	50mm	500mm	340mm
B5250/T/16/SSS	9457253202101	B5250/T/16 OA 500 CTC 340 SSS	16mm	85mm	50mm	500mm	340mm
B5250/U/14/PSS	9457252481102	B5250/U/14 OA 400 CTC 240 PSS	14mm	80mm	48mm	400mm	240mm
B5250/U/14/SSS	9457252481101	B5250/U/14 OA 400 CTC 240 SSS	14mm	80mm	48mm	400mm	240mm
B5250/U/16/PSS	9457252482102	B5250/U/16 OA 400 CTC 240 PSS	16mm	85mm	50mm	400mm	240mm
B5250/U/16/SSS	9457252482101	B5250/U/16 OA 400 CTC 240 SSS	16mm	85mm	50mm	400mm	240mm

ACCESSORIES - EXTENDED FIXINGS

TM/M5/50	9459405045200	M5/50 BOLT & 10MM FERULE TM FIX	Note: When ordering extended fixings please use the below formula. Door thickness + 20mm for the Ferule + 10mm in to the other handle = round up to the nearest size offered.
TM/M5/75	9459705075200	M5/75 BOLT & 10MM FERULE TM FIX	
TM/M5/100	9459505055200	M5/100 BOLT & 10MM FERULE TM FIX	

ACCESSORIES - GLASS FIXINGS

GF14/M5/50 RND	9459501455301	14 DIA RND GLASS FIXING PAIRS
GF16/M5/50 RND	9459501655301	16 DIA RND GLASS FIXING PAIRS

CONCEALED FIXING

C5250/K/14/PSS	9457257611202	C5250/K/14 OA 1400 CTC 1240 PSS	14mm	80mm	48mm	1400mm	1240mm
C5250/K/14/SSS	9457257611201	C5250/K/14 OA 1400 CTC 1240 SSS	14mm	80mm	48mm	1400mm	1240mm
C5250/K/16/PSS	9457257612202	C5250/K/16 OA 1400 CTC 1240 PSS	16mm	85mm	50mm	1400mm	1240mm
C5250/K/16/SSS	9457257612201	C5250/K/16 OA 1400 CTC 1240 SSS	16mm	85mm	50mm	1400mm	1240mm
C5250/L/14/PSS	9457257221202	C5250/L/14 OA 1300 CTC 1140 PSS	14mm	80mm	48mm	1300mm	1140mm
C5250/L/14/SSS	9457257221201	C5250/L/14 OA 1300 CTC 1140 SSS	14mm	80mm	48mm	1300mm	1140mm
C5250/L/16/PSS	9457257222202	C5250/L/16 OA 1300 CTC 1140 PSS	16mm	85mm	50mm	1300mm	1140mm
C5250/L/16/SSS	9457257222201	C5250/L/16 OA 1300 CTC 1140 SSS	16mm	85mm	50mm	1300mm	1140mm
C5250/M/14/PSS	9457256891202	C5250/M/14 OA 1200 CTC 1040 PSS	14mm	80mm	48mm	1200mm	1040mm
C5250/M/14/SSS	9457256891201	C5250/M/14 OA 1200 CTC 1040 SSS	14mm	80mm	48mm	1200mm	1040mm
C5250/M/16/PSS	9457256892202	C5250/M/16 OA 1200 CTC 1040 PSS	16mm	85mm	50mm	1200mm	1040mm
C5250/M/16/SSS	9457256892201	C5250/M/16 OA 1200 CTC 1040 SSS	16mm	85mm	50mm	1200mm	1040mm
C5250/N/14/PSS	9457256471202	C5250/N/14 OA 1100 CTC 940 PSS	14mm	80mm	48mm	1100mm	940mm
C5250/N/14/SSS	9457256471201	C5250/N/14 OA 1100 CTC 940 SSS	14mm	80mm	48mm	1100mm	940mm
C5250/N/16/PSS	9457256472202	C5250/N/16 OA 1100 CTC 940 PSS	16mm	85mm	50mm	1100mm	940mm
C5250/N/16/SSS	9457256472201	C5250/N/16 OA 1100 CTC 940 SSS	16mm	85mm	50mm	1100mm	940mm
C5250/O/14/PSS	9457256081202	C5250/O/14 OA 1000 CTC 840 PSS	14mm	80mm	48mm	1000mm	840mm
C5250/O/14/SSS	9457256081201	C5250/O/14 OA 1000 CTC 840 SSS	14mm	80mm	48mm	1000mm	840mm
C5250/O/16/PSS	9457256082202	C5250/O/16 OA 1000 CTC 840 PSS	16mm	85mm	50mm	1000mm	840mm
C5250/O/16/SSS	9457256082201	C5250/O/16 OA 1000 CTC 840 SSS	16mm	85mm	50mm	1000mm	840mm
C5250/P/14/PSS	9457255511202	C5250/P/14 OA 900 CTC 740 PSS	14mm	80mm	48mm	900mm	740mm
C5250/P/14/SSS	9457255511201	C5250/P/14 OA 900 CTC 740 SSS	14mm	80mm	48mm	900mm	740mm
C5250/P/16/PSS	9457255512202	C5250/P/16 OA 900 CTC 740 PSS	16mm	85mm	50mm	900mm	740mm
C5250/P/16/SSS	9457255512201	C5250/P/16 OA 900 CTC 740 SSS	16mm	85mm	50mm	900mm	740mm
C5250/Q/14/PSS	9457255061202	C5250/Q/14 OA 800 CTC 640 PSS	14mm	80mm	48mm	800mm	640mm
C5250/Q/14/SSS	9457255061201	C5250/Q/14 OA 800 CTC 640 SSS	14mm	80mm	48mm	800mm	640mm

Ordering details

Item	Article Number	Description	Diameter	Projection	Offset	Length	Fixing Centres
C5250/Q/16/PSS	9457255062202	C5250/Q/16 OA 800 CTC 640 PSS	16mm	85mm	50mm	800mm	640mm
C5250/Q/16/SSS	9457255062201	C5250/Q/16 OA 800 CTC 640 SSS	16mm	85mm	50mm	800mm	640mm
C5250/R/14/PSS	9457254581202	C5250/R/14 OA 700 CTC 540 PSS	14mm	80mm	48mm	700mm	540mm
C5250/R/14/SSS	9457254581201	C5250/R/14 OA 700 CTC 540 SSS	14mm	80mm	48mm	700mm	540mm
C5250/R/16/PSS	9457254582202	C5250/R/16 OA 700 CTC 540 PSS	16mm	85mm	50mm	700mm	540mm
C5250/R/16/SSS	9457254582201	C5250/R/16 OA 700 CTC 540 SSS	16mm	85mm	50mm	700mm	540mm
C5250/S/14/PSS	9457253891202	C5250/S/14 OA 600 CTC 440 PSS	14mm	80mm	48mm	600mm	440mm
C5250/S/14/SSS	9457253891201	C5250/S/14 OA 600 CTC 440 SSS	14mm	80mm	48mm	600mm	440mm
C5250/S/16/PSS	9457253892202	C5250/S/16 OA 600 CTC 440 PSS	16mm	85mm	50mm	600mm	440mm
C5250/S/16/SSS	9457253892201	C5250/S/16 OA 600 CTC 440 SSS	16mm	85mm	50mm	600mm	440mm
C5250/T/14/PSS	9457253201202	C5250/T/14 OA 500 CTC 340 PSS	14mm	80mm	48mm	500mm	340mm
C5250/T/14/SSS	9457253201201	C5250/T/14 OA 500 CTC 340 SSS	14mm	80mm	48mm	500mm	340mm
C5250/T/16/PSS	9457253202202	C5250/T/16 OA 500 CTC 340 PSS	16mm	85mm	50mm	500mm	340mm
C5250/T/16/SSS	9457253202201	C5250/T/16 OA 500 CTC 340 SSS	16mm	85mm	50mm	500mm	340mm
C5250/U/14/PSS	9457252481202	C5250/U/14 OA 400 CTC 240 PSS	14mm	80mm	48mm	400mm	240mm
C5250/U/14/SSS	9457252481201	C5250/U/14 OA 400 CTC 240 SSS	14mm	80mm	48mm	400mm	240mm
C5250/U/16/PSS	9457252482202	C5250/U/16 OA 400 CTC 240 PSS	16mm	85mm	50mm	400mm	240mm
C5250/U/16/SSS	9457252482201	C5250/U/16 OA 400 CTC 240 SSS	16mm	85mm	50mm	400mm	240mm

DISC FIXING							
D5250/K/14/PSS	9457257611302	D5250/K/14 OA 1400 CTC 1240 PSS	14mm	80mm	48mm	1400mm	1240mm
D5250/K/14/SSS	9457257611301	D5250/K/14 OA 1400 CTC 1240 SSS	14mm	80mm	48mm	1400mm	1240mm
D5250/K/16/PSS	9457257612302	D5250/K/16 OA 1400 CTC 1240 PSS	16mm	85mm	50mm	1400mm	1240mm
D5250/K/16/SSS	9457257612301	D5250/K/16 OA 1400 CTC 1240 SSS	16mm	85mm	50mm	1400mm	1240mm
D5250/L/14/PSS	9457257221302	D5250/L/14 OA 1300 CTC 1140 PSS	14mm	80mm	48mm	1300mm	1140mm
D5250/L/14/SSS	9457257221301	D5250/L/14 OA 1300 CTC 1140 SSS	14mm	80mm	48mm	1300mm	1140mm
D5250/L/16/PSS	9457257222302	D5250/L/16 OA 1300 CTC 1140 PSS	16mm	85mm	50mm	1300mm	1140mm
D5250/L/16/SSS	9457257222301	D5250/L/16 OA 1300 CTC 1140 SSS	16mm	85mm	50mm	1300mm	1140mm
D5250/M/14/PSS	9457256891302	D5250/M/14 OA 1200 CTC 1040 PSS	14mm	80mm	48mm	1200mm	1040mm
D5250/M/14/SSS	9457256891301	D5250/M/14 OA 1200 CTC 1040 SSS	14mm	80mm	48mm	1200mm	1040mm
D5250/M/16/PSS	9457256892302	D5250/M/16 OA 1200 CTC 1040 PSS	16mm	85mm	50mm	1200mm	1040mm
D5250/M/16/SSS	9457256892301	D5250/M/16 OA 1200 CTC 1040 SSS	16mm	85mm	50mm	1200mm	1040mm
D5250/N/14/PSS	9457256471302	D5250/N/14 OA 1100 CTC 940 PSS	14mm	80mm	48mm	1100mm	940mm
D5250/N/14/SSS	9457256471301	D5250/N/14 OA 1100 CTC 940 SSS	14mm	80mm	48mm	1100mm	940mm
D5250/N/16/PSS	9457256472302	D5250/N/16 OA 1100 CTC 940 PSS	16mm	85mm	50mm	1100mm	940mm
D5250/N/16/SSS	9457256472301	D5250/N/16 OA 1100 CTC 940 SSS	16mm	85mm	50mm	1100mm	940mm
D5250/O/14/PSS	9457256081302	D5250/O/14 OA 1000 CTC 840 PSS	14mm	80mm	48mm	1000mm	840mm
D5250/O/14/SSS	9457256081301	D5250/O/14 OA 1000 CTC 840 SSS	14mm	80mm	48mm	1000mm	840mm
D5250/O/16/PSS	9457256082302	D5250/O/16 OA 1000 CTC 840 PSS	16mm	85mm	50mm	1000mm	840mm
D5250/O/16/SSS	9457256082301	D5250/O/16 OA 1000 CTC 840 SSS	16mm	85mm	50mm	1000mm	840mm

Ordering details

Item	Article Number	Description	Diameter	Projection	Offset	Length	Fixing Centres
D5250/P/14/PSS	9457255511302	D5250/P/14 OA 900 CTC 740 PSS	14mm	80mm	48mm	900mm	740mm
D5250/P/14/SSS	9457255511301	D5250/P/14 OA 900 CTC 740 SSS	14mm	80mm	48mm	900mm	740mm
D5250/P/16/PSS	9457255512302	D5250/P/16 OA 900 CTC 740 PSS	16mm	85mm	50mm	900mm	740mm
D5250/P/16/SSS	9457255512301	D5250/P/16 OA 900 CTC 740 SSS	16mm	85mm	50mm	900mm	740mm
D5250/Q/14/PSS	9457255061302	D5250/Q/14 OA 800 CTC 640 PSS	14mm	80mm	48mm	800mm	640mm
D5250/Q/14/SSS	9457255061301	D5250/Q/14 OA 800 CTC 640 SSS	14mm	80mm	48mm	800mm	640mm
D5250/Q/16/PSS	9457255062302	D5250/Q/16 OA 800 CTC 640 PSS	16mm	85mm	50mm	800mm	640mm
D5250/Q/16/SSS	9457255062301	D5250/Q/16 OA 800 CTC 640 SSS	16mm	85mm	50mm	800mm	640mm
D5250/R/14/PSS	9457254581302	D5250/R/14 OA 700 CTC 540 PSS	14mm	80mm	48mm	700mm	540mm
D5250/R/14/SSS	9457254581301	D5250/R/14 OA 700 CTC 540 SSS	14mm	80mm	48mm	700mm	540mm
D5250/R/16/PSS	9457254582302	D5250/R/16 OA 700 CTC 540 PSS	16mm	85mm	50mm	700mm	540mm
D5250/R/16/SSS	9457254582301	D5250/R/16 OA 700 CTC 540 SSS	16mm	85mm	50mm	700mm	540mm
D5250/S/14/PSS	9457253891302	D5250/S/14 OA 600 CTC 440 PSS	14mm	80mm	48mm	600mm	440mm
D5250/S/14/SSS	9457253891301	D5250/S/14 OA 600 CTC 440 SSS	14mm	80mm	48mm	600mm	440mm
D5250/S/16/PSS	9457253892302	D5250/S/16 OA 600 CTC 440 PSS	16mm	85mm	50mm	600mm	440mm
D5250/S/16/SSS	9457253892301	D5250/S/16 OA 600 CTC 440 SSS	16mm	85mm	50mm	600mm	440mm
D5250/T/14/PSS	9457253201302	D5250/T/14 OA 500 CTC 340 PSS	14mm	80mm	48mm	500mm	340mm
D5250/T/14/SSS	9457253201301	D5250/T/14 OA 500 CTC 340 SSS	14mm	80mm	48mm	500mm	340mm
D5250/T/16/PSS	9457253202302	D5250/T/16 OA 500 CTC 340 PSS	16mm	85mm	50mm	500mm	340mm
D5250/T/16/SSS	9457253202301	D5250/T/16 OA 500 CTC 340 SSS	16mm	85mm	50mm	500mm	340mm
D5250/U/14/PSS	9457252481302	D5250/U/14 OA 400 CTC 240 PSS	14mm	80mm	48mm	400mm	240mm
D5250/U/14/SSS	9457252481301	D5250/U/14 OA 400 CTC 240 SSS	14mm	80mm	48mm	400mm	240mm
D5250/U/16/PSS	9457252482302	D5250/U/16 OA 400 CTC 240 PSS	16mm	85mm	50mm	400mm	240mm
D5250/U/16/SSS	9457252482301	D5250/U/16 OA 400 CTC 240 SSS	16mm	85mm	50mm	400mm	240mm
ACCESSORIES - EXTENDED FIXINGS							
DF14/M5/75 PSS	9459751455102	14MM DISK FIX PSS PAIR M5X75MM					
DF14/M5/75 SSS	9459751455101	14MM DISK FIX SSS PAIR M5X75MM					
DF16/M5/75 PSS	9459751655102	16MM DISK FIX PAIR M5X75MM PSS					
DF16/M5/75 SSS	9459751655101	16MM DISK FIX PAIR M5X75MM SSS					
ACCESSORIES - GLASS FIXINGS							
GDF14/M5/50 PSS	9459501455102	14MM GLASS DISK FIX PAIR PSS M5X50MM					
GDF14/M5/50 SSS	9459501455101	14MM GLASS DISK FIX PAIR SSS M5X50MM					
GDF16/M5/50 PSS	9459501655102	16MM GLASS DISK FIX PAIR M5X50MM PSS					
GDF16/M5/50 SSS	9400000014107	16MM GLASS DISK FIX PAIR M5X50MM SSS					