



The safety features of this product are essential to its compliance with EN 1125. No modification of any kind, other than those described in these instructions, are permitted.

Installation and fixing instructions

Before fitting an exit device to a door, the door should be checked to ensure correct hanging and freedom from binding.

Before fitting a panic exit device to a fire/smoke resisting door, the fire certification of the fire door assembly on which the exit device has been tested to prove suitability for use on a fire door should be examined. It is of utmost importance that an exit device is not used on a fire door assembly of a greater fire resistance time than approved for.

Care should be taken to ensure that any seals or weather-stripping fitted to the complete door assembly, does not inhibit the correct operations of the panic exit device.

On double doorsets with rebated meeting stiles and where both leaves are fitted with panic exit devices, it is essential to check that either leaf will open when its panic exit device is activated and also that both leaves will open freely when both panic exit devices are operated simultaneously. The use of a carry bar to move the active leaf may be required for this application.

Panic exit devices are not intended for use on double action (double swing) doors.

CE	dormakaba Deutschland GmbH		20								
	Postfach 4009 58247 Ennepetal										
0905-CPR-202263-01		3	7	6	B	1	4	2	2	A	A
EN 1125:2008		DOP_0178									

The fixing instructions should be carefully followed during installation. These instructions and any maintenance instructions should be passed on by the installer to the user.

The horizontal bar should normally be installed at a height of between 900 mm and 1100 mm from the finished floor level, when the door is in the secured position. Where it is known that the majority of the occupants of the premises will be young children, consideration should be given to reducing the height of the bar.

The horizontal bar should be installed so as to provide the maximum effective length.

Where panic exit devices are to be fitted to double doorsets with rebated meeting stiles and self closing devices, a door coordinator device in accordance with EN 1158 should be fitted to ensure the correct closing sequence of the doors. This recommendation is particularly important with regard to fire/smoke resisting door assemblies.

Any keepers or protection plates provided should be fitted in order to ensure compliance with this European Standard.

PHA 1202

Mounting instructions

WN 059997 45532/15027
2021-02

EN

dormakaba Monunting instructions

Maintenance instructions

To ensure performance in accordance with this document, the following routine maintenance checks should be undertaken at intervals of not more than one month:

Inspect and operate the panic exit device to ensure that all components are in a satisfactory working condition; using a force gauge, measure and record the operating forces (≤ 80 N) to release the exit device. Check that the operating forces have not changed significantly from the operating forces recorded when originally installed.

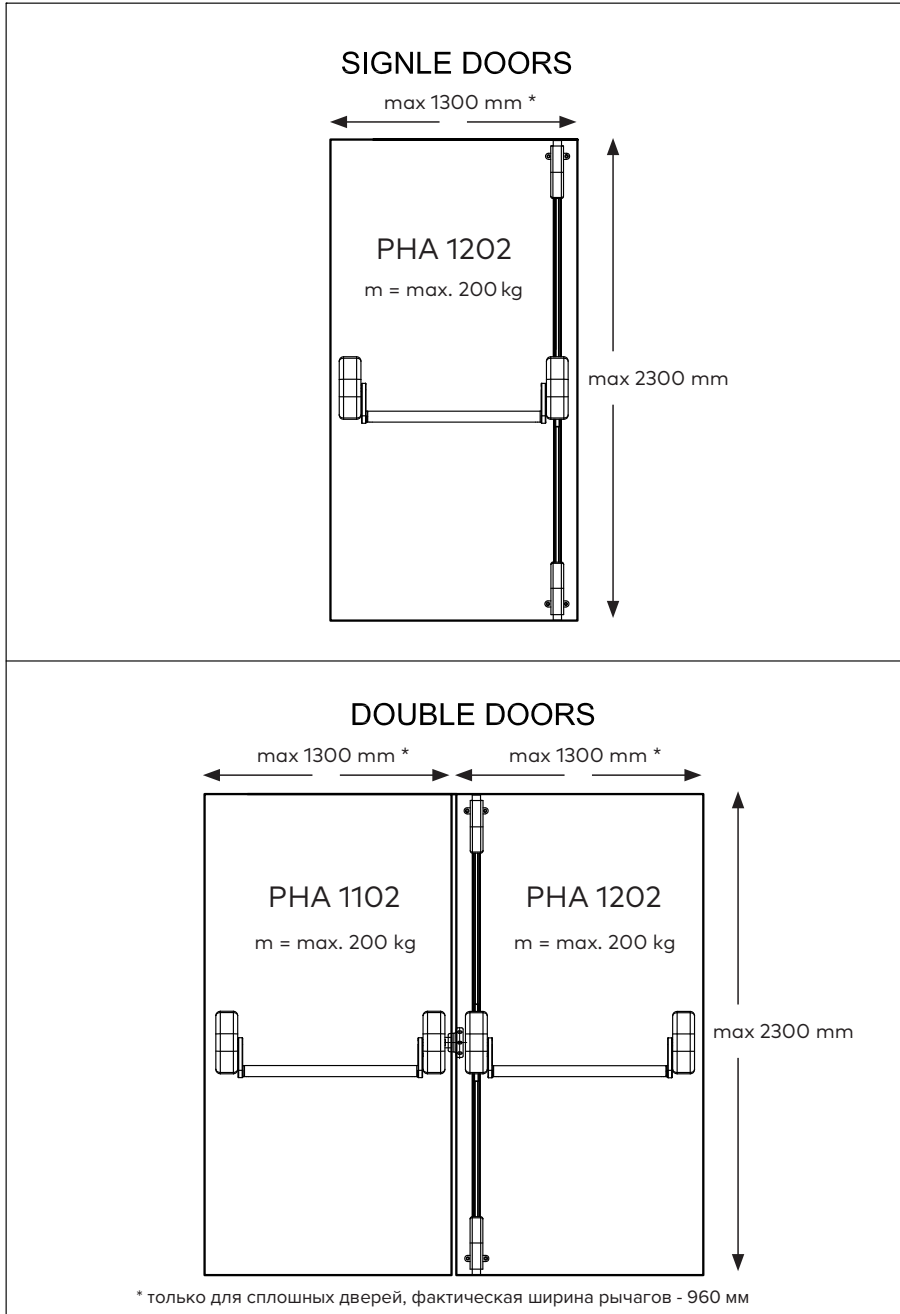
Ensure that the keeper(s) is (are) free from obstruction.

Lubricate all contact surfaces.

Check that no additional locking devices have been added to the door since its original installation.

Check that the operating forces have not changed significantly from the operating forces recorded when originally installed.

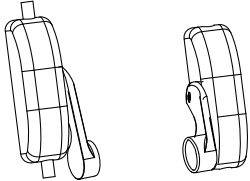

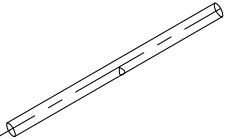
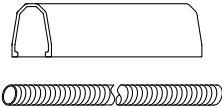


DEVICE APPLICATION



1. PARTS CHECK

1) MAKE SURE THE CORRECT DEVICE IS BEING USED.

2) MAKE SURE ALL NEEDED PARTS ARE ON HAND.

<p>1) DEVICE</p> 	<p>4) PULLMAN, 2 PCS</p> 
<p>2) PUSH BAR, 1 PCS</p> 	<p>2) SCRE ROD 2 PCS; COVER 2 PCS</p> 
<p>3) STRIKE WITH SCREW</p>  <p>STRIKE (2 PCS)</p> <p>4.8X25 (6 PCS)</p>	<p>4) SCREW PACK</p>  <p>BRACKET (2 PCS)</p>

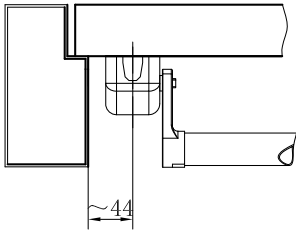
3) MAKE SURE OUTSIDE TRIM (IF BEING USED) HAS BEEN PROVIDED AND IS THE CORRECT HANDING.

2. DOOR LAYOUT

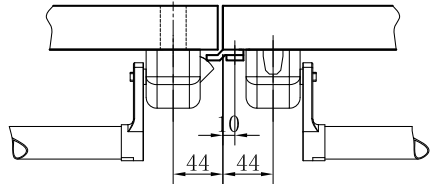
- 1) DOOR MUST BE FITTED AND HUNG PROPERLY BEFORE PROCEEDING.
- 2) MARK VERTICAL AND HORIZONTAL ON DOOR AND FRAME.

A) VERTICAL

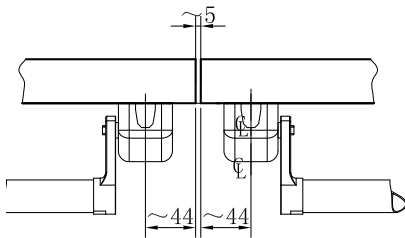
SINGLE DOOR APPLICATION



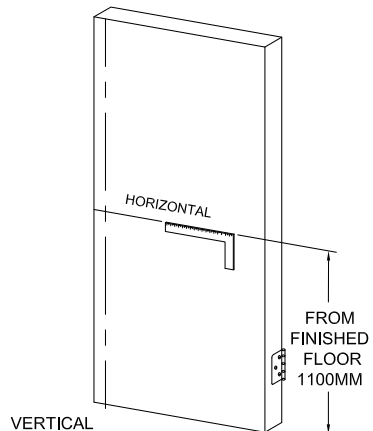
DOUBLE DOOR APPLICATION PUSH DEVICE x VERTICAL ROD



DOUBLE DOOR APPLICATION VERTICAL ROD x VERTICAL ROD

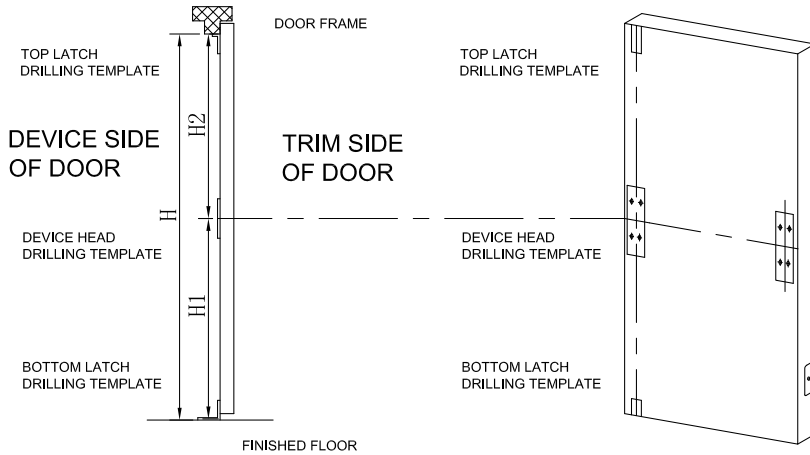


B) HORIZONTAL



3. DOOR & HARDWARE PREPARATION

1) TAPE DRILLING TEMPLATES ON DOOR USING VERTICAL AND HORIZONTAL



2) PREPARE HOLES FOR DEVICE, STRIKES AND PULLMAN.

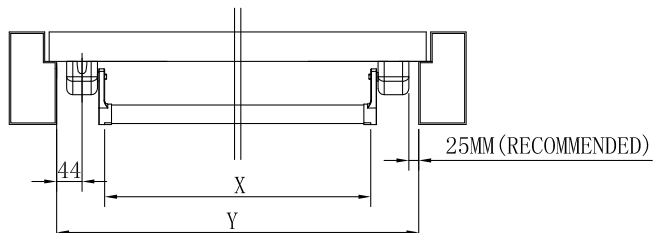
3) IF USING OUTSIDE TRIM, PREPARE DOOR USING SEPARATE TRIM DIRECTION SHEET.

4) DETERMINE DEVICE LENGTH.

A) THE DEVICE IS FIT FOR THE DOOR WIDTH FROM 400MM TO 1,000MM

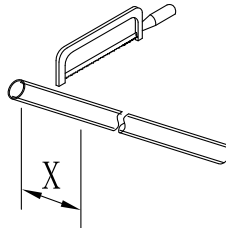
B) MEASURE THE DOOR CLEAR WIDTH OF "Y".

C) LENGTH OF THE PUSH BAR TO BE CUTTED IS "X": $X=Y-150$

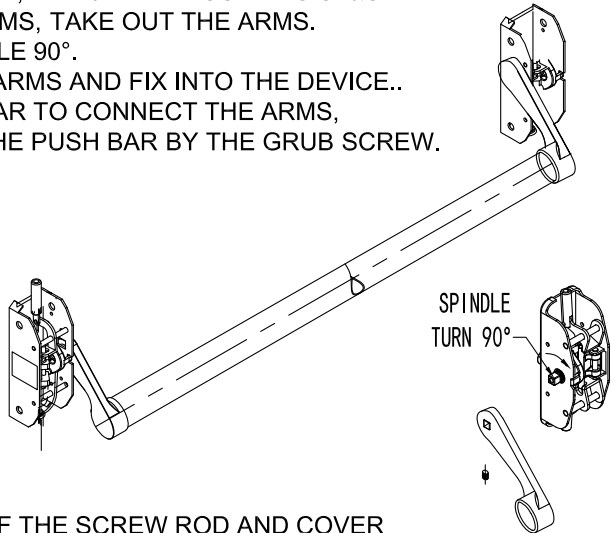


- 5) IF DOOR WIDTH IS LESS THAN 1,000MM, CUT PUSH BAR.
- A) MARK THE PUSH BAR FROM THE END TO THE LENGTH "X".
- B) CUT THE PUSH BAR TO MARKED DIMENSION AND REMOVE BURRS.

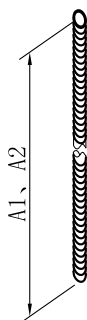
NOTE: FACTORY RECOMMENDS SAWING RATHER THAN GRIND CUT TO SIZE. GRINDING CAN DAMAGE THE FINISH OF THE PUSH BAR AND SAWING RESULTS IN LESS DAMAGE TO THE PUSH BAR'S FINISH.



- 6) DEVICE FOR LEFT DOOR AND RIGHT DOOR
- A) THE STANDARD PRODUCT IS FOR RIGHT DOOR.
- B) IF FOR LEFT DOOR, REMOVE THE SCREWS S1&S2 THAT FIX THE ARMS, TAKE OUT THE ARMS.
- C) TURN THE SPINDLE 90°.
- D) EXCHANGE THE ARMS AND FIX INTO THE DEVICE..
- E) PUT THE PUSH BAR TO CONNECT THE ARMS, BUT DON'T FIX THE PUSH BAR BY THE GRUB SCREW.



- 6) CUT THE LENGTH OF THE SCREW ROD AND COVER ACCORDING TO BELLOW LENGTH REQUIREMENT..



A1=H1-195
A2=H2-195



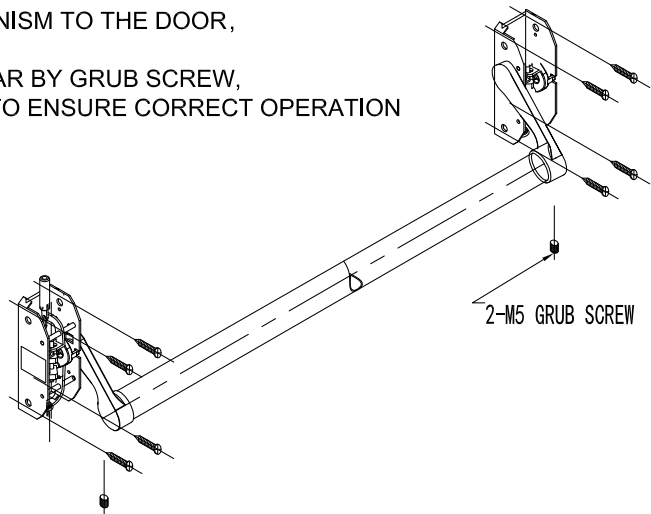
B1=H1-200
B2=H2-200

4. HARDWARE INSTALLATION

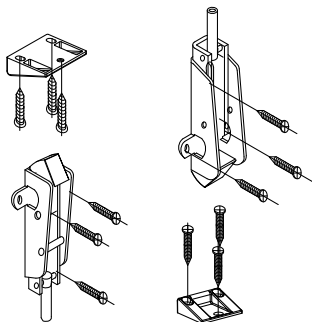
1) IF USING OUTSIDE TRIM OR SEXBOLTS, MOUNT TRIM PER DIRECTIONS IN TRIM BOX, OR INSTALL OUTSIDE SEX BOLTS.

2) INSTALL MECHANISM TO THE DOOR,

3) FIX THE PUSH BAR BY GRUB SCREW,
TEST THE UNIT TO ENSURE CORRECT OPERATION



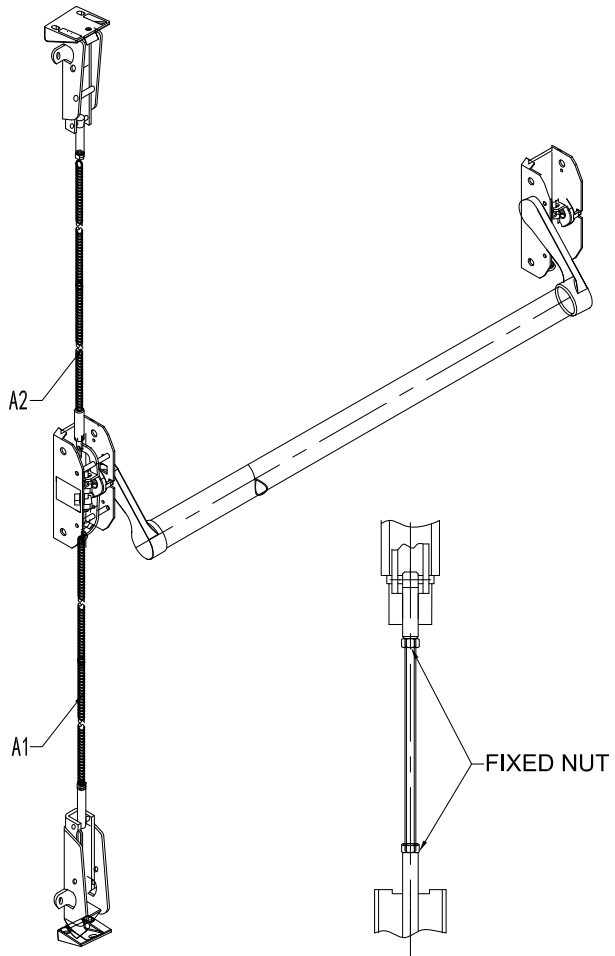
4) INSTALL TOP STRIKE AND BOTTOM STRIKES, AND THEN INSTALL PULLMAN LATCH BODIES TO ENSURE THAT THE LATCHBOLTS ENGAGE SECURELY TO THE STRIKE.



5) INSTALL TOP THREADED ROD INTO CONNECTOR PIECE ON TOP PULLMAN LATCH, HOLD THREADED ROD IN VERTICAL POSITION READY TO CONNECT WITH MAIN DEVICE.

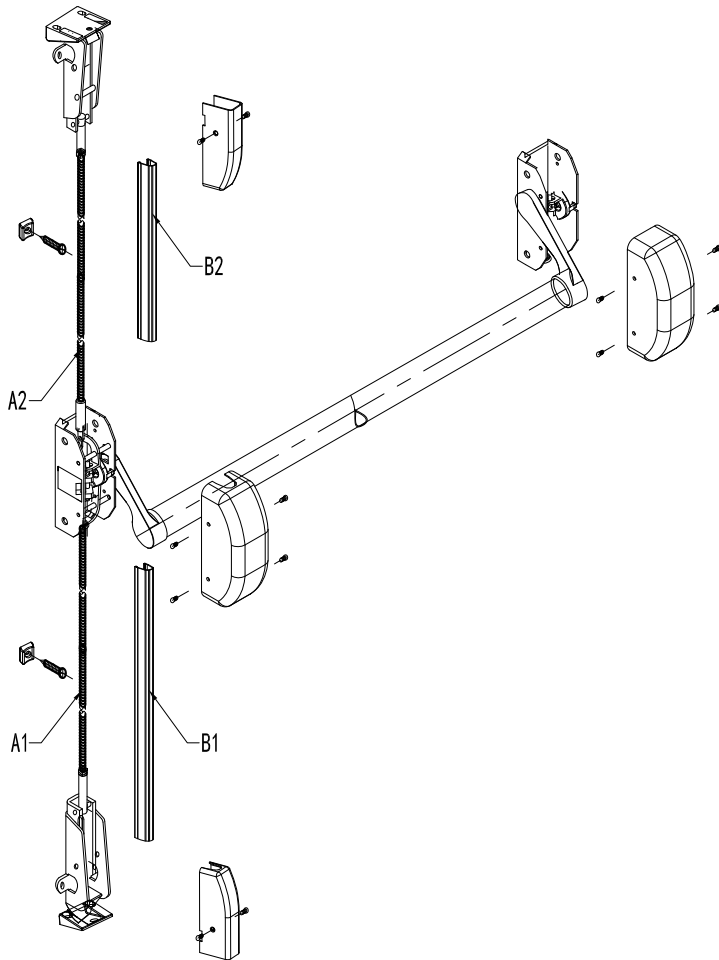
THIS WILL ALLOW YOU TO MARK THE ROD GUIDES POSITIONS AND FIX INTO PLACE. NOW CONNECT MAIN THREADED ROD TO THE ROD CONNECTION ON THE DEVICE AND SCREW INTO PLACE USING FIXING NUT.

TEST THE UNIT TO ENSURE CORRECT OPERATION



6) Install each cover in correct sequence and test the product at each stage to ensure correct operation.

- A) Install rod covers (again may need to be cut to size) operate the unit to check for binding - ensure rod cover is not too long to prevent the pullman latch mechanism from operating.
- B) Install main device head cover - Test the unit to ensure correct operation.
- C) Install device end cap onto mounting bracket.
- D) Install pullman latch covers & test the unit to ensure correct operation.



Original manual, subject to change without notice

dormakaba Deutschland GmbH DORMA Platz 1 58256 Ennepetal Deutschland
T: +49 2333 793-0 F: +49 2333 793-4950 www.dormakaba.com