

# ITS9613 and ITS9625

Closer in door, track in frame  
(wood door and frame)

## Installation instructions

08279631 – 02-2020

| EN |


dormakaba 

# Table of contents


<b>1</b>	<b>Technical specifications</b>	<b>3</b>
1.1	Overview	3
1.2	Tools recommended	3
1.3	Handing the door	3
<b>2</b>	<b>Installation instructions</b>	<b>4</b>
2.1	Insert track components	4
2.2	Installing main arm	4
2.3	Install closer	5
2.4	Secure arm to track	5
<b>3</b>	<b>Adjustments</b>	<b>6</b>
3.1	Adjust deadstop	6
3.2	Adjust sweep and latch	6
3.3	Adjust hold open	7
3.4	Adjust spring force	7


# 1 Technical specifications


## 1.1 Overview

 Caution: sex nuts are required for attachment of components to unreinforced doors and to wood or plastic faced composite type fire doors, unless an alternative method is identified in the individual door manufacturer’s listings.

 Maximum door opening degree is 120°.

 Know the swing of the door which is being installed prior to installation.

 Verify closer spring size prior to installation.

 Make sure door efficiently operates prior to installing closer.

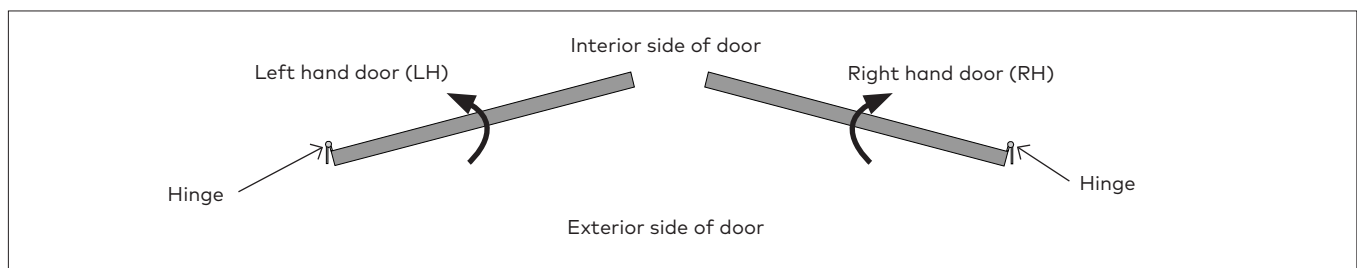
## 1.2 Tools recommended

Table 1

Drill bits:	#3 Phillips screwdriver
Metal: 7/32" drill bit; 1/4-20 tap	3/16" flat head screwdriver
Wood: 3/8" and 5/32" bit	3mm ,5mm, 6mm hex keys
1/2" box wrench	7/16" box wrench

## 1.3 Handing the door

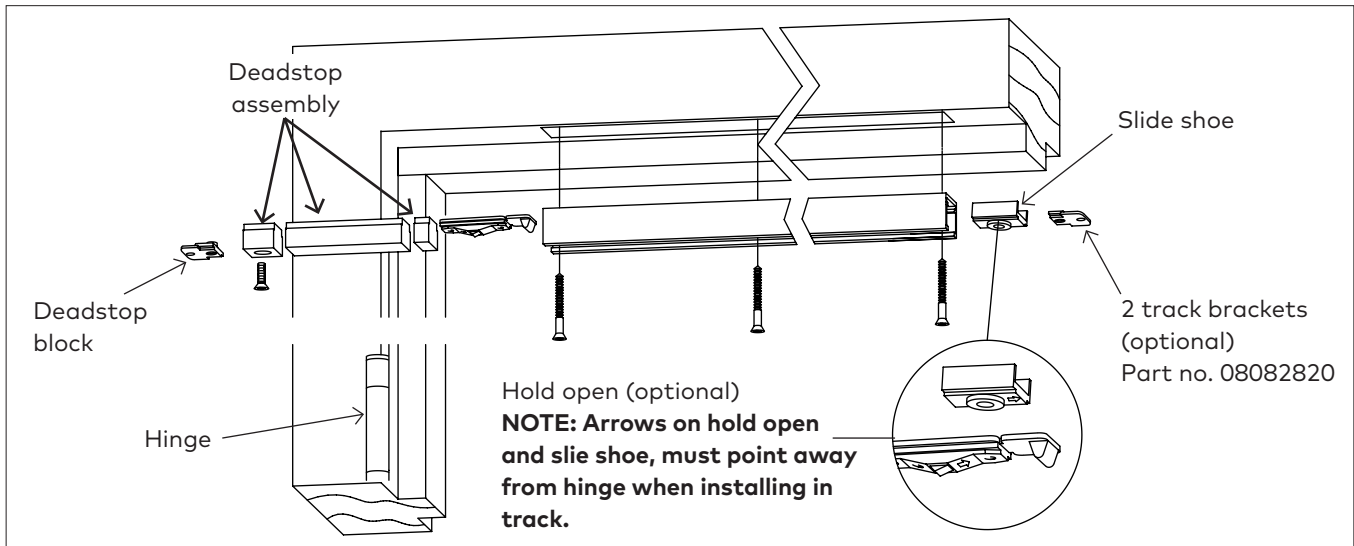
Fig.1



## 2 Installation instructions

### 2.1 Insert track components

Fig.2



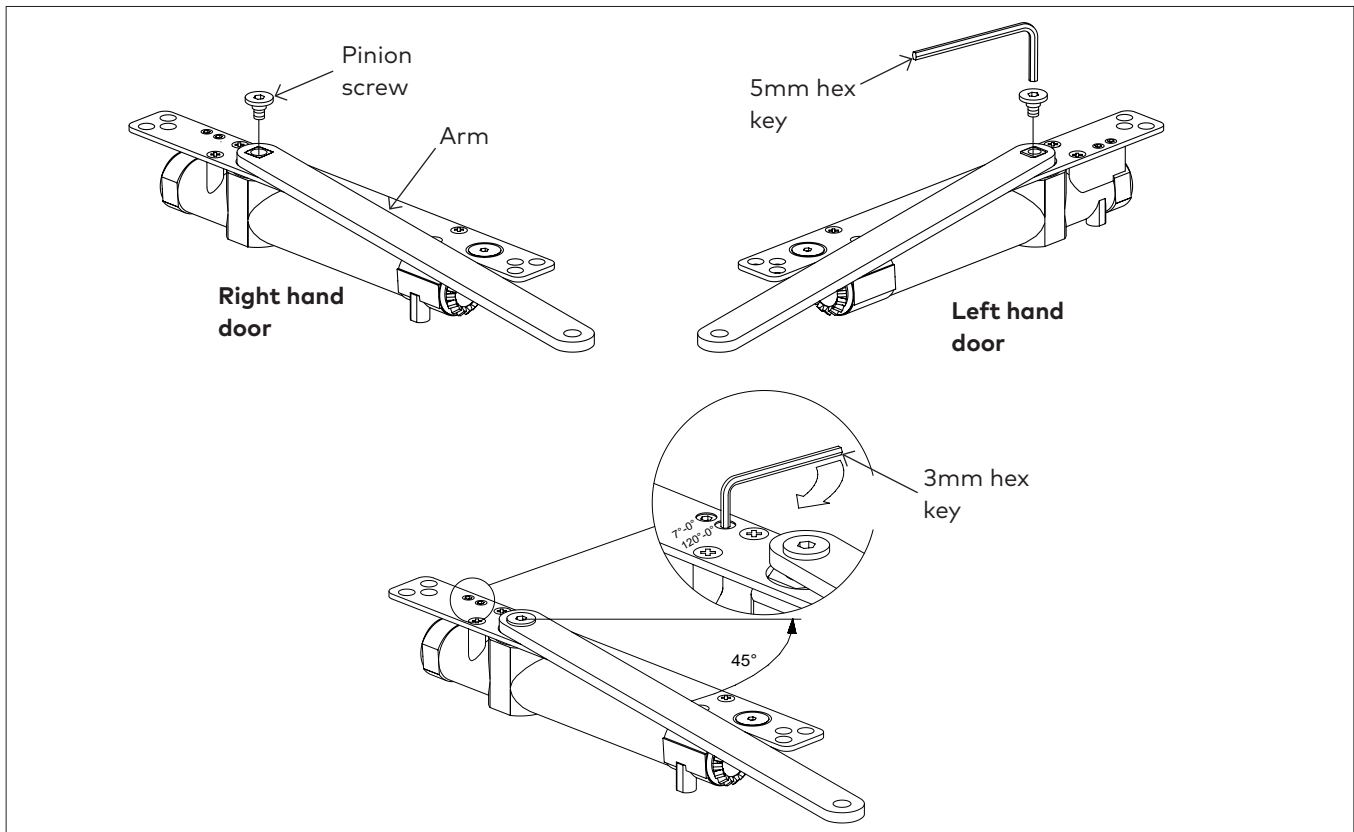
2.1.1 Thread screw a few turns into the deadstop block.

2.1.2 Insert components into track as shown.

2.1.3 Fasten track to frame.

### 2.2 Installing main arm

Fig.3



2.2.1 Place arm on closer according to hand of door.

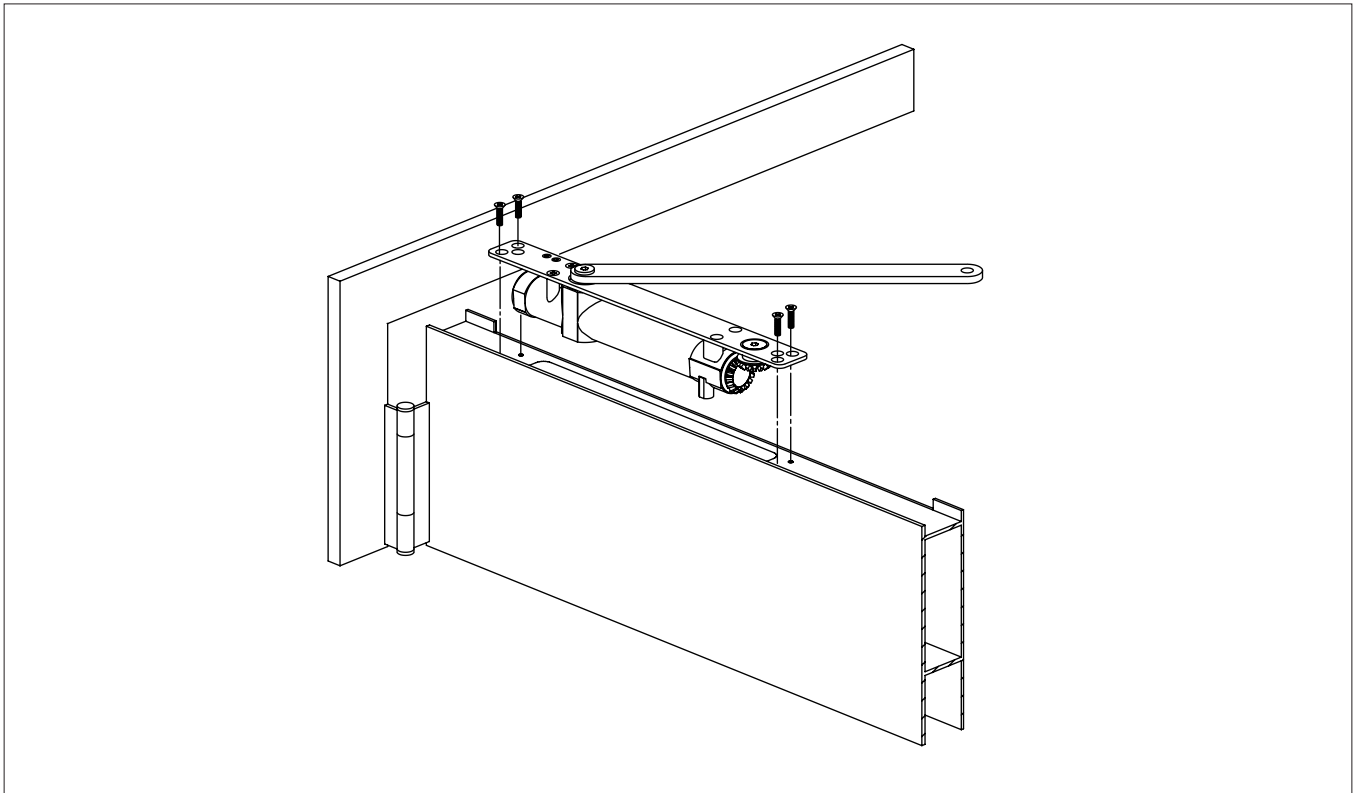
2.2.2 Secure arm with pinion screw.

2.2.3 Close valve by turning completely clockwise.

2.2.4 Rotate arm 45° to preload.

## 2.3 Install closer

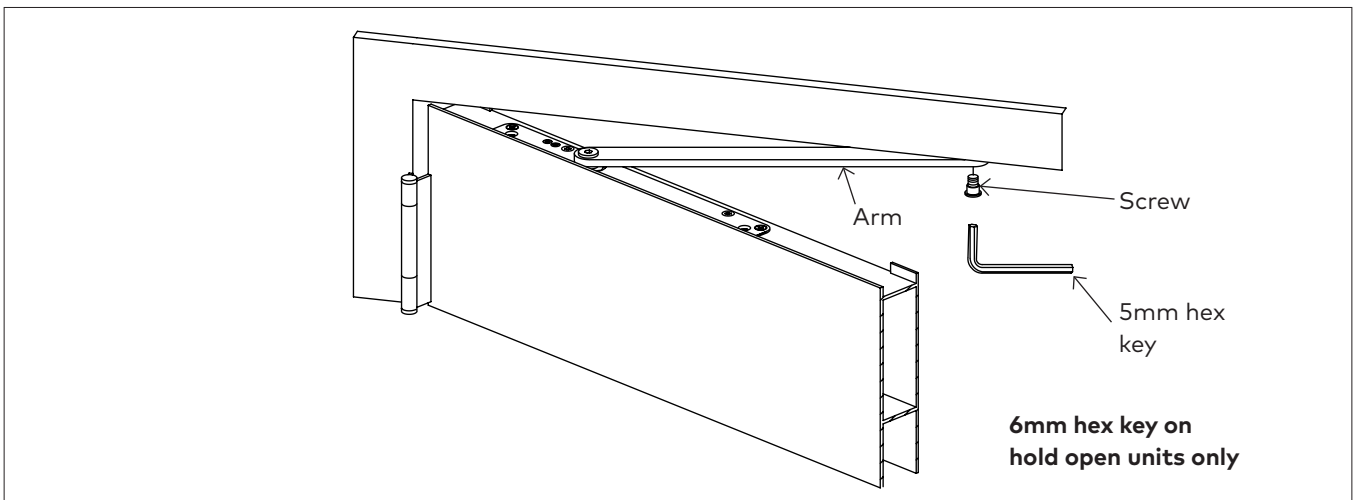
Fig.4



2.3.1 Secure closer to door.

## 2.4 Secure arm to track

Fig.5



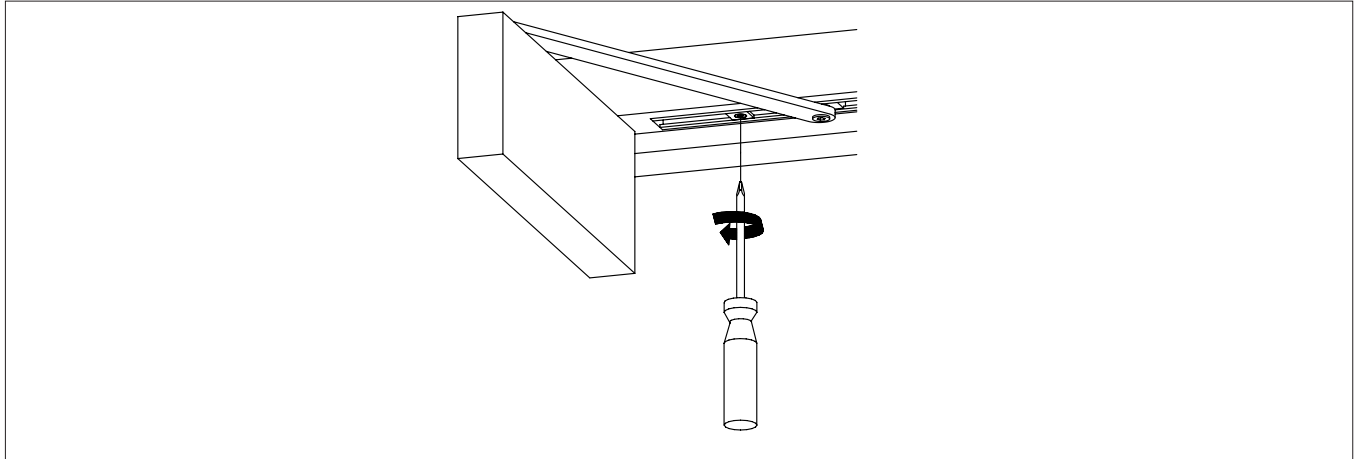
2.4.1 Align hole in arm with slide shoe.

2.4.2 Attach with screw provided.

# 3 Adjustments

## 3.1 Adjust deadstop

Fig.6

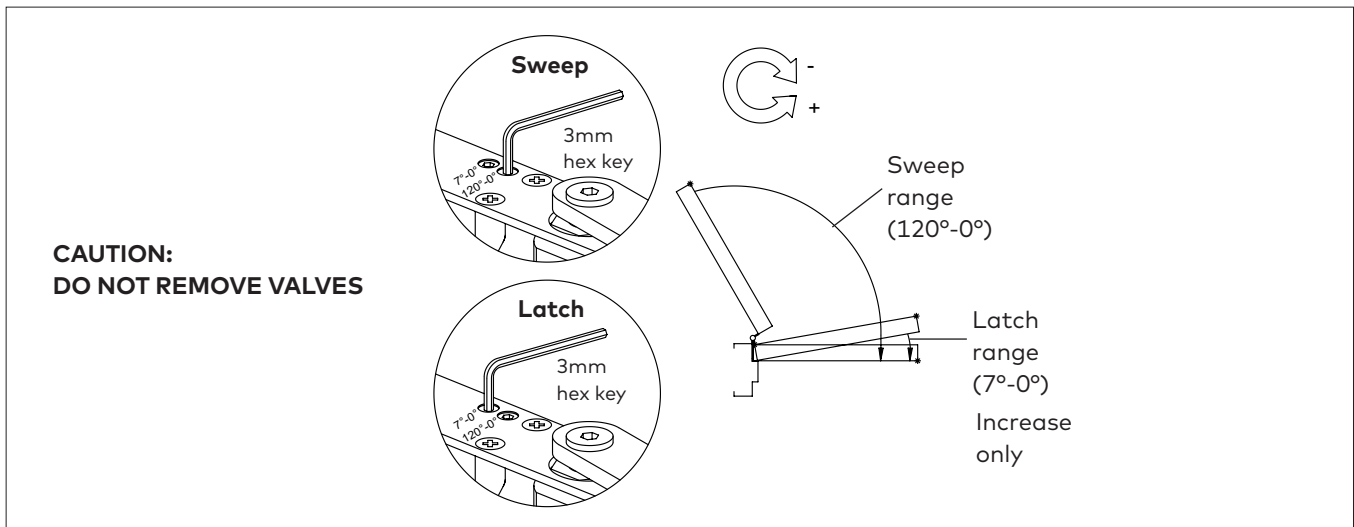


- 3.1.1 Open door to desired opening between 80° and 120°.
- 3.1.2 Tighten deadstop block.

**NOTE:** The deadstop helps to prevent damage to the door and wall when the door is opened normally. The deadstop is not abuse resistant, and cannot replace a door stop in many situations. Deadstop is adjustable between 80° and 120° maximum.

## 3.2 Adjust sweep and latch

Fig.7



### 3.3 Adjust hold open

Fig.8

3.3.1 Place the hold open mechanism in desired position and tighten screw.

3.3.2 To adjust hold open force:

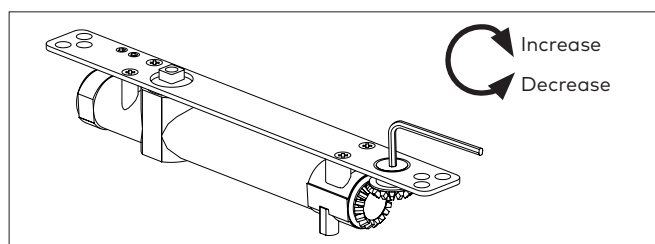
- To increase = turn CW
- To decrease = turn CCW

3.3.3 To enable: push white slide into hold open mechanism.

3.3.4 To disable: pull white slide away from hold open mechanism.

### 3.4 Adjust spring force

Fig.9



**Barrier free openings:** Adjust only if more tension is required to close and latch the door. Depending on opening conditions, a door adjusted to meet barrier-free forces may not have sufficient power to reliably close and latch the door.

- **Decrease force:** turn counter-clockwise
- **Increase force:** turn clockwise
- Max turns - 17

	Closer size	Max door weight (lbs)	Door width	
			Interior	Full turns
9613	2	100	2'6"	8
	3	125	3'	15
	4	150	3'6"	NA
	5	175	4'	NA
9625	2	100	2'6"	NA
	3	125	3'	-5
	4	150	3'6"	0
	5	175	4'	8

