

ED100LE

low energy swing door operator

dormakaba 



The ED100LE low energy swing door operator is the perfect solution for touch-free access applications, a versatile operator ideal for ADA-compliant applications.

Features

This medium or heavy duty swing door operator can automate new or existing manual swing doors with a push plate, wave plate, or other "knowing act" device. The ED100LE combines advanced power assist, reliable closing, and special firmware capabilities to help manage the combination of wind and building pressure. With a multitude of adjustable features, you have the flexibility to fine tune the operator to meet opening requirements.

Easily Adjustable

The ED100LE is a high adjustable, smartly engineered operator system at home in a variety of door systems, meeting the stringent requirements of ANSI 117.1 and ANSI A156.19.

Operator Types and Configurations

- 2-3/4" × 5-1/8" Fine Cover
- Surface applied

ED100LE technical specifications

Configuration			
Header dimensions (H x W x L)	2-3/4" x 5-1/8" x 34" (Fine)		
Operator weight	26.5 lb		
Internal power supply available for accessories	24 volts DC ± 5% 1.5 Amps		
Maximum door opening angle	110° (door stop recommended)		
Maximum wire size	16 AWG for incoming power 18 AWG for all other connections		
Maximum door weight	600 lb at maximum door width of 48"		
Door width	Minimum by operator type 28" for surface applied Maximum 48"		
Axle extensions	13/16" (20 mm) 1-3/16" (30 mm) 2-3/8" (60 mm)		
Reveal depth for pull arm with track	1-3/16" (30 mm)		
Reveal depth for standard push arm	0 to 9-3/4"		
Handing	Non-Handed		
Required operating conditions			
Ambient temperature	5°F – 122°F		
Power supply	115 volts AC ± 10%, 50/60 Hz Maximum 3.3 Amps, (SELV)		
Branch circuit protection (provided by others)	Maximum 15 Amps, dedicated branch circuit		
Protection class	NEMA 1		
Power wiring:black, white, bare copper (ground)	12 AWG		
Operating noise	Maximum 50 db(A)		
Inputs			
Activation inputs	X4*	Interior, exterior	Normally open contact
Safety sensors	X5	Swing, approach sides, normally closed contact	
Night/bank (intercom system)	X10 57, 57a	8 to 24 volts DC/volts AC + 5%	
Night/bank (key switch)	X1 35, 3	d2 parameter	Configure for Normally Open or Normally Closed
Deactivation of drive function	X6 4, 4a	d1 parameter	Configure for Normally Open or Normally Closed
Outputs			
Door status	X7 97, 98, 99	Sr parameter	Door closed Common Door open Normally Open Door closed, locked Normally Closed

NOTES

¹ Speeds automatically limited depending on door weight, set during learn cycle.

² In push version of slide channel with track installation type, forces are reduced by approximately 33%.

Operating specifications		
Automatic closing torque, lbf-ft ²	Minimum 14.8 lb f	Maximum 49 lb f
Manual closing torque, lbf-ft ²	Minimum 9.6 lb f	Maximum 27.3 lb f
Maximum opening speed, degrees per second ¹	27 %s	
Maximum closing speed, degrees per second ¹	27 %s	
Door closer modes		
Automatic mode	Designed for automatic access following pulse generation by a motion detector or pushbutton.	
Push-N-Go mode	Door opens automatically following a slight manual movement of the door.	
Power assist	Available only in door closer mode, manual opening drive support is automatically adjusted to operator size.	
Integrated functions		
Hold open time		
Automatic opening	dd parameter	0 to 30 seconds
Night/bank	dn parameter	0 to 30 seconds
Manual opening	do parameter	0 to 30 seconds
Door blocking behavior	hd parameter	Automatic, manual door modes
Electric strike delayed opening for locking mechanism	Ud parameter	0 to 4 seconds
Locking device feedback	X3 43, 3	Motor lock
Wind load control, maximum	Fo, Fc parameters	33.7 lb f 150 N
Voltage independent braking circuit	Adjustable with potentiometer	
LED status indicators Service manual	Green Red Yellow	24 Vdc power Error codes Service interval
Program & Exit Only switches	Auto, Close, Open, Exit Only; Off, On	
User interface	4-button keypad, 2-digit display	
Slot for DORMA upgrade cards	Extension of range of functions	
TMP, temperature management program Service manual	Overload protection	
IDC, initial drive control	Driving phase optimization	
Cycle counter	CC parameter	0 to 1,000,000
Power assist function	hA, hF, hS parameters	Drive support for manual opening door
Push & go function	PG parameter	Auto opening of door at 4° open

Standards of compliance

Upon installation in conformance to manufacturers directives, the ED100LE can be configured to meet ANSI/BHMA A156.19, U.S. Standard for Power Assist and Low Energy Power Operated Doors.

Low energy power operated door

A door fitted with an ED100LE operator that opens the door upon receipt of a knowing act activating signal, does not generate more kinetic energy than specified in ANSI A156.19, and includes provisions to reduce the chance of user injury or entrapment. In an A156.19 application, this is achieved utilizing the following design factors:

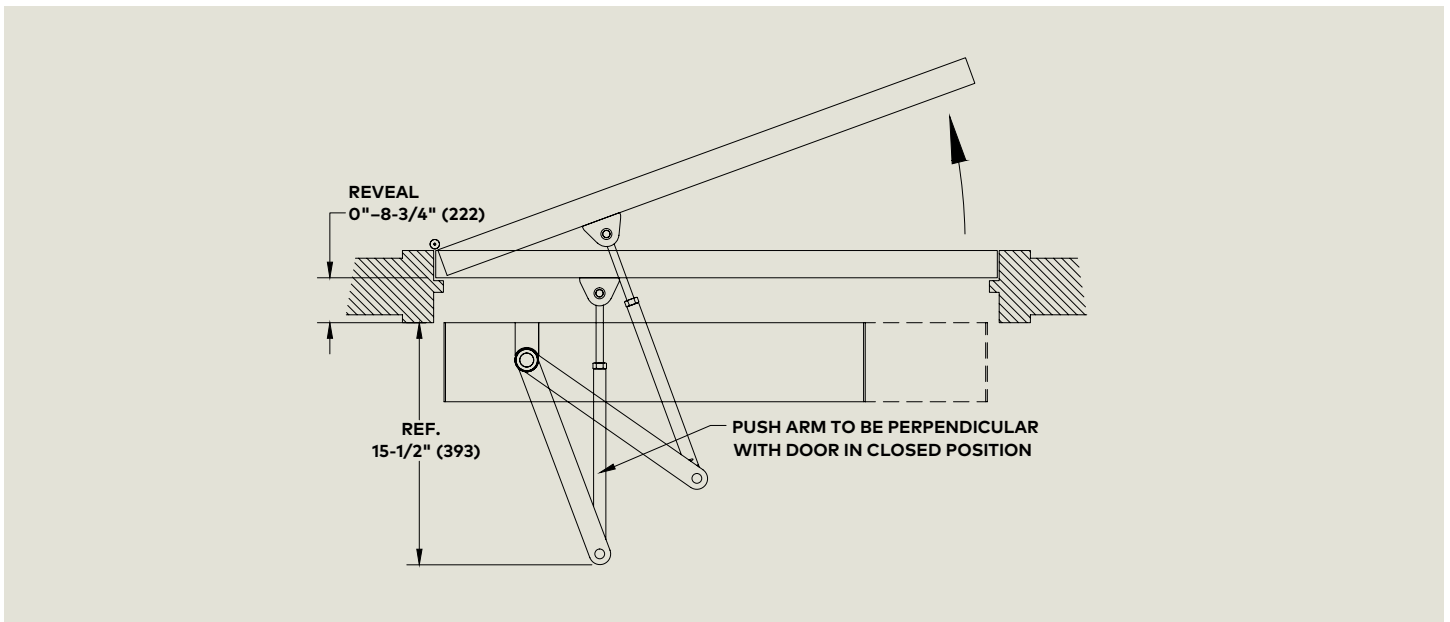
- Reduced dynamic door panel contact forces
- Reduced static door panel contact forces
- Time delays
- Low opening and closing speeds
- Force limitations
- Signage
- Presence sensors (optional)

ED100LE Fine Cover surface applied

Plan view

Single push operator

Left hand door shown (right hand opposite)

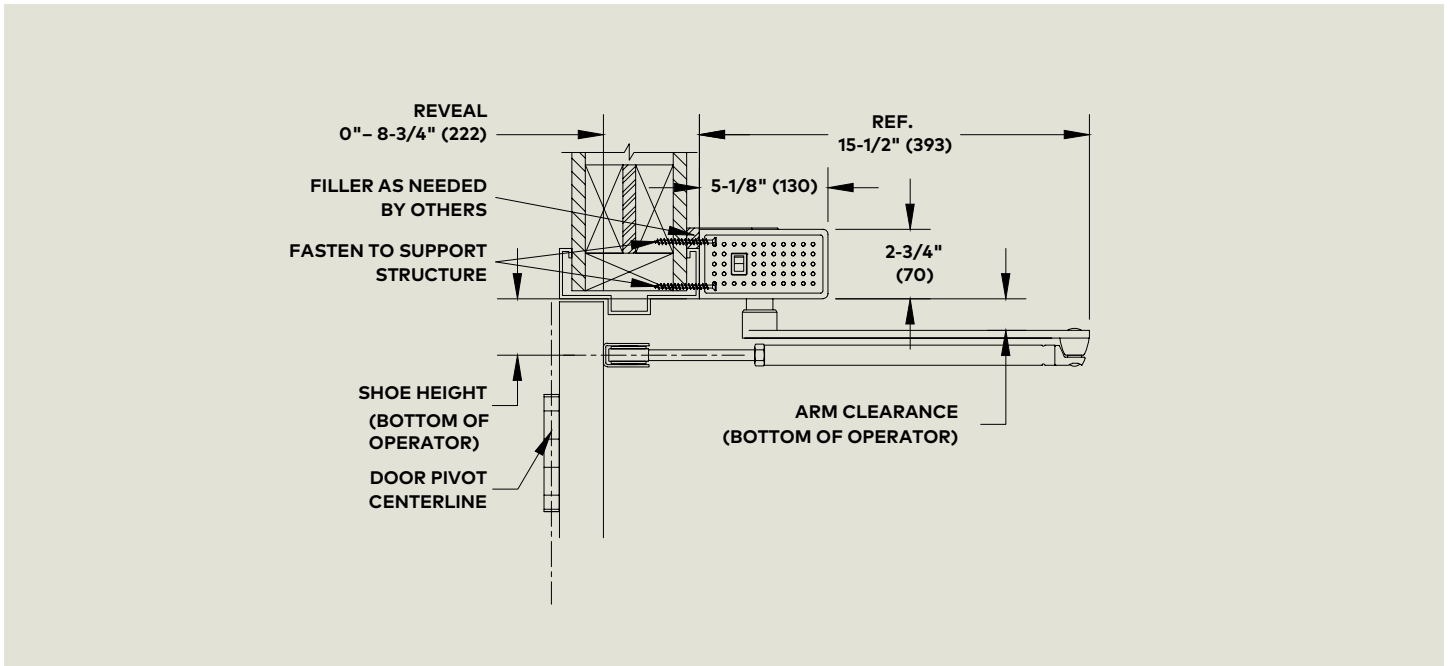


ED100LE Fine Cover surface applied

Section view

Push operator

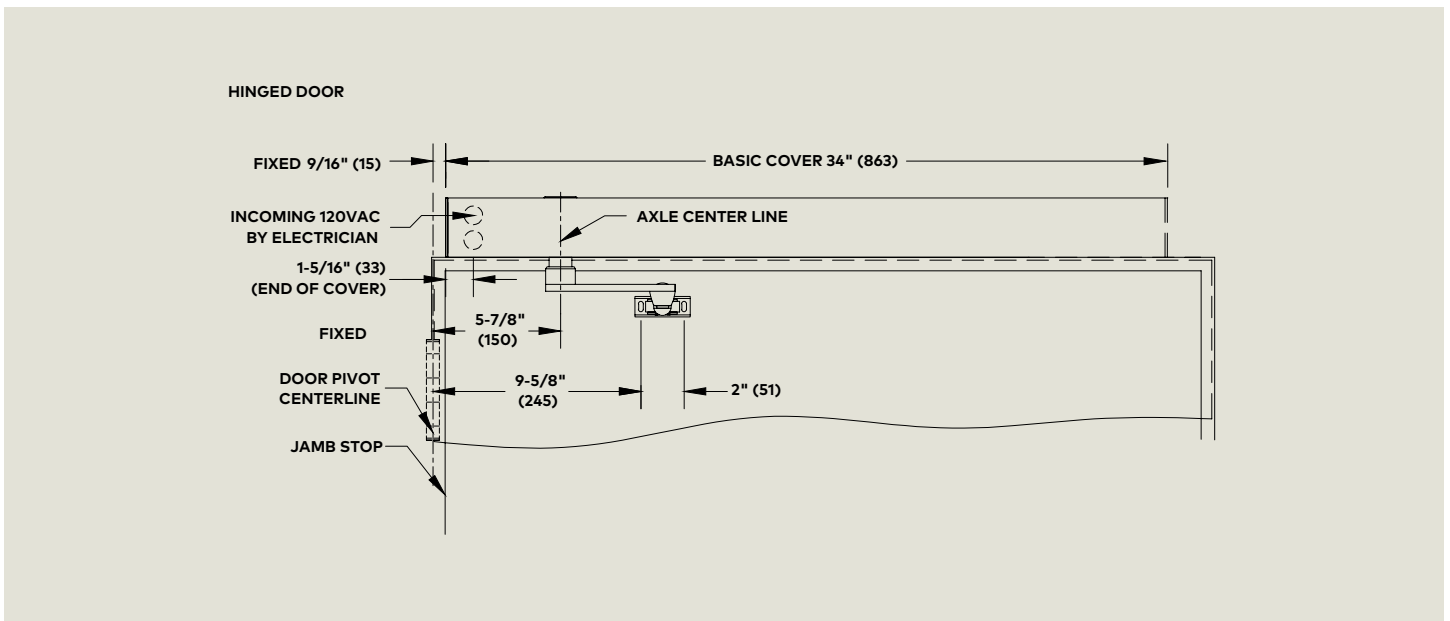
Left hand door shown (right hand opposite)



Elevation view

Single Push operator

Left hand door shown (right hand opposite)

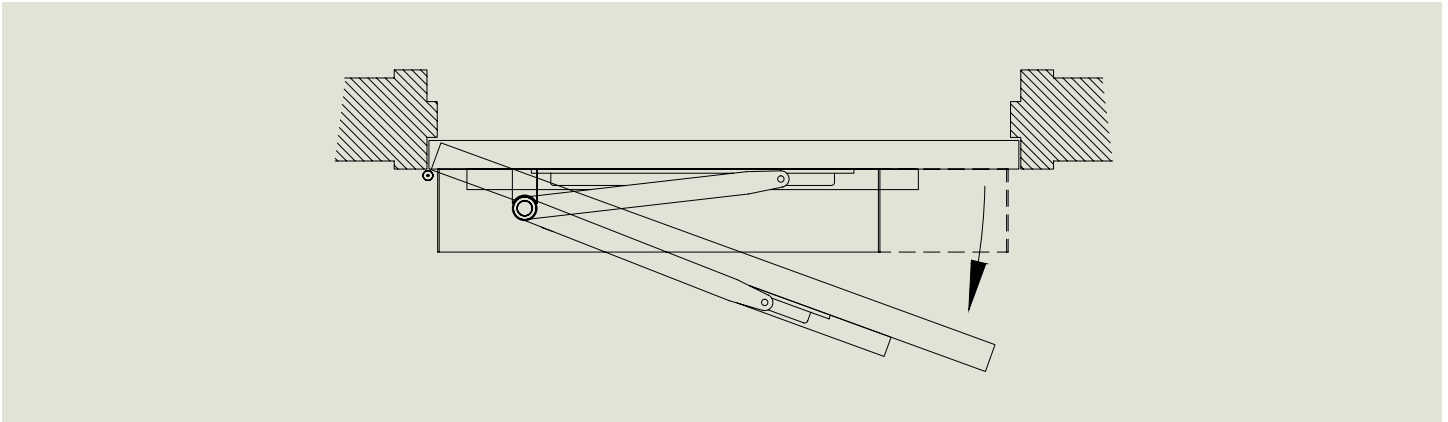


ED100LE Fine Cover surface applied

Plan view

Single pull operator

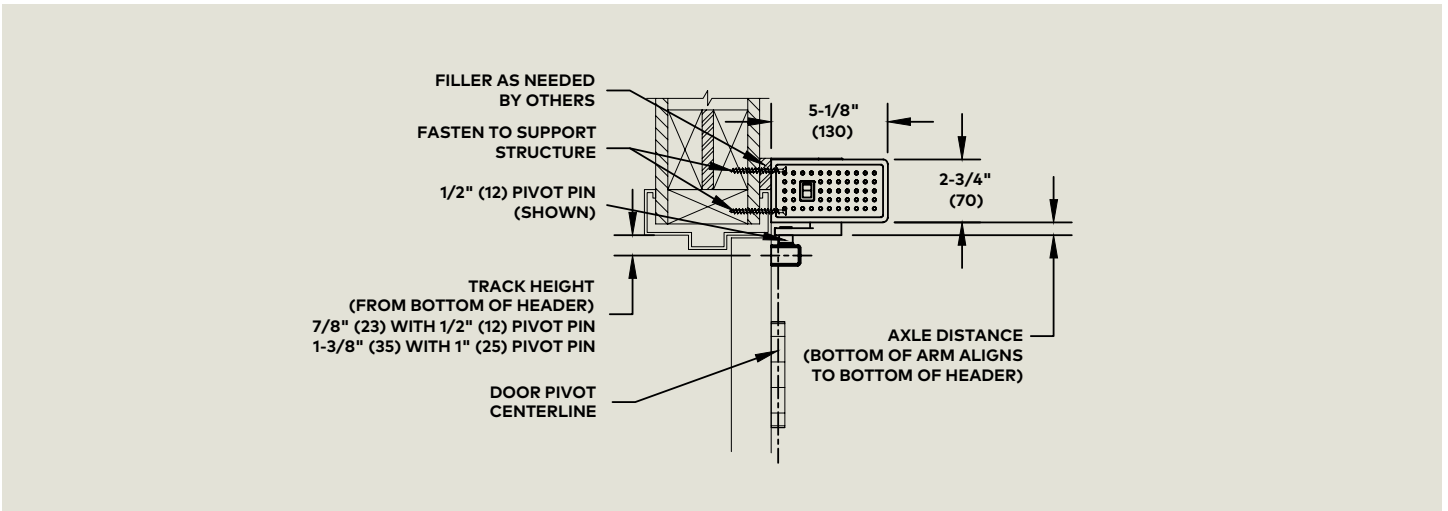
Right hand door shown (left hand opposite)



Section view

Pull operator

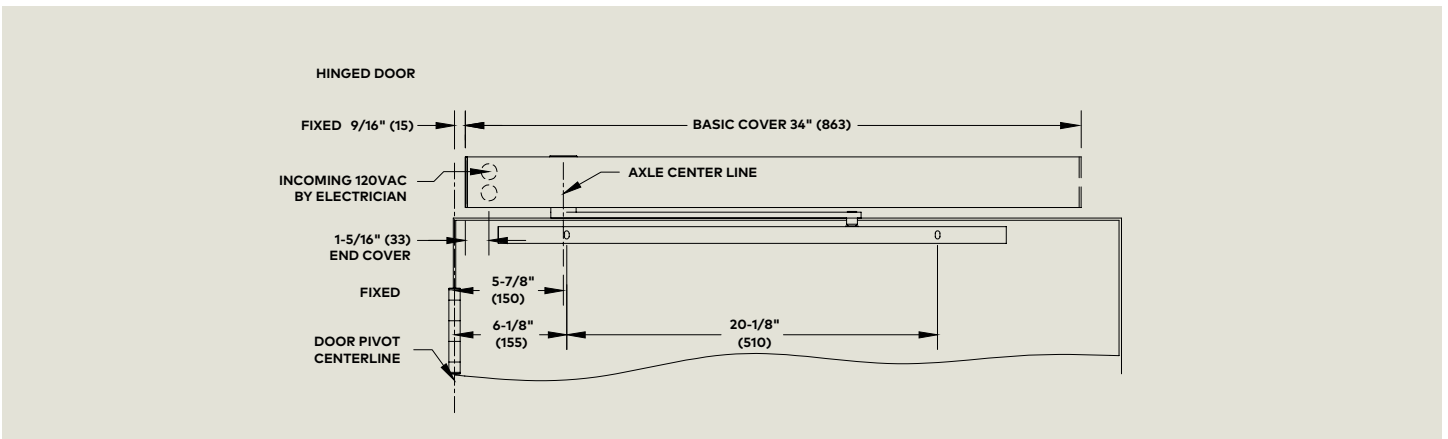
Right hand door shown (left hand opposite)e)



Elevation view

Single pull operator

Right hand door shown (left hand opposite)



Accessories

912 Series Wireless, Battery Powered, Touch Free Actuators



The 912 Series wireless, battery-powered, actuators utilize proven infrared motion detection technology to ensure consistent, dependable touch-free activation. Adjustable to comply with ANSI A156.19 knowing act applications.

The 912 Series is available in three models:

- 912-WBT (Double Gang)
- 912N-WBT (Narrow)
- 912GL-WBT (Surface Applied)

910TC Touch-free Switch for the activation of automatic doors



The 910 Series are available with three plate designs, touch-free, healthcare and stainless steel. The unique low-profile touchless actuator plate utilizing capacitive technology for the activation of automatic doors. The aesthetically pleasing design provides hands-free door operation when used in conjunction with a low energy swing door operator to help reduce the spread of germs and bacteria.

The 910 Series is available in three models:

- 910TC (Wave)
- 910TC-HC (ADA)
- 910TC-SS (Stainless Steel)

© dormakaba USA Inc. (2021). Information on this sheet is intended for general use only. dormakaba reserves the right to alter designs and specifications without notice or obligation.

dormakaba USA Inc.
6161 E. 75th St.
Indianapolis, IN 46250

1 800 392 5209

www.dormakaba.us

KAA1413 03-21