

**CONTRACTOR NOTE:**  
CONTRACTOR TO PROVIDE A 5 5/16" x 2" DEEP CUT OUT TO ACCEPT FLOOR MOUNTED PIVOT BEARING.

**GENERAL NOTES**

CONTRACTOR SHOULD CHECK & TAKE NOTE OF ALL DIMENSIONS AS C.D.C. (CRANE DOOR CO.) ASSUMES NO RESPONSIBILITY BEYOND MANUFACTURING IN ACCORDANCE WITH THE DIMENSIONS SHOWN ON SHOP DRAWINGS.

APPROVAL INDICATES THAT THIS SHOP DRAWING HAS BEEN CHECKED AND THAT YOU AUTHORIZE US TO FABRICATE MATERIALS AS SHOWN HERE-IN.

REVOLVING DOOR PERIMETER CAULKING (INCLUDING BASE SECTION TO FLOOR) AND CANOPY COVER CAULKING NOT BY C.D.C. ALL HOLES IN FLOOR NOT BY C.D.C.

**MATERIAL TO BE:**

MINIMUM .060 THICKNESS STAINLESS STEEL TYPE 304 (UNLESS OTHERWISE SPECIFIED)

**FINISH TO BE:**

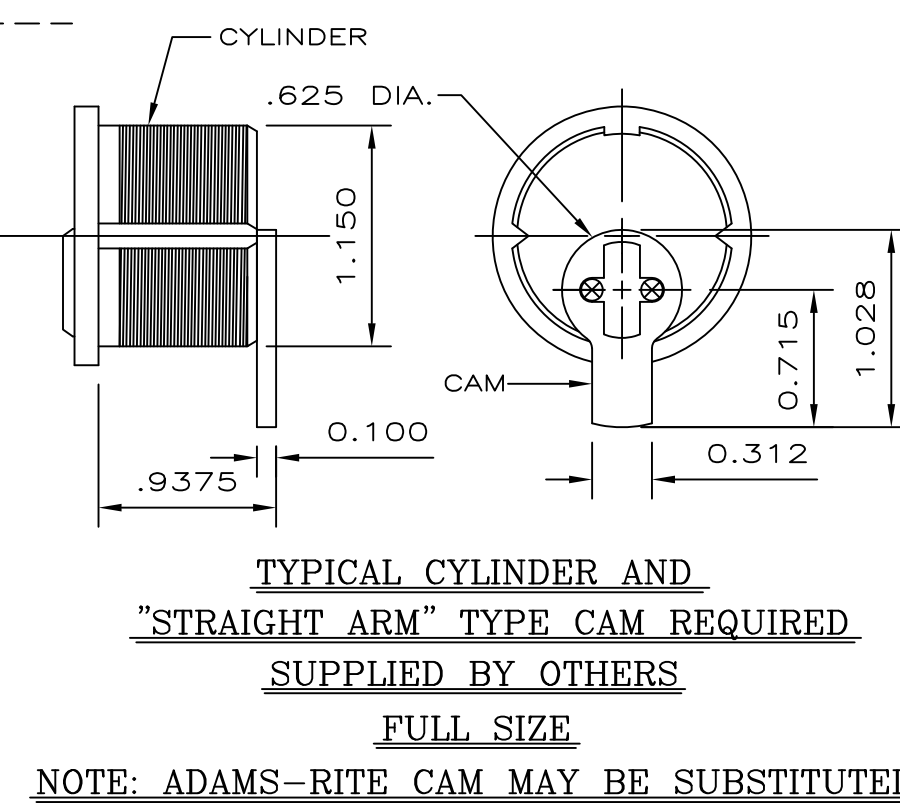
CRANE STANDARD #4 SATIN

**GLASS TO BE:** CLEAR

1/4" TEMPERED FLOAT FOR WINGS  
7/16" BENT LAMINATED FLOAT FOR ENCLOSURE GLASS TO MEET ANSI Z97.1 AND 16 CFR 1201. ALL TEMPERED GLASS TO HAVE SAFETY LOGOS. IF ADDITIONAL LOGOS ARE REQUIRED PLEASE SPECIFY.

**HARDWARE SCHEDULE**

- OVERHEAD MANUAL SPEED CONTROL UNIT.
  - FLOOR MOUNTED PIVOT BEARING ASSEMBLY.
  - FULVIEW II PANIC PROOF BOOK-FOLD MECHANISM IN COMPLIANCE WITH ALL APPLICABLE REGULATIONS.
  - LOCKS: SPECIAL REV. DOOR TYPE TWO (2) REQUIRED INSTALLED AT TOP RAILS OF TWO ADJACENT WINGS FOR INTERIOR LOCKING.
  - CYLINDERS: STANDARD SIZE MORTISE TYPE, TWO (2) REQUIRED PER REV. DOOR UNIT, TO BE SUPPLIED BY OTHERS TO C.D.C. FOR SHOP INSTALLATION.
  - PUSH BARS: 1" DIA. STAINLESS STEEL, FINISH TO MATCH DOOR.
  - CEILING LIGHTS: TWO (2) SPECIAL FLUORESCENT REV. DOOR TYPE, COMPLETE WITH LENS & SNAP-IN TRIM RING. FC879 CIRCLINE LAMP & 110 V.A.C. WIRING NOT BY C.D.C.
- INSTALLER NOTE:**  
BOOK-FOLD TENSION IS NOT PRESET; IT MUST BE ADJUSTED TO MEET BUILDING CONDITIONS.



NOTE: ADAMS-RITE CAM MAY BE SUBSTITUTED

NOTE: PRIOR TO FABRICATION, SHOP DRAWINGS AND FINISH SAMPLES MUST BE FULLY APPROVED AND RETURNED TO C.D.C.

**CRANE DORMA**  
REVOLVING DOORS™

PHONE: 847-295-2700 FAX: 847-295-5288

SCALE: AS SHOWN	JOB NAME: XXX
DRAWN BY: JG	REVISIONS:
FAB. CHECK:	LOCATION: PLEASE ADVISE
CHECKED BY:	ARCHITECT: PLEASE ADVISE
ORD. NO.:	CONTRACTOR: PLEASE ADVISE
DATE: 2009	SUB. CONTRACTOR: PLEASE ADVISE
	MFG. REPRESENTATIVE: PLEASE ADVISE
	HOW. CHECK: NOTES
	DATE: 2009

SHEET 1 OF 1 DRAWING NO.: SS 3000 K