

DORMA Automatics, Inc
 924 Sherwood Drive
 Lake Bluff, Illinois 60044
 Toll Free: (877)-367-6211
 Fax: (877)423-7999

THE STANDARD PACKAGE CONSISTS OF:

THE AUTOMATIC DOOR OPERATOR & HOUSING, FRAMES, DOORS, SIDELITES WITH VERTICAL AND HORIZONTAL WEATHERSTRIP, EMERGENCY BREAKAWAY, 5-POINT LOCKING, CONCEALED CONTROL PANEL (OFF, AUTO, HOLD-OPEN, REDUCED OPENING, EXIT ONLY ACTIVATION), HEAVY DUTY INTERLOCK CLIPS, ANTI-DERAILER HARDWARE

STANDARD FINISHES: CLEAR BHMA 204
 DARK BRONZE BHMA 313

SPECIAL FINISHES ARE AVAILABLE

DRAWING DIMENSIONS ARE IN ENGLISH AND METRIC UNITS. METRICS ARE SHOWN IN MILLIMETERS, AS FOLLOWS: 1" (25.4)

FOR MAXIMUM CURRENT DRAW, SEE PRODUCT SPECIFICATION OR INSTALLATION INSTRUCTIONS.

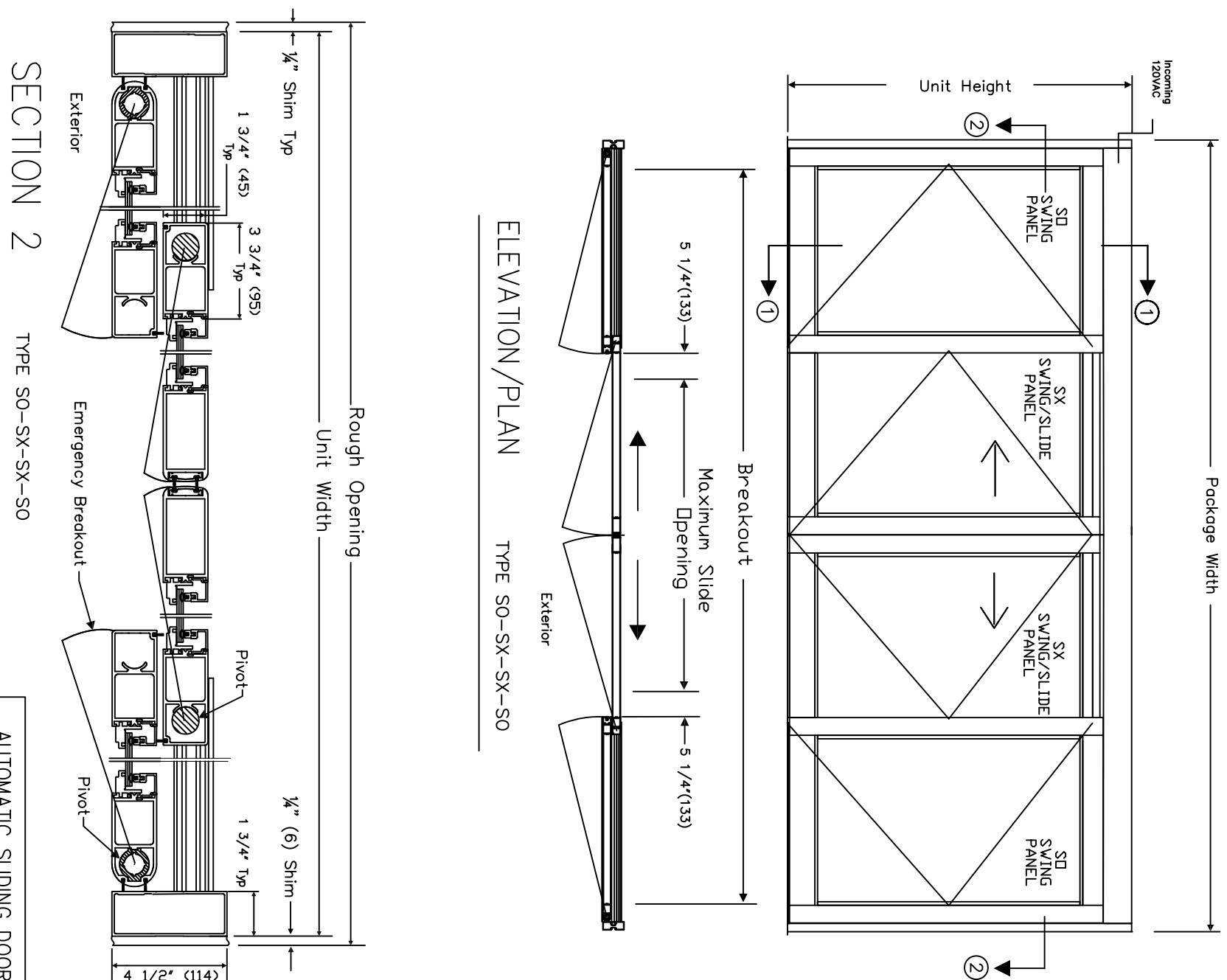
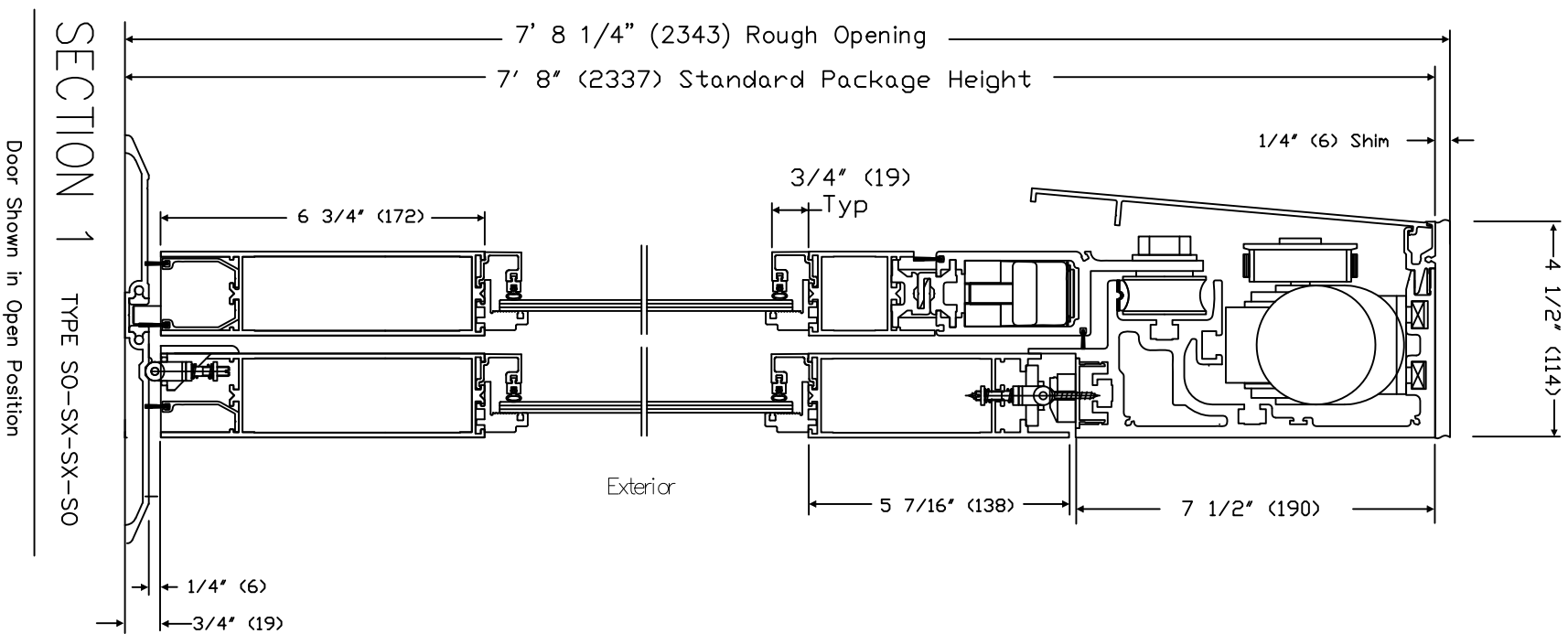
REFER TO APPLICABLE LOCAL, STATE OR NATIONAL BUILDING CODE FOR MINIMUM DOOR HEIGHTS AND WIDTHS FOR ALLOWABLE EGRESS REQUIREMENTS. SEE REFERENCE TABLE BELOW.

MAXIMUM UNIT SIZE	
WIDTH	HEIGHT
16'-0" (4877)	8'-8" (2641)

STANDARD PACKAGE SIZES

STANDARD UNIT SIZE	MAXIMUM SLIDE OPENING	ROUGH OPENING WIDTH	ROUGH OPENING HEIGHT	BREAKOUT
8'-0" (2438)	7'-8" (2337)	32'-1/4" (819)	7'-8 1/4" (2343)	81" (2057)
9'-0" (2743)	7'-8" (2337)	38'-1/4" (972)	9'-1/2" (2756)	93" (2362)
10'-0" (3048)	7'-8" (2337)	44'-1/4" (1124)	10'-1/2" (3061)	105" (2667)
12'-0" (3658)	7'-8" (2337)	56'-1/4" (1429)	12'-1/2" (3670)	129" (3277)
14'-0" (4267)	7'-8" (2337)	68'-1/4" (1734)	14'-1/2" (4280)	153" (3886)
16'-0" (4877)	7'-8" (2337)	80'-1/4" (2038)	16'-1/2" (4890)	177" (4496)

* Note: Dimensions in () are mm.



AUTOMATIC SLIDING DOOR
 ESA-300 SERIES
 TYPE SO-SX-SX-SO
 HURRICANE RATED
 3/06

