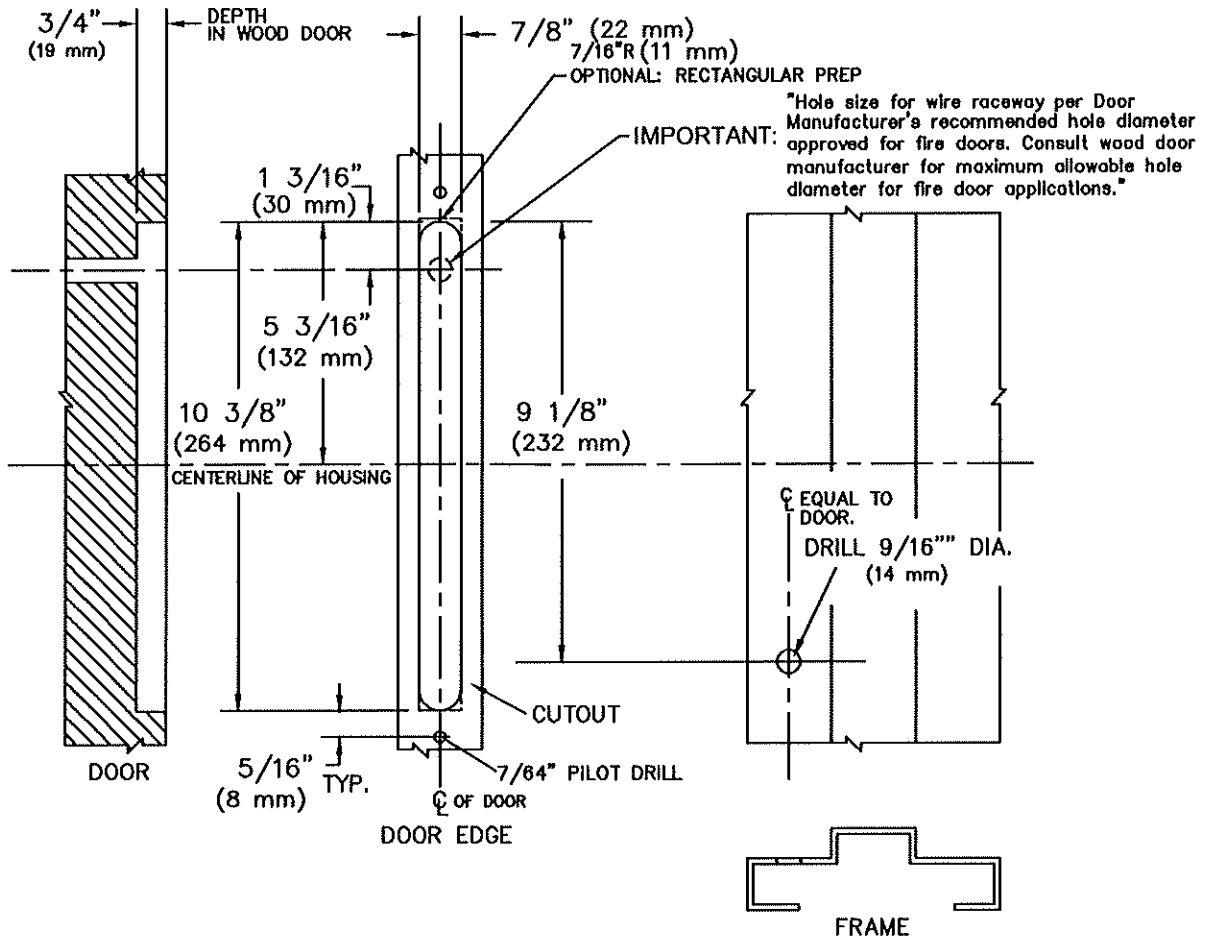
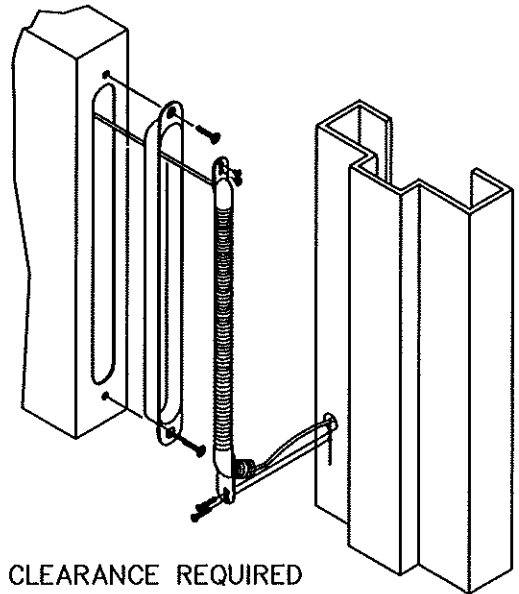



DOOR EDGE MOUNTING PREP



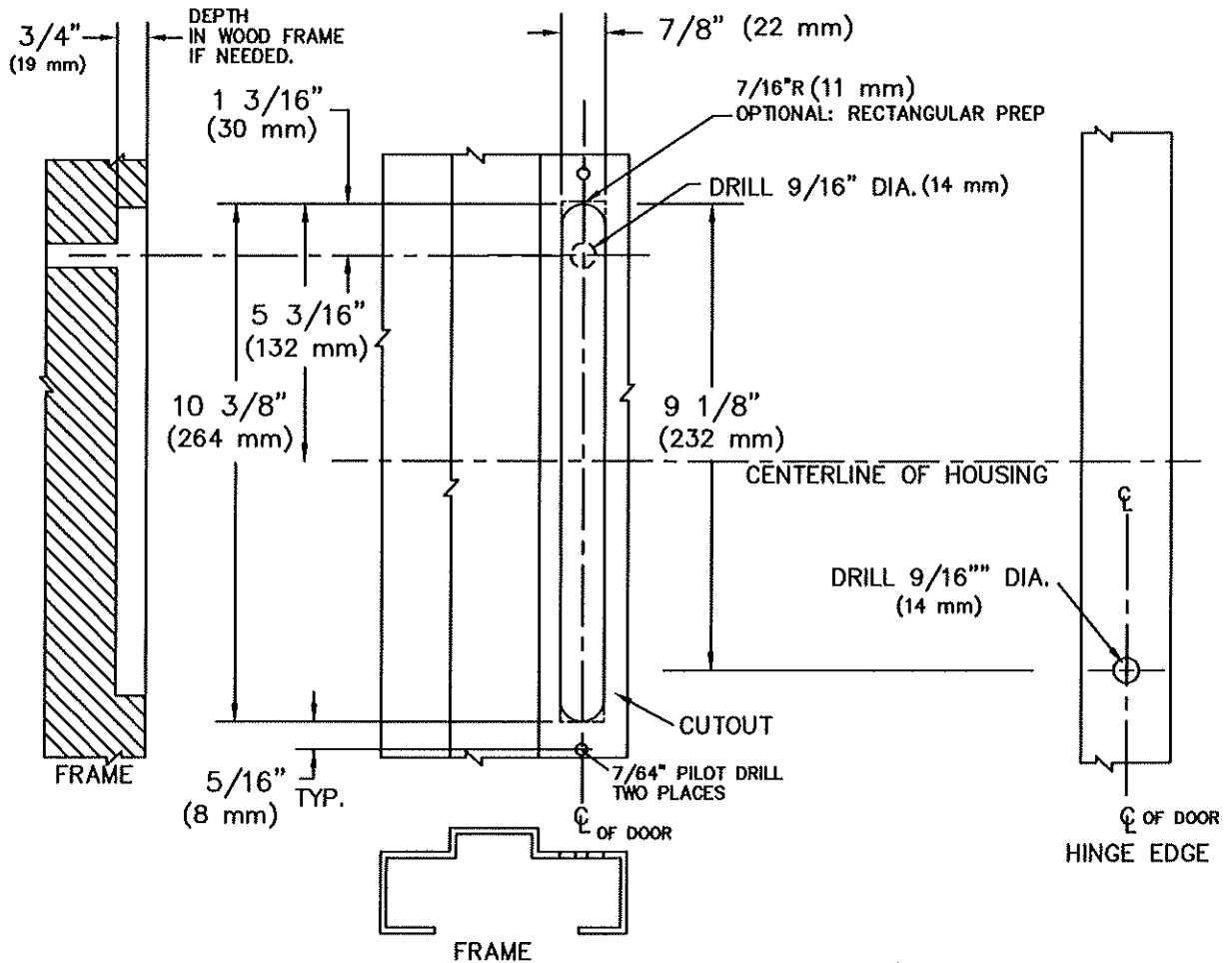
- STEP 1 Select location suitable for passing wire through door.
- STEP 2 Prepare door and frame as shown on template #T-4009.
- STEP 3 Fasten housing to door or frame. (Drill 2 pilot holes— 7/64" drill.)
- STEP 4 Pass wire from frame through flexible conduit and fasten conduit bracket to door or frame. (Drill 2 pilot holes— 7/64" drill.)
- STEP 5 Feed wire through door to hardware and fasten conduit bracket to housing with machine screws provided.



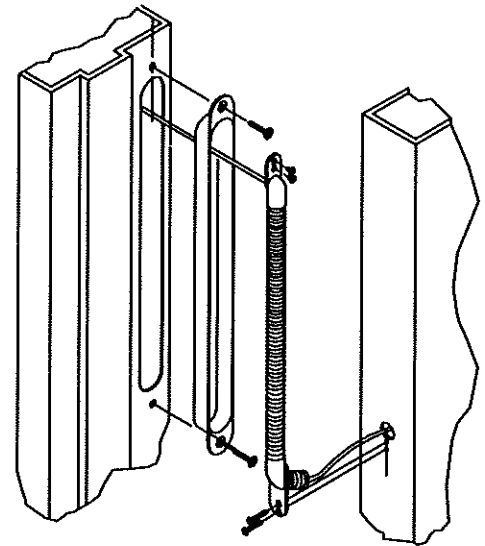
NOTE: 1/16" (1 mm) CLEARANCE REQUIRED

REV. No. 8	REVISION: ADD IMPORTANT NOTE	DATE: 8-5-09
	ES105 INSTALLATION SHEET DOOR EDGE MOUNTING PREP	TEMPLATE NUMBER T-4009® SHEET 1 OF 2


FRAME EDGE MOUNTING PREP



- STEP 1 Select location suitable for passing wire through door.
- STEP 2 Prepare door and frame as shown on template #T-4009.
- STEP 3 Fasten housing to door or frame. (Drill 2 pilot holes- 7/64" drill.)
- STEP 4 Pass wire from frame through flexible conduit and fasten conduit bracket to door or frame. (Drill 2 pilot holes- 7/64" drill.)
- STEP 5 Feed wire through door to hardware and fasten conduit bracket to housing with machine screws provided.



NOTE: 1/16" (1 mm) CLEARANCE REQUIRED

REV. No. 8	REVISION:	DATE: 8-5-09
	ES105 INSTALLATION SHEET FRAME EDGE MOUNTING PREP	TEMPLATE NUMBER T-4009® SHEET 2 OF 2