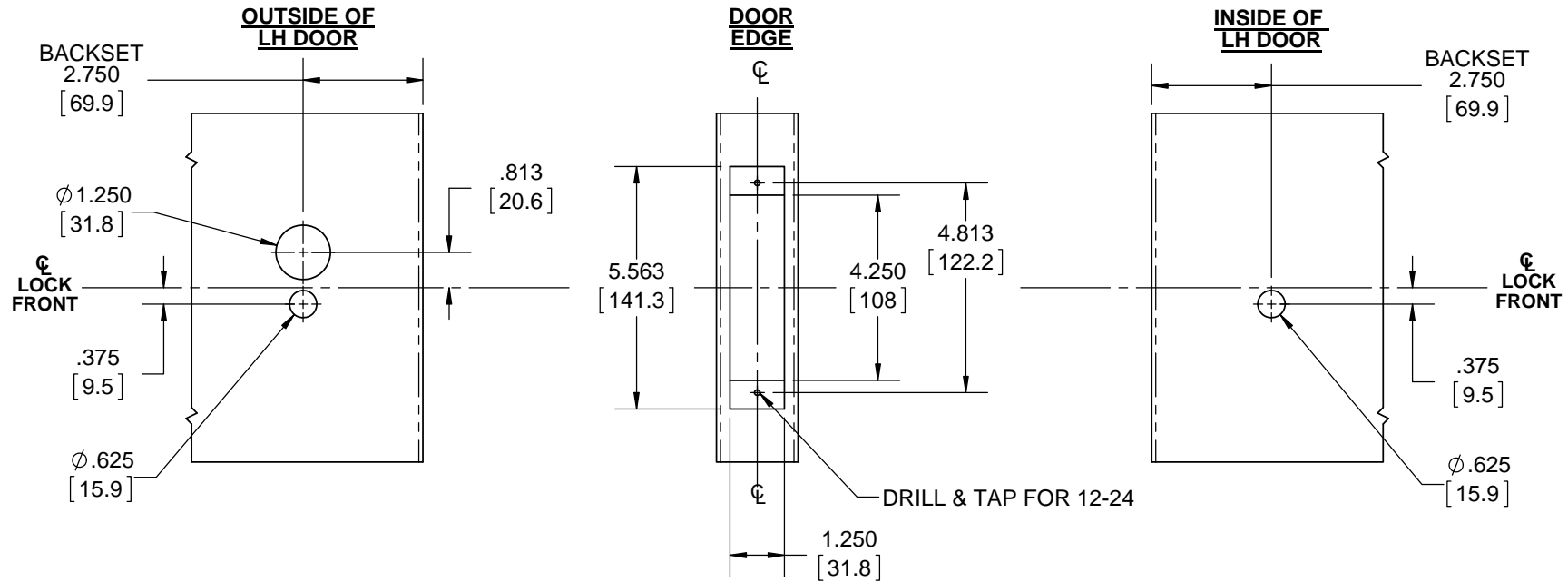


- NOTES:
1. DIMENSIONS ARE IN INCHES/[MM].
  2. DO NOT SCALE DRAWING.



NOTES:

1. DIMENSIONS ARE IN INCHES/[MM].
2. DO NOT SCALE DRAWING.
3. FOR #12-24 SCREW, USE #16 (.177") DRILL