

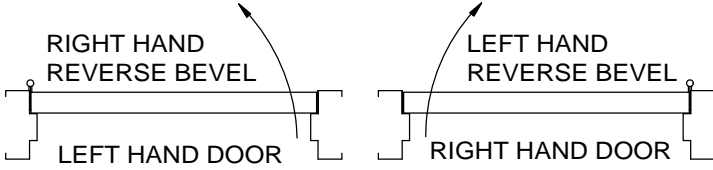
8916/8956 AF8MJ

REGULAR MOUNT x MORTISED JAMB BRACKET AND ACCESSORY PLATE BP89



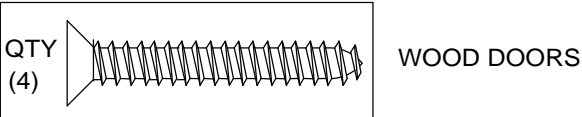
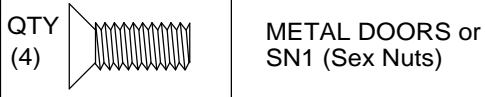
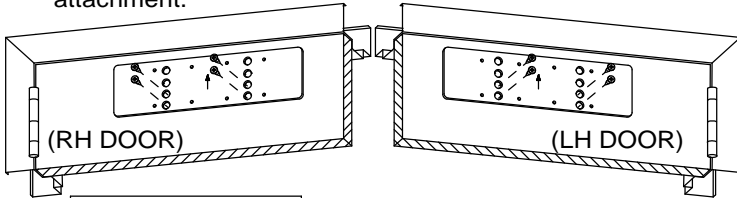
1 (REFERENCE UNIT CARTON FOR ACCESSORIES AND OPTIONS SUPPLIED)

Determine hand of door. Prepare door and frame according to template.

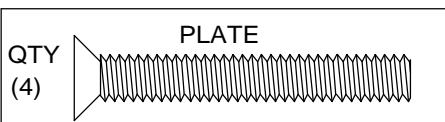
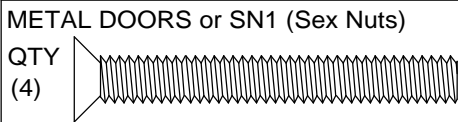
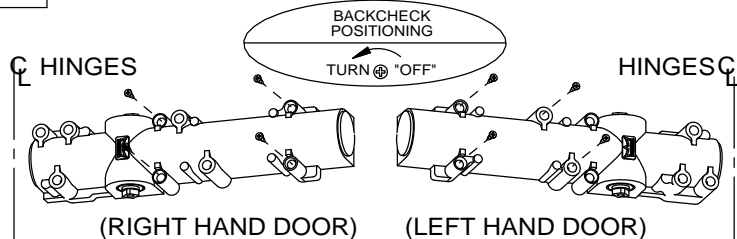


CAUTION: SEX NUTS ARE REQUIRED FOR ATTACHMENT OF COMPONENTS TO UNREINFORCED DOORS AND TO WOOD OR PLASTIC FACED COMPOSITE TYPE FIRE DOORS, UNLESS AN ALTERNATIVE METHOD IS IDENTIFIED IN THE INDIVIDUAL DOOR MANUFACTURER'S LISTINGS.

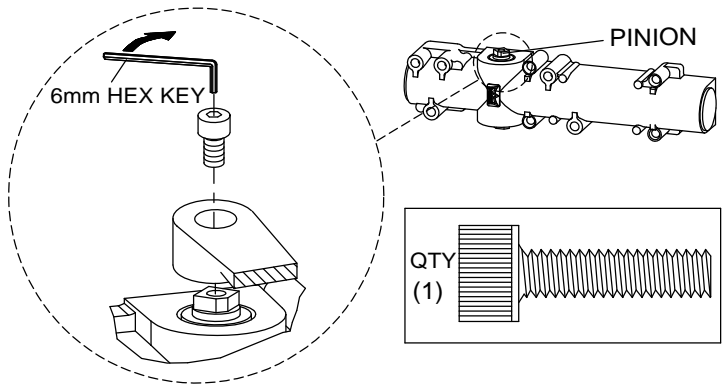
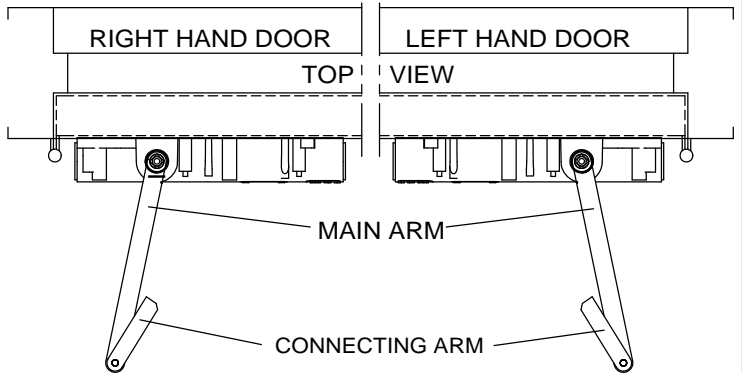
2 BP89 Plate applications only. Attach plate to door as shown. Arrow on plate to point toward arm attachment.



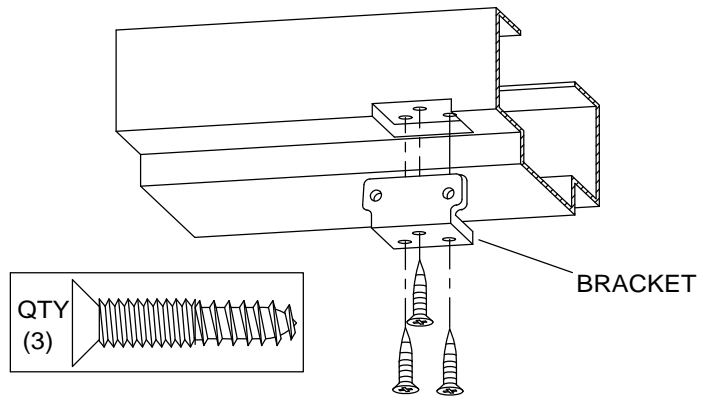
3 Attach closer to door or plate.



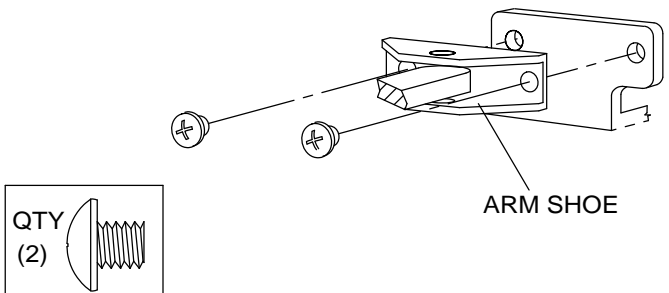
4 Attach main arm to pinion of closer in position shown in illustration. Tighten pinion screw securely.



5 Open door, attach bracket to frame.

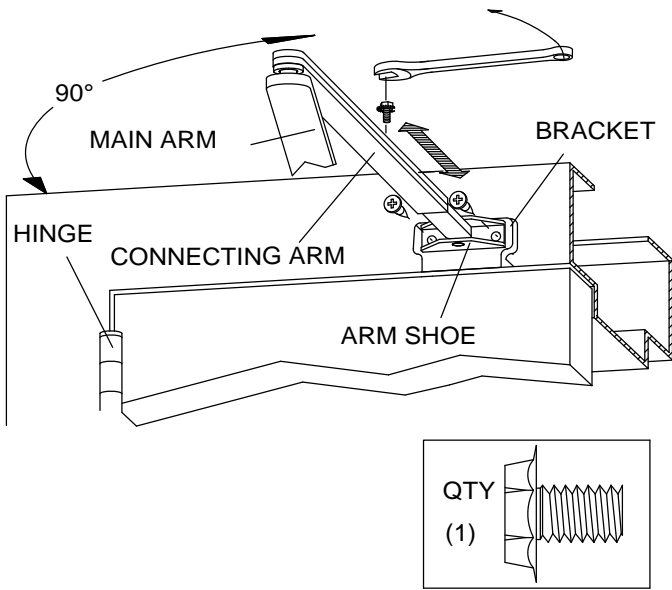


6 Install arm shoe to bracket.



INSPK NO. 08279900 Rev.09/09

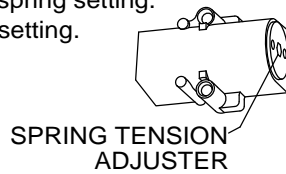
7 Open door slightly. Slide bar into connecting arm and close door. Adjust connecting arm length so that connecting arm is 90° to frame. Install connecting arm screw and tighten securely with 1/2" wrench.



8 Adjust spring tension, if required, using a 1/4" wrench.
NOTE: 8916 supplied with size 4 spring setting.
8956 supplied with size 6 setting.



CRITICAL



8916 ONLY
BARRIER-FREE OPENINGS - Take an opening force reading from the pull on the door. If required, adjust the spring tension to meet the barrier-free requirement. Maximum number of turns counter clockwise=8. Maximum number of turns clockwise =14. Depending on opening conditions, a door adjusted to meet barrier-free forces may not have sufficient power to reliably close and latch the door.

NON-BARRIER-FREE OPENINGS - Adjust according to chart.

CLOSER TYPE	DOOR WIDTH		FULL TURNS OF SPRING ADJUSTER	SPRING SIZE
	EXTERIOR	INTERIOR		
8916	-	2'-6"	-20	2
	2'-6"	3'-0"	-12	3
	3'-0"	3'-6"	0	4
	3'-6"	4'-0"	+4	5
	4'-0"	-	+12	6
8956	3'-6"	4'-0"	-6	5
	4'-0"	-	0	6

ULC LABELED UNITS ONLY

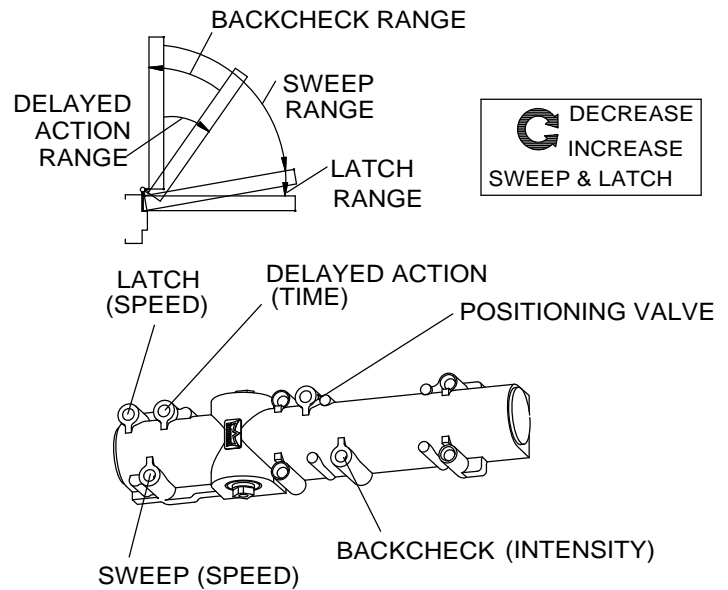
ADJUST SPRING TENSION ACCORDING TO THE FOLLOWING CHART.

CLOSER TYPE	MAX. DOOR WEIGHT	SPRING SIZE	FULL TURNS OF SPRING ADJUSTING NUT
8916	100	2	-20
	125	3	-12
	150	4	0
	200	5	+4
	250	6	+12
8956	200	5	-6
	250	6	0

9 Adjust sweep, latch and backcheck valves. Closing time from 90° to 15° (sweep range) is generally adjusted to take a minimum of 3 seconds. Closing time from 15° to fully closed (latch range) should take a minimum of 1.5 seconds. Backcheck intensity should be adjusted to ensure that the door is under control during the opening cycle protecting the door and objects behind the door. Closing the backcheck positioning valve fully clockwise advances the backcheck range approximately 15°. Backcheck position valve is shipped in the "on" position (to turn off, rotate valve counterclockwise).

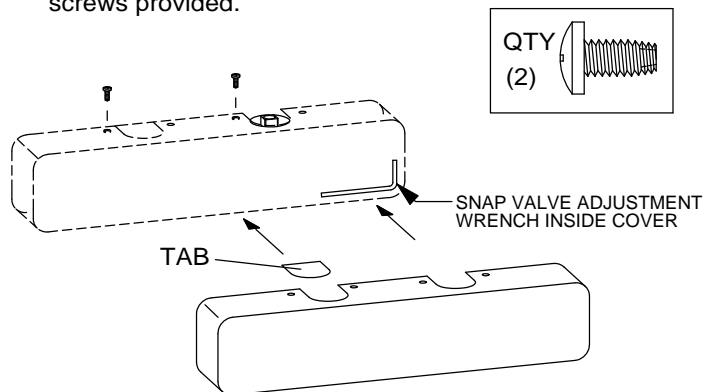
Optional delayed action offers additional closing speed control when extra time is required to pass through the door. All valve adjustments are made with a 3/32" hex key.

CAUTION: DO NOT REMOVE VALVES.



INCREASE DECREASE BACKCHECK OR DELAYED ACTION
NOTE: DELAYED ACTION IS AN OPTIONAL FEATURE.

10 Place tab in cover slot opposite main arm. Place cover over closer and fasten securely with screws provided.



NOTE: LEFT HAND INSTALLATION SHOWN. RIGHT HAND IS A MIRROR IMAGE.