



## 6500 Offset Round Entrance Pull Handles

dormakaba's offset round entrance pull handles epitomize the high quality ambitions of the dormakaba brand – designed for excellence down to the very last detail and exuding fine craftsmanship. They offer genuine quality, characterised by clearly defined features – irrespective of shape or size.

Created in solid, premium 316 Marine Grade Stainless Steel offering superior corrosion resistance for internal and external use in high traffic buildings. The offset round section allows comfortable ease of use.

The 6500 offset round entry pull handles are an ideal choice for residential and commercial applications and are suitable for use on glass, timber and aluminium doors.

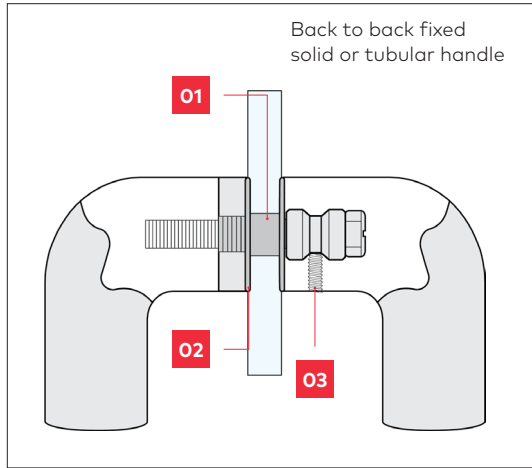
### Features at a glance:

- 316 Marine Grade Stainless Steel
- Designed with your project's needs in mind
- High durability with concealed fixings
- Standard finishes: SSS and PSS
- Powdercoat and custom finishes available on request

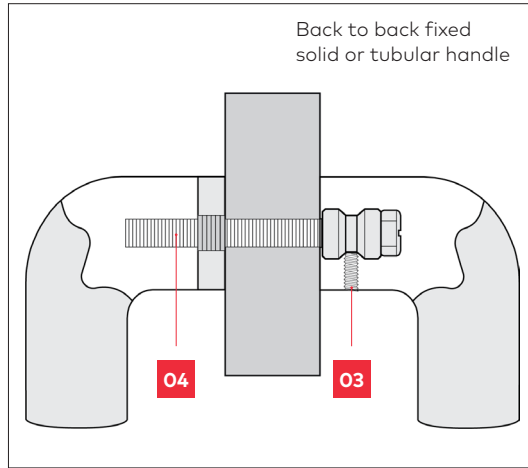
Please refer to ordering details for a range of optional accessories to suit:

- Back to back extended fixing for timber doors
- Back to back fixing for glass doors
- Disc fixing for timber doors
- Disc fixing for glass doors

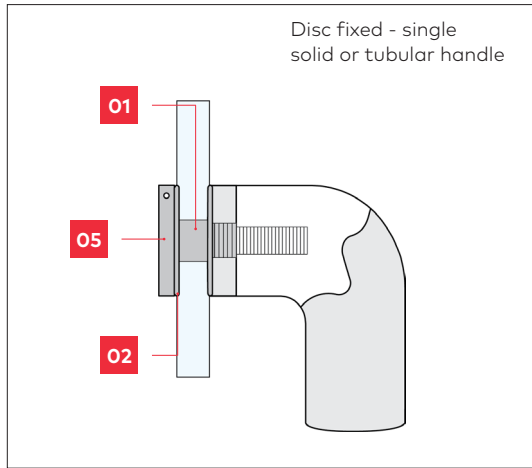
# Fixing options



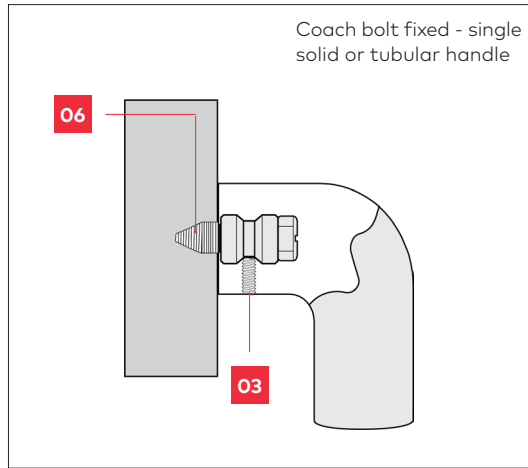
**GD FIX** - glass doors



**TM FIX** - timber or metal doors



**D FIX** - glass, metal or timber doors



**C FIX** - timber doors only

**Note**  
Nylon spacers and washers are included with handle for glass door fixing option.

**Legend**  
**01** Spacer      **03** Grub Screw      **05** Disc  
**02** Washer      **04** Bolt      **06** Coach Bolt

## TIMBER DOOR FIXING

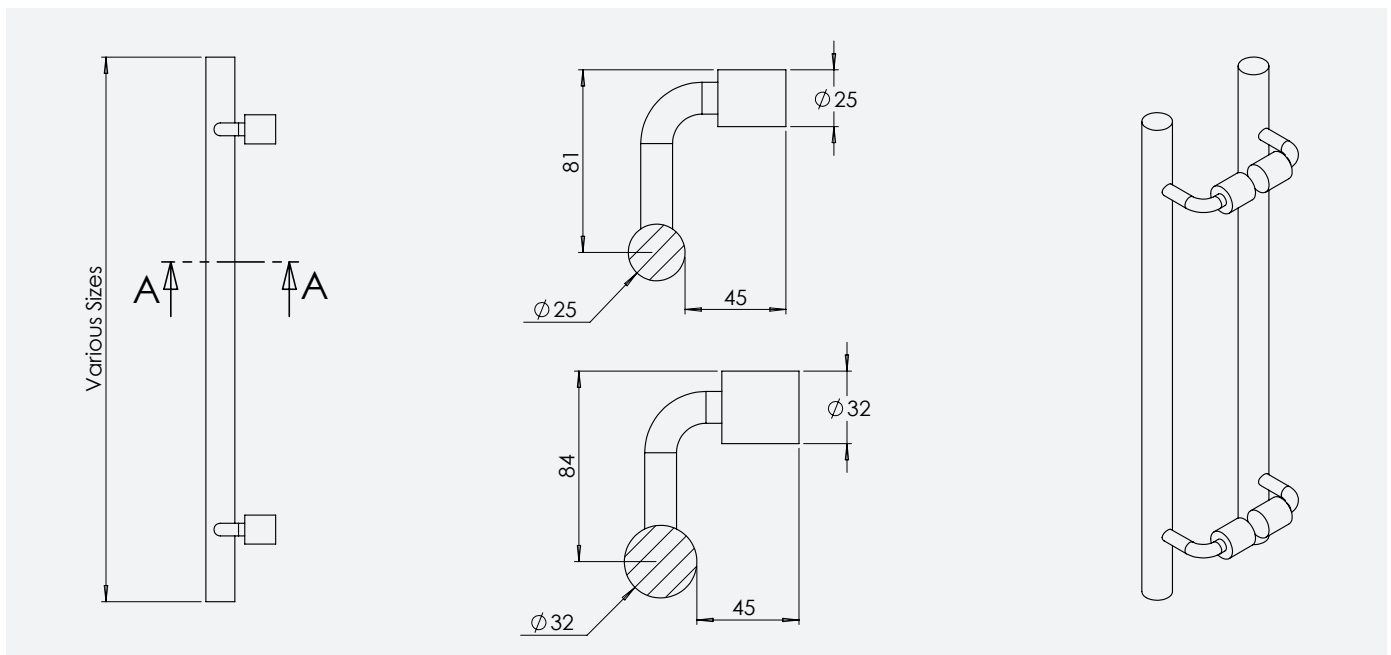
Material Size	Bolt Size
14mm Ø	5mm
16mm Ø	5mm
19mm Ø	8mm
25mm Ø	8mm
32mm Ø	8mm

## METAL DOOR FIXING

Material Size	Bolt Size
14mm Ø	5mm
16mm Ø	5mm
19mm Ø	8mm
25mm Ø	8mm
32mm Ø	8mm

## GLASS DOOR FIXING

Material Size	Bolt Size
14mm Ø	12mm Ø
16mm Ø	12mm Ø
19mm Ø	12mm Ø
25mm Ø	12mm Ø
32mm Ø	12mm Ø



# Ordering details

Item	Article Number	Description	Diameter	Projection	Offset	Length	Fixing Centres
<b>BACK TO BACK FIXING</b>							
<b>Note: 6500 Series in 25mm diameter requires a centre standoff for lengths 1900mm and over</b>							
B6500/A/25/PSS	9457509744102	B6500/A/25 OA 2400 CTC 2240 PSS	25mm	70mm	85mm	2400mm	2240mm
B6500/A/25/SSS	9457509744101	B6500/A/25 OA 2400 CTC 2240 SSS	25mm	70mm	85mm	2400mm	2240mm
B6500/A/32/PSS	9457509745102	B6500/A/32 OA 2400 CTC 2240 PSS	32mm	83mm	90mm	2400mm	2240mm
B6500/A/32/SSS	9457509745101	B6500/A/32 OA 2400 CTC 2240 SSS	32mm	83mm	90mm	2400mm	2240mm
B6500/B/25/PSS	9457509624102	B6500/B/25 OA 2300 CTC 2140 PSS	25mm	70mm	85mm	2300mm	2140mm
B6500/B/25/SSS	9457509624101	B6500/B/25 OA 2300 CTC 2140 SSS	25mm	70mm	85mm	2300mm	2140mm
B6500/B/32/PSS	9457509625102	B6500/B/32 OA 2300 CTC 2140 PSS	32mm	83mm	90mm	2300mm	2140mm
B6500/B/32/SSS	9457509625101	B6500/B/32 OA 2300 CTC 2140 SSS	32mm	83mm	90mm	2300mm	2140mm
B6500/C/25/PSS	9457509504102	B6500/C/25 OA 2200 CTC 2040 PSS	25mm	70mm	85mm	2200mm	2040mm
B6500/C/25/SSS	9457509504101	B6500/C/25 OA 2200 CTC 2040 SSS	25mm	70mm	85mm	2200mm	2040mm
B6500/C/32/PSS	9457509505102	B6500/C/32 OA 2200 CTC 2040 PSS	32mm	83mm	90mm	2200mm	2040mm
B6500/C/32/SSS	9457509505101	B6500/C/32 OA 2200 CTC 2040 SSS	32mm	83mm	90mm	2200mm	2040mm
B6500/D/25/PSS	9457509324102	B6500/D/25 OA 2100 CTC 1940 PSS	25mm	70mm	85mm	2100mm	1940mm
B6500/D/25/SSS	9457509324101	B6500/D/25 OA 2100 CTC 1940 SSS	25mm	70mm	85mm	2100mm	1940mm
B6500/D/32/PSS	9457509325102	B6500/D/32 OA 2100 CTC 1940 PSS	32mm	83mm	90mm	2100mm	1940mm
B6500/D/32/SSS	9457509325101	B6500/D/32 OA 2100 CTC 1940 SSS	32mm	83mm	90mm	2100mm	1940mm
B6500/E/25/PSS	9457509144102	B6500/E/25 OA 2000 CTC 1840 PSS	25mm	70mm	85mm	2000mm	1840mm
B6500/E/25/SSS	9457509144101	B6500/E/25 OA 2000 CTC 1840 SSS	25mm	70mm	85mm	2000mm	1840mm
B6500/E/32/PSS	9457509145102	B6500/E/32 OA 2000 CTC 1840 PSS	32mm	83mm	90mm	2000mm	1840mm
B6500/E/32/SSS	9457509145101	B6500/E/32 OA 2000 CTC 1840 SSS	32mm	83mm	90mm	2000mm	1840mm
B6500/F/25/PSS	9457508994102	B6500/F/25 OA 1900 CTC 1740 PSS	25mm	70mm	85mm	1900mm	1740mm
B6500/F/25/SSS	9457508994101	B6500/F/25 OA 1900 CTC 1740 SSS	25mm	70mm	85mm	1900mm	1740mm
B6500/F/32/PSS	9457508995102	B6500/F/32 OA 1900 CTC 1740 PSS	32mm	83mm	90mm	1900mm	1740mm
B6500/F/32/SSS	9457508995101	B6500/F/32 OA 1900 CTC 1740 SSS	32mm	83mm	90mm	1900mm	1740mm
B6500/G/25/PSS	9457508814102	B6500/G/25 OA 1800 CTC 1640 PSS	25mm	70mm	85mm	1800mm	1640mm
B6500/G/25/SSS	9457508814101	B6500/G/25 OA 1800 CTC 1640 SSS	25mm	70mm	85mm	1800mm	1640mm
B6500/G/32/PSS	9457508815102	B6500/G/32 OA 1800 CTC 1640 PSS	32mm	83mm	90mm	1800mm	1640mm
B6500/G/32/SSS	9457508815101	B6500/G/32 OA 1800 CTC 1640 SSS	32mm	83mm	90mm	1800mm	1640mm
B6500/H/25/PSS	9457508604102	B6500/H/25 OA 1700 CTC 1540 PSS	25mm	70mm	85mm	1700mm	1540mm
B6500/H/25/SSS	9457508604101	B6500/H/25 OA 1700 CTC 1540 SSS	25mm	70mm	85mm	1700mm	1540mm
B6500/H/32/PSS	9457508605102	B6500/H/32 OA 1700 CTC 1540 PSS	32mm	83mm	90mm	1700mm	1540mm
B6500/H/32/SSS	9457508605101	B6500/H/32 OA 1700 CTC 1540 SSS	32mm	83mm	90mm	1700mm	1540mm
B6500/I/25/PSS	9457508274102	B6500/I/25 OA 1600 CTC 1440 PSS	25mm	70mm	85mm	1660mm	1440mm
B6500/I/25/SSS	9457508274101	B6500/I/25 OA 1600 CTC 1440 SSS	25mm	70mm	85mm	1660mm	1440mm
B6500/I/32/PSS	9457508275102	B6500/I/32 OA 1600 CTC 1440 PSS	32mm	83mm	90mm	1660mm	1440mm
B6500/I/32/SSS	9457508275101	B6500/I/32 OA 1600 CTC 1440 SSS	32mm	83mm	90mm	1660mm	1440mm
B6500/J/25/PSS	9457507944102	B6500/J/25 OA 1500 CTC 1340 PSS	25mm	70mm	85mm	1500mm	1340mm
B6500/J/25/SSS	9457507944101	B6500/J/25 OA 1500 CTC 1340 SSS	25mm	70mm	85mm	1500mm	1340mm

# Ordering details

Item	Article Number	Description	Diameter	Projection	Offset	Length	Fixing Centres
B6500/J/32/PSS	9457507945102	B6500/J/32 OA 1500 CTC 1340 PSS	32mm	83mm	90mm	1500mm	1340mm
B6500/J/32/SSS	9457507945101	B6500/J/32 OA 1500 CTC 1340 SSS	32mm	83mm	90mm	1500mm	1340mm
B6500/K/25/PSS	9457507614102	B6500/K/25 OA 1400 CTC 1240 PSS	25mm	70mm	85mm	1400mm	1240mm
B6500/K/25/SSS	9457507614101	B6500/K/25 OA 1400 CTC 1240 SSS	25mm	70mm	85mm	1400mm	1240mm
B6500/K/32/PSS	9457507615102	B6500/K/32 OA 1400 CTC 1240 PSS	32mm	83mm	90mm	1400mm	1240mm
B6500/K/32/SSS	9457507615101	B6500/K/32 OA 1400 CTC 1240 SSS	32mm	83mm	90mm	1400mm	1240mm
B6500/L/25/PSS	9457507224102	B6500/L/25 OA 1300 CTC 1140 PSS	25mm	70mm	85mm	1300mm	1140mm
B6500/L/25/SSS	9457507224101	B6500/L/25 OA 1300 CTC 1140 SSS	25mm	70mm	85mm	1300mm	1140mm
B6500/L/32/PSS	9457507225102	B6500/L/32 OA 1300 CTC 1140 PSS	32mm	83mm	90mm	1300mm	1140mm
B6500/L/32/SSS	9457507225101	B6500/L/32 OA 1300 CTC 1140 SSS	32mm	83mm	90mm	1300mm	1140mm
B6500/M/25/PSS	9457506894102	B6500/M/25 OA 1200 CTC 1040 PSS	25mm	70mm	85mm	1200mm	1040mm
B6500/M/25/SSS	9457506894101	B6500/M/25 OA 1200 CTC 1040 SSS	25mm	70mm	85mm	1200mm	1040mm
B6500/M/32/PSS	9457506895102	B6500/M/32 OA 1200 CTC 1040 PSS	32mm	83mm	90mm	1200mm	1040mm
B6500/M/32/SSS	9457506895101	B6500/M/32 OA 1200 CTC 1040 SSS	32mm	83mm	90mm	1200mm	1040mm
B6500/N/25/PSS	9457506474102	B6500/N/25 OA 1100 CTC 940 PSS	25mm	70mm	85mm	1100mm	940mm
B6500/N/25/SSS	9457506474101	B6500/N/25 OA 1100 CTC 940 SSS	25mm	70mm	85mm	1100mm	940mm
B6500/N/32/PSS	9457506475102	B6500/N/32 OA 1100 CTC 940 PSS	32mm	83mm	90mm	1100mm	940mm
B6500/N/32/SSS	9457506475101	B6500/N/32 OA 1100 CTC 940 SSS	32mm	83mm	90mm	1100mm	940mm
B6500/O/25/PSS	9457506084102	B6500/O/25 OA 1000 CTC 840 PSS	25mm	70mm	85mm	1000mm	840mm
B6500/O/25/SSS	9457506084101	B6500/O/25 OA 1000 CTC 840 SSS	25mm	70mm	85mm	1000mm	840mm
B6500/O/32/PSS	9457506085102	B6500/O/32 OA 1000 CTC 840 PSS	32mm	83mm	90mm	1000mm	840mm
B6500/O/32/SSS	9457506085101	B6500/O/32 OA 1000 CTC 840 SSS	32mm	83mm	90mm	1000mm	840mm
B6500/P/25/PSS	9457505514102	B6500/P/25 OA 900 CTC 740 PSS	25mm	70mm	85mm	900mm	740mm
B6500/P/25/SSS	9457505514101	B6500/P/25 OA 900 CTC 740 SSS	25mm	70mm	85mm	900mm	740mm
B6500/P/32/PSS	9457505515102	B6500/P/32 OA 900 CTC 740 PSS	32mm	83mm	90mm	900mm	740mm
B6500/P/32/SSS	9457505515101	B6500/P/32 OA 900 CTC 740 SSS	32mm	83mm	90mm	900mm	740mm
B6500/Q/25/PSS	9457505064102	B6500/Q/25 OA 800 CTC 640 PSS	25mm	70mm	85mm	800mm	640mm
B6500/Q/25/SSS	9457505064101	B6500/Q/25 OA 800 CTC 640 SSS	25mm	70mm	85mm	800mm	640mm
B6500/Q/32/PSS	9457505065102	B6500/Q/32 OA 800 CTC 640 PSS	32mm	83mm	90mm	800mm	640mm
B6500/Q/32/SSS	9457505065101	B6500/Q/32 OA 800 CTC 640 SSS	32mm	83mm	90mm	800mm	640mm
B6500/R/25/PSS	9457504584102	B6500/R/25 OA 700 CTC 540 PSS	25mm	70mm	85mm	700mm	540mm
B6500/R/25/SSS	9457504584101	B6500/R/25 OA 700 CTC 540 SSS	25mm	70mm	85mm	700mm	540mm
B6500/R/32/PSS	9457504585102	B6500/R/32 OA 700 CTC 540 PSS	32mm	83mm	90mm	700mm	540mm
B6500/R/32/SSS	9457504585101	B6500/R/32 OA 700 CTC 540 SSS	32mm	83mm	90mm	700mm	540mm
B6500/S/25/PSS	9457503894102	B6500/S/25 OA 600 CTC 440 PSS	25mm	70mm	85mm	600mm	440mm
B6500/S/25/SSS	9457503894101	B6500/S/25 OA 600 CTC 440 SSS	25mm	70mm	85mm	600mm	440mm
B6500/S/32/PSS	9457503895102	B6500/S/32 OA 600 CTC 440 PSS	32mm	83mm	90mm	600mm	440mm
B6500/S/32/SSS	9457503895101	B6500/S/32 OA 600 CTC 440 SSS	32mm	83mm	90mm	600mm	440mm
B6500/T/25/PSS	9457503204102	B6500/T/25 OA 500 CTC 340 PSS	25mm	70mm	85mm	500mm	340mm
B6500/T/25/SSS	9457503204101	B6500/T/25 OA 500 CTC 340 SSS	25mm	70mm	85mm	500mm	340mm

# Ordering details

Item	Article Number	Description	Diameter	Projection	Offset	Length	Fixing Centres
B6500/T/32/PSS	9457503205102	B6500/T/32 OA 500 CTC 340 PSS	32mm	83mm	90mm	500mm	340mm
B6500/T/32/SSS	9457503205101	B6500/T/32 OA 500 CTC 340 SSS	32mm	83mm	90mm	500mm	340mm
B6500/U/25/PSS	9457502484102	B6500/U/25 OA 400 CTC 240 PSS	25mm	70mm	85mm	400mm	240mm
B6500/U/25/SSS	9457502484101	B6500/U/25 OA 400 CTC 240 SSS	25mm	70mm	85mm	400mm	240mm
B6500/U/32/PSS	9457502485102	B6500/U/32 OA 400 CTC 240 PSS	32mm	83mm	90mm	400mm	240mm
B6500/U/32/SSS	9457502485101	B6500/U/32 OA 400 CTC 240 SSS	32mm	83mm	90mm	400mm	240mm

## ACCESSORIES - EXTENDED FIXINGS

TM/M8/50	9459508058200	M8/50 FERULE HEAD BOLT TM FIX	<p><b>Note: When ordering extended fixings please use the below formula.</b></p> <p>Door thickness + 20mm for the Ferule + 10mm in to the other handle = round up to the nearest size offered.</p>
TM/M8/75	9459758078200	M8/75 FERULE HEAD BOLT TM FIX	
TM/M8/90	9400000012887	M8/90 BOLT & 16MM FERULE TM FIX	
TM/M8/100	9400000012888	M8/100 BOLT & 16MM FERULE TM FIX	
TM/M8/110	9459118118200	M8/110 BOLT & 16MM FERULE TM FIX	
TM/M8/120	9459128128200	M8/120 BOLT & 16MM FERULE TM FIX	
TM/M8/130	9459138138200	M8/130 BOLT & 16MM FERULE TM FIX	
TM/M8/150	9459158158200	M8/150 BOLT & 16MM FERULE TM FIX	

## ACCESSORIES - GLASS FIXINGS

GF25/M8/50 RND	9459502588301	25 DIA RND GLASS FIXING PAIRS
GF32/M8/50 RND	9459503288301	32 DIA RND GLASS FIXING PAIRS

## CONCEALED FIXING

<p><b>Note: 6500 Series in 25mm diameter requires a centre standoff for lengths 1900mm and over</b></p>							
C6500/A/25/PSS	9457509744202	C6500/A/25 OA 2400 CTC 2240 PSS	25mm	70mm	85mm	2400mm	2240mm
C6500/A/25/SSS	9457509744201	C6500/A/25 OA 2400 CTC 2240 SSS	25mm	70mm	85mm	2400mm	2240mm
C6500/A/32/PSS	9457509745202	C6500/A/32 OA 2400 CTC 2240 PSS	32mm	83mm	90mm	2400mm	2240mm
C6500/A/32/SSS	9457509745201	C6500/A/32 OA 2400 CTC 2240 SSS	32mm	83mm	90mm	2400mm	2240mm
C6500/B/25/PSS	9457509624202	C6500/B/25 OA 2300 CTC 2140 PSS	25mm	70mm	85mm	2300mm	2140mm
C6500/B/25/SSS	9457509624201	C6500/B/25 OA 2300 CTC 2140 SSS	25mm	70mm	85mm	2300mm	2140mm
C6500/B/32/PSS	9457509625202	C6500/B/32 OA 2300 CTC 2140 PSS	32mm	83mm	90mm	2300mm	2140mm
C6500/B/32/SSS	9457509625201	C6500/B/32 OA 2300 CTC 2140 SSS	32mm	83mm	90mm	2300mm	2140mm
C6500/C/25/PSS	9457509504202	C6500/C/25 OA 2200 CTC 2040 PSS	25mm	70mm	85mm	2200mm	2040mm
C6500/C/25/SSS	9457509504201	C6500/C/25 OA 2200 CTC 2040 SSS	25mm	70mm	85mm	2200mm	2040mm
C6500/C/32/PSS	9457509505202	C6500/C/32 OA 2200 CTC 2040 PSS	32mm	83mm	90mm	2200mm	2040mm
C6500/C/32/SSS	9457509505201	C6500/C/32 OA 2200 CTC 2040 SSS	32mm	83mm	90mm	2200mm	2040mm
C6500/D/25/PSS	9457509324202	C6500/D/25 OA 2100 CTC 1940 PSS	25mm	70mm	85mm	2100mm	1940mm
C6500/D/25/SSS	9457509324201	C6500/D/25 OA 2100 CTC 1940 SSS	25mm	70mm	85mm	2100mm	1940mm
C6500/D/32/PSS	9457509325202	C6500/D/32 OA 2100 CTC 1940 PSS	32mm	83mm	90mm	2100mm	1940mm
C6500/D/32/SSS	9457509325201	C6500/D/32 OA 2100 CTC 1940 SSS	32mm	83mm	90mm	2100mm	1940mm
C6500/E/25/PSS	9457509144202	C6500/E/25 OA 2000 CTC 1840 PSS	25mm	70mm	85mm	2000mm	1840mm
C6500/E/25/SSS	9457509144201	C6500/E/25 OA 2000 CTC 1840 SSS	25mm	70mm	85mm	2000mm	1840mm

# Ordering details

Item	Article Number	Description	Diameter	Projection	Offset	Length	Fixing Centres
C6500/E/32/PSS	9457509145202	C6500/E/32 OA 2000 CTC 1840 PSS	32mm	83mm	90mm	2000mm	1840mm
C6500/E/32/SSS	9457509145201	C6500/E/32 OA 2000 CTC 1840 SSS	32mm	83mm	90mm	2000mm	1840mm
C6500/F/25/PSS	9457508994202	C6500/F/25 OA 1900 CTC 1740 PSS	25mm	70mm	85mm	1900mm	1740mm
C6500/F/25/SSS	9457508994201	C6500/F/25 OA 1900 CTC 1740 SSS	25mm	70mm	85mm	1900mm	1740mm
C6500/F/32/PSS	9457508995202	C6500/F/32 OA 1900 CTC 1740 PSS	32mm	83mm	90mm	1900mm	1740mm
C6500/F/32/SSS	9457508995201	C6500/F/32 OA 1900 CTC 1740 SSS	32mm	83mm	90mm	1900mm	1740mm
C6500/G/25/PSS	9457508814202	C6500/G/25 OA 1800 CTC 1640 PSS	25mm	70mm	85mm	1800mm	1640mm
C6500/G/25/SSS	9457508814201	C6500/G/25 OA 1800 CTC 1640 SSS	25mm	70mm	85mm	1800mm	1640mm
C6500/G/32/PSS	9457508815202	C6500/G/32 OA 1800 CTC 1640 PSS	32mm	83mm	90mm	1800mm	1640mm
C6500/G/32/SSS	9457508815201	C6500/G/32 OA 1800 CTC 1640 SSS	32mm	83mm	90mm	1800mm	1640mm
C6500/H/25/PSS	9457508604202	C6500/H/25 OA 1700 CTC 1540 PSS	25mm	70mm	85mm	1700mm	1540mm
C6500/H/25/SSS	9457508604201	C6500/H/25 OA 1700 CTC 1540 SSS	25mm	70mm	85mm	1700mm	1540mm
C6500/H/32/PSS	9457508605202	C6500/H/32 OA 1700 CTC 1540 PSS	32mm	83mm	90mm	1700mm	1540mm
C6500/H/32/SSS	9457508605201	C6500/H/32 OA 1700 CTC 1540 SSS	32mm	83mm	90mm	1700mm	1540mm
C6500/I/25/PSS	9457508274202	C6500/I/25 OA 1600 CTC 1440 PSS	25mm	70mm	85mm	1660mm	1440mm
C6500/I/25/SSS	9457508274201	C6500/I/25 OA 1600 CTC 1440 SSS	25mm	70mm	85mm	1660mm	1440mm
C6500/I/32/PSS	9457508275202	C6500/I/32 OA 1600 CTC 1440 PSS	32mm	83mm	90mm	1660mm	1440mm
C6500/I/32/SSS	9457508275201	C6500/I/32 OA 1600 CTC 1440 SSS	32mm	83mm	90mm	1660mm	1440mm
C6500/J/25/PSS	9457507944202	C6500/J/25 OA 1500 CTC 1340 PSS	25mm	70mm	85mm	1500mm	1340mm
C6500/J/25/SSS	9457507944201	C6500/J/25 OA 1500 CTC 1340 SSS	25mm	70mm	85mm	1500mm	1340mm
C6500/J/32/PSS	9457507945202	C6500/J/32 OA 1500 CTC 1340 PSS	32mm	83mm	90mm	1500mm	1340mm
C6500/J/32/SSS	9457507945201	C6500/J/32 OA 1500 CTC 1340 SSS	32mm	83mm	90mm	1500mm	1340mm
C6500/K/25/PSS	9457507614202	C6500/K/25 OA 1400 CTC 1240 PSS	25mm	70mm	85mm	1400mm	1240mm
C6500/K/25/SSS	9457507614201	C6500/K/25 OA 1400 CTC 1240 SSS	25mm	70mm	85mm	1400mm	1240mm
C6500/K/32/PSS	9457507615202	C6500/K/32 OA 1400 CTC 1240 PSS	32mm	83mm	90mm	1400mm	1240mm
C6500/K/32/SSS	9457507615201	C6500/K/32 OA 1400 CTC 1240 SSS	32mm	83mm	90mm	1400mm	1240mm
C6500/L/25/PSS	9457507224202	C6500/L/25 OA 1300 CTC 1140 PSS	25mm	70mm	85mm	1300mm	1140mm
C6500/L/25/SSS	9457507224201	C6500/L/25 OA 1300 CTC 1140 SSS	25mm	70mm	85mm	1300mm	1140mm
C6500/L/32/PSS	9457507225202	C6500/L/32 OA 1300 CTC 1140 PSS	32mm	83mm	90mm	1300mm	1140mm
C6500/L/32/SSS	9457507225201	C6500/L/32 OA 1300 CTC 1140 SSS	32mm	83mm	90mm	1300mm	1140mm
C6500/M/25/PSS	9457506894202	C6500/M/25 OA 1200 CTC 1040 PSS	25mm	70mm	85mm	1200mm	1040mm
C6500/M/25/SSS	9457506894201	C6500/M/25 OA 1200 CTC 1040 SSS	25mm	70mm	85mm	1200mm	1040mm
C6500/M/32/PSS	9457506895202	C6500/M/32 OA 1200 CTC 1040 PSS	32mm	83mm	90mm	1200mm	1040mm
C6500/M/32/SSS	9457506895201	C6500/M/32 OA 1200 CTC 1040 SSS	32mm	83mm	90mm	1200mm	1040mm
C6500/N/25/PSS	9457506474202	C6500/N/25 OA 1100 CTC 940 PSS	25mm	70mm	85mm	1100mm	940mm
C6500/N/25/SSS	9457506474201	C6500/N/25 OA 1100 CTC 940 SSS	25mm	70mm	85mm	1100mm	940mm
C6500/N/32/PSS	9457506475202	C6500/N/32 OA 1100 CTC 940 PSS	32mm	83mm	90mm	1100mm	940mm
C6500/N/32/SSS	9457506475201	C6500/N/32 OA 1100 CTC 940 SSS	32mm	83mm	90mm	1100mm	940mm
C6500/O/25/PSS	9457506084202	C6500/O/25 OA 1000 CTC 840 PSS	25mm	70mm	85mm	1000mm	840mm
C6500/O/25/SSS	9457506084201	C6500/O/25 OA 1000 CTC 840 SSS	25mm	70mm	85mm	1000mm	840mm

# Ordering details

Item	Article Number	Description	Diameter	Projection	Offset	Length	Fixing Centres
C6500/O/32/PSS	9457506085202	C6500/O/32 OA 1000 CTC 840 PSS	32mm	83mm	90mm	1000mm	840mm
C6500/O/32/SSS	9457506085201	C6500/O/32 OA 1000 CTC 840 SSS	32mm	83mm	90mm	1000mm	840mm
C6500/P/25/PSS	9457505514202	C6500/P/25 OA 900 CTC 740 PSS	25mm	70mm	85mm	900mm	740mm
C6500/P/25/SSS	9457505514201	C6500/P/25 OA 900 CTC 740 SSS	25mm	70mm	85mm	900mm	740mm
C6500/P/32/PSS	9457505515202	C6500/P/32 OA 900 CTC 740 PSS	32mm	83mm	90mm	900mm	740mm
C6500/P/32/SSS	9457505515201	C6500/P/32 OA 900 CTC 740 SSS	32mm	83mm	90mm	900mm	740mm
C6500/Q/25/PSS	9457505064202	C6500/Q/25 OA 800 CTC 640 PSS	25mm	70mm	85mm	800mm	640mm
C6500/Q/25/SSS	9457505064201	C6500/Q/25 OA 800 CTC 640 SSS	25mm	70mm	85mm	800mm	640mm
C6500/Q/32/PSS	9457505065202	C6500/Q/32 OA 800 CTC 640 PSS	32mm	83mm	90mm	800mm	640mm
C6500/Q/32/SSS	9457505065201	C6500/Q/32 OA 800 CTC 640 SSS	32mm	83mm	90mm	800mm	640mm
C6500/R/25/PSS	9457504584202	C6500/R/25 OA 700 CTC 540 PSS	25mm	70mm	85mm	700mm	540mm
C6500/R/25/SSS	9457504584201	C6500/R/25 OA 700 CTC 540 SSS	25mm	70mm	85mm	700mm	540mm
C6500/R/32/PSS	9457504585202	C6500/R/32 OA 700 CTC 540 PSS	32mm	83mm	90mm	700mm	540mm
C6500/R/32/SSS	9457504585201	C6500/R/32 OA 700 CTC 540 SSS	32mm	83mm	90mm	700mm	540mm
C6500/S/25/PSS	9457503894202	C6500/S/25 OA 600 CTC 440 PSS	25mm	70mm	85mm	600mm	440mm
C6500/S/25/SSS	9457503894201	C6500/S/25 OA 600 CTC 440 SSS	25mm	70mm	85mm	600mm	440mm
C6500/S/32/PSS	9457503895202	C6500/S/32 OA 600 CTC 440 PSS	32mm	83mm	90mm	600mm	440mm
C6500/S/32/SSS	9457503895201	C6500/S/32 OA 600 CTC 440 SSS	32mm	83mm	90mm	600mm	440mm
C6500/T/25/PSS	9457503204202	C6500/T/25 OA 500 CTC 340 PSS	25mm	70mm	85mm	500mm	340mm
C6500/T/25/SSS	9457503204201	C6500/T/25 OA 500 CTC 340 SSS	25mm	70mm	85mm	500mm	340mm
C6500/T/32/PSS	9457503205202	C6500/T/32 OA 500 CTC 340 PSS	32mm	83mm	90mm	500mm	340mm
C6500/T/32/SSS	9457503205201	C6500/T/32 OA 500 CTC 340 SSS	32mm	83mm	90mm	500mm	340mm
C6500/U/25/PSS	9457502484202	C6500/U/25 OA 400 CTC 240 PSS	25mm	70mm	85mm	400mm	240mm
C6500/U/25/SSS	9457502484201	C6500/U/25 OA 400 CTC 240 SSS	25mm	70mm	85mm	400mm	240mm
C6500/U/32/PSS	9457502485202	C6500/U/32 OA 400 CTC 240 PSS	32mm	83mm	90mm	400mm	240mm
C6500/U/32/SSS	9457502485201	C6500/U/32 OA 400 CTC 240 SSS	32mm	83mm	90mm	400mm	240mm

DISC FIXING							
		<b>Note: 6500 Series in 25mm diameter requires a centre standoff for lengths 1900mm and over</b>					
D6500/A/25/PSS	9457509744302	D6500/A/25 OA 2400 CTC 2240 PSS	25mm	70mm	85mm	2400mm	2240mm
D6500/A/25/SSS	9457509744301	D6500/A/25 OA 2400 CTC 2240 SSS	25mm	70mm	85mm	2400mm	2240mm
D6500/A/32/PSS	9457509745302	D6500/A/32 OA 2400 CTC 2240 PSS	32mm	83mm	90mm	2400mm	2240mm
D6500/A/32/SSS	9457509745301	D6500/A/32 OA 2400 CTC 2240 SSS	32mm	83mm	90mm	2400mm	2240mm
D6500/B/25/PSS	9457509624302	D6500/B/25 OA 2300 CTC 2140 PSS	25mm	70mm	85mm	2300mm	2140mm
D6500/B/25/SSS	9457509624301	D6500/B/25 OA 2300 CTC 2140 SSS	25mm	70mm	85mm	2300mm	2140mm
D6500/B/32/PSS	9457509625302	D6500/B/32 OA 2300 CTC 2140 PSS	32mm	83mm	90mm	2300mm	2140mm
D6500/B/32/SSS	9457509625301	D6500/B/32 OA 2300 CTC 2140 SSS	32mm	83mm	90mm	2300mm	2140mm
D6500/C/25/PSS	9457509504302	D6500/C/25 OA 2200 CTC 2040 PSS	25mm	70mm	85mm	2200mm	2040mm
D6500/C/25/SSS	9457509504301	D6500/C/25 OA 2200 CTC 2040 SSS	25mm	70mm	85mm	2200mm	2040mm

# Ordering details

Item	Article Number	Description	Diameter	Projection	Offset	Length	Fixing Centres
D6500/C/32/PSS	9457509505302	D6500/C/32 OA 2200 CTC 2040 PSS	32mm	83mm	90mm	2200mm	2040mm
D6500/C/32/SSS	9457509505301	D6500/C/32 OA 2200 CTC 2040 SSS	32mm	83mm	90mm	2200mm	2040mm
D6500/D/25/PSS	9457509324302	D6500/D/25 OA 2100 CTC 1940 PSS	25mm	70mm	85mm	2100mm	1940mm
D6500/D/25/SSS	9457509324301	D6500/D/25 OA 2100 CTC 1940 SSS	25mm	70mm	85mm	2100mm	1940mm
D6500/D/32/PSS	9457509325302	D6500/D/32 OA 2100 CTC 1940 PSS	32mm	83mm	90mm	2100mm	1940mm
D6500/D/32/SSS	9457509325301	D6500/D/32 OA 2100 CTC 1940 SSS	32mm	83mm	90mm	2100mm	1940mm
D6500/E/25/PSS	9457509144302	D6500/E/25 OA 2000 CTC 1840 PSS	25mm	70mm	85mm	2000mm	1840mm
D6500/E/25/SSS	9457509144301	D6500/E/25 OA 2000 CTC 1840 SSS	25mm	70mm	85mm	2000mm	1840mm
D6500/E/32/PSS	9457509145302	D6500/E/32 OA 2000 CTC 1840 PSS	32mm	83mm	90mm	2000mm	1840mm
D6500/E/32/SSS	9457509145301	D6500/E/32 OA 2000 CTC 1840 SSS	32mm	83mm	90mm	2000mm	1840mm
D6500/F/25/PSS	9457508994302	D6500/F/25 OA 1900 CTC 1740 PSS	25mm	70mm	85mm	1900mm	1740mm
D6500/F/25/SSS	9457508994301	D6500/F/25 OA 1900 CTC 1740 SSS	25mm	70mm	85mm	1900mm	1740mm
D6500/F/32/PSS	9457508995302	D6500/F/32 OA 1900 CTC 1740 PSS	32mm	83mm	90mm	1900mm	1740mm
D6500/F/32/SSS	9457508995301	D6500/F/32 OA 1900 CTC 1740 SSS	32mm	83mm	90mm	1900mm	1740mm
D6500/G/25/PSS	9457508814302	D6500/G/25 OA 1800 CTC 1640 PSS	25mm	70mm	85mm	1800mm	1640mm
D6500/G/25/SSS	9457508814301	D6500/G/25 OA 1800 CTC 1640 SSS	25mm	70mm	85mm	1800mm	1640mm
D6500/G/32/PSS	9457508815302	D6500/G/32 OA 1800 CTC 1640 PSS	32mm	83mm	90mm	1800mm	1640mm
D6500/G/32/SSS	9457508815301	D6500/G/32 OA 1800 CTC 1640 SSS	32mm	83mm	90mm	1800mm	1640mm
D6500/H/25/PSS	9457508604302	D6500/H/25 OA 1700 CTC 1540 PSS	25mm	70mm	85mm	1700mm	1540mm
D6500/H/25/SSS	9457508604301	D6500/H/25 OA 1700 CTC 1540 SSS	25mm	70mm	85mm	1700mm	1540mm
D6500/H/32/PSS	9457508605302	D6500/H/32 OA 1700 CTC 1540 PSS	32mm	83mm	90mm	1700mm	1540mm
D6500/H/32/SSS	9457508605301	D6500/H/32 OA 1700 CTC 1540 SSS	32mm	83mm	90mm	1700mm	1540mm
D6500/I/25/PSS	9457508274302	D6500/I/25 OA 1600 CTC 1440 PSS	25mm	70mm	85mm	1660mm	1440mm
D6500/I/25/SSS	9457508274301	D6500/I/25 OA 1600 CTC 1440 SSS	25mm	70mm	85mm	1660mm	1440mm
D6500/I/32/PSS	9457508275302	D6500/I/32 OA 1600 CTC 1440 PSS	32mm	83mm	90mm	1660mm	1440mm
D6500/I/32/SSS	9457508275301	D6500/I/32 OA 1600 CTC 1440 SSS	32mm	83mm	90mm	1660mm	1440mm
D6500/J/25/PSS	9457507944302	D6500/J/25 OA 1500 CTC 1340 PSS	25mm	70mm	85mm	1500mm	1340mm
D6500/J/25/SSS	9457507944301	D6500/J/25 OA 1500 CTC 1340 SSS	25mm	70mm	85mm	1500mm	1340mm
D6500/J/32/PSS	9457507945302	D6500/J/32 OA 1500 CTC 1340 PSS	32mm	83mm	90mm	1500mm	1340mm
D6500/J/32/SSS	9457507945301	D6500/J/32 OA 1500 CTC 1340 SSS	32mm	83mm	90mm	1500mm	1340mm
D6500/K/25/PSS	9457507614302	D6500/K/25 OA 1400 CTC 1240 PSS	25mm	70mm	85mm	1400mm	1240mm
D6500/K/25/SSS	9457507614301	D6500/K/25 OA 1400 CTC 1240 SSS	25mm	70mm	85mm	1400mm	1240mm
D6500/K/32/PSS	9457507615302	D6500/K/32 OA 1400 CTC 1240 PSS	32mm	83mm	90mm	1400mm	1240mm
D6500/K/32/SSS	9457507615301	D6500/K/32 OA 1400 CTC 1240 SSS	32mm	83mm	90mm	1400mm	1240mm
D6500/L/25/PSS	9457507224302	D6500/L/25 OA 1300 CTC 1140 PSS	25mm	70mm	85mm	1300mm	1140mm
D6500/L/25/SSS	9457507224301	D6500/L/25 OA 1300 CTC 1140 SSS	25mm	70mm	85mm	1300mm	1140mm
D6500/L/32/PSS	9457507225302	D6500/L/32 OA 1300 CTC 1140 PSS	32mm	83mm	90mm	1300mm	1140mm
D6500/L/32/SSS	9457507225301	D6500/L/32 OA 1300 CTC 1140 SSS	32mm	83mm	90mm	1300mm	1140mm
D6500/M/25/PSS	9457506894302	D6500/M/25 OA 1200 CTC 1040 PSS	25mm	70mm	85mm	1200mm	1040mm
D6500/M/25/SSS	9457506894301	D6500/M/25 OA 1200 CTC 1040 SSS	25mm	70mm	85mm	1200mm	1040mm



# Ordering details

Item	Article Number	Description	Diameter	Projection	Offset	Length	Fixing Centres
D6500/M/32/PSS	9457506895302	D6500/M/32 OA 1200 CTC 1040 PSS	32mm	83mm	90mm	1200mm	1040mm
D6500/M/32/SSS	9457506895301	D6500/M/32 OA 1200 CTC 1040 SSS	32mm	83mm	90mm	1200mm	1040mm
D6500/N/25/PSS	9457506474302	D6500/N/25 OA 1100 CTC 940 PSS	25mm	70mm	85mm	1100mm	940mm
D6500/N/25/SSS	9457506474301	D6500/N/25 OA 1100 CTC 940 SSS	25mm	70mm	85mm	1100mm	940mm
D6500/N/32/PSS	9457506475302	D6500/N/32 OA 1100 CTC 940 PSS	32mm	83mm	90mm	1100mm	940mm
D6500/N/32/SSS	9457506475301	D6500/N/32 OA 1100 CTC 940 SSS	32mm	83mm	90mm	1100mm	940mm
D6500/O/25/PSS	9457506084302	D6500/O/25 OA 1000 CTC 840 PSS	25mm	70mm	85mm	1000mm	840mm
D6500/O/25/SSS	9457506084301	D6500/O/25 OA 1000 CTC 840 SSS	25mm	70mm	85mm	1000mm	840mm
D6500/O/32/PSS	9457506085302	D6500/O/32 OA 1000 CTC 840 PSS	32mm	83mm	90mm	1000mm	840mm
D6500/O/32/SSS	9457506085301	D6500/O/32 OA 1000 CTC 840 SSS	32mm	83mm	90mm	1000mm	840mm
D6500/P/25/PSS	9457505514302	D6500/P/25 OA 900 CTC 740 PSS	25mm	70mm	85mm	900mm	740mm
D6500/P/25/SSS	9457505514301	D6500/P/25 OA 900 CTC 740 SSS	25mm	70mm	85mm	900mm	740mm
D6500/P/32/PSS	9457505515302	D6500/P/32 OA 900 CTC 740 PSS	32mm	83mm	90mm	900mm	740mm
D6500/P/32/SSS	9457505515301	D6500/P/32 OA 900 CTC 740 SSS	32mm	83mm	90mm	900mm	740mm
D6500/Q/25/PSS	9457505064302	D6500/Q/25 OA 800 CTC 640 PSS	25mm	70mm	85mm	800mm	640mm
D6500/Q/25/SSS	9457505064301	D6500/Q/25 OA 800 CTC 640 SSS	25mm	70mm	85mm	800mm	640mm
D6500/Q/32/PSS	9457505065302	D6500/Q/32 OA 800 CTC 640 PSS	32mm	83mm	90mm	800mm	640mm
D6500/Q/32/SSS	9457505065301	D6500/Q/32 OA 800 CTC 640 SSS	32mm	83mm	90mm	800mm	640mm
D6500/R/25/PSS	9457504584302	D6500/R/25 OA 700 CTC 540 PSS	25mm	70mm	85mm	700mm	540mm
D6500/R/25/SSS	9457504584301	D6500/R/25 OA 700 CTC 540 SSS	25mm	70mm	85mm	700mm	540mm
D6500/R/32/PSS	9457504585302	D6500/R/32 OA 700 CTC 540 PSS	32mm	83mm	90mm	700mm	540mm
D6500/R/32/SSS	9457504585301	D6500/R/32 OA 700 CTC 540 SSS	32mm	83mm	90mm	700mm	540mm
D6500/S/25/PSS	9457503894302	D6500/S/25 OA 600 CTC 440 PSS	25mm	70mm	85mm	600mm	440mm
D6500/S/25/SSS	9457503894301	D6500/S/25 OA 600 CTC 440 SSS	25mm	70mm	85mm	600mm	440mm
D6500/S/32/PSS	9457503895302	D6500/S/32 OA 600 CTC 440 PSS	32mm	83mm	90mm	600mm	440mm
D6500/S/32/SSS	9457503895301	D6500/S/32 OA 600 CTC 440 SSS	32mm	83mm	90mm	600mm	440mm
D6500/T/25/PSS	9457503204302	D6500/T/25 OA 500 CTC 340 PSS	25mm	70mm	85mm	500mm	340mm
D6500/T/25/SSS	9457503204301	D6500/T/25 OA 500 CTC 340 SSS	25mm	70mm	85mm	500mm	340mm
D6500/T/32/PSS	9457503205302	D6500/T/32 OA 500 CTC 340 PSS	32mm	83mm	90mm	500mm	340mm
D6500/T/32/SSS	9457503205301	D6500/T/32 OA 500 CTC 340 SSS	32mm	83mm	90mm	500mm	340mm
D6500/U/25/PSS	9457502484302	D6500/U/25 OA 400 CTC 240 PSS	25mm	70mm	85mm	400mm	240mm
D6500/U/25/SSS	9457502484301	D6500/U/25 OA 400 CTC 240 SSS	25mm	70mm	85mm	400mm	240mm
D6500/U/32/PSS	9457502485302	D6500/U/32 OA 400 CTC 240 PSS	32mm	83mm	90mm	400mm	240mm
D6500/U/32/SSS	9457502485301	D6500/U/32 OA 400 CTC 240 SSS	32mm	83mm	90mm	400mm	240mm

# Ordering details

Item	Article Number	Description	Diameter	Projection	Offset	Length	Fixing Centres
<b>ACCESSORIES - EXTENDED FIXINGS</b>							
DF25/M8/75 PSS	9459752588102	25MM DISK FIX PAIR M8X75MM PSS					
DF25/M8/75 SSS	9400000014108	25MM DISK FIX PAIR M8X75MM SSS					
DF32/M8/75 PSS	9459753288102	32MM DISK FIX PAIR M8X75MM PSS					
DF32/M8/75 SSS	9400000014109	32MM DISK FIX PAIR M8X75MM SSS					
<b>ACCESSORIES - GLASS FIXINGS</b>							
GDF25/M8/50 PSS	9459502588102	25MM GLASS DISK FIX PSS PAIR M8X50MM					
GDF25/M8/50 SSS	9459502588101	25MM GLASS DISK FIX SSS PAIR M8X50MM					
GDF32/M8/50 PSS	9459503288102	32MM GLASS DISK FIX PSS PAIR M8X50MM					
GDF32/M8/50 SSS	9459503288101	32MM GLASS DISK FIX SSS PAIR M8X50MM					