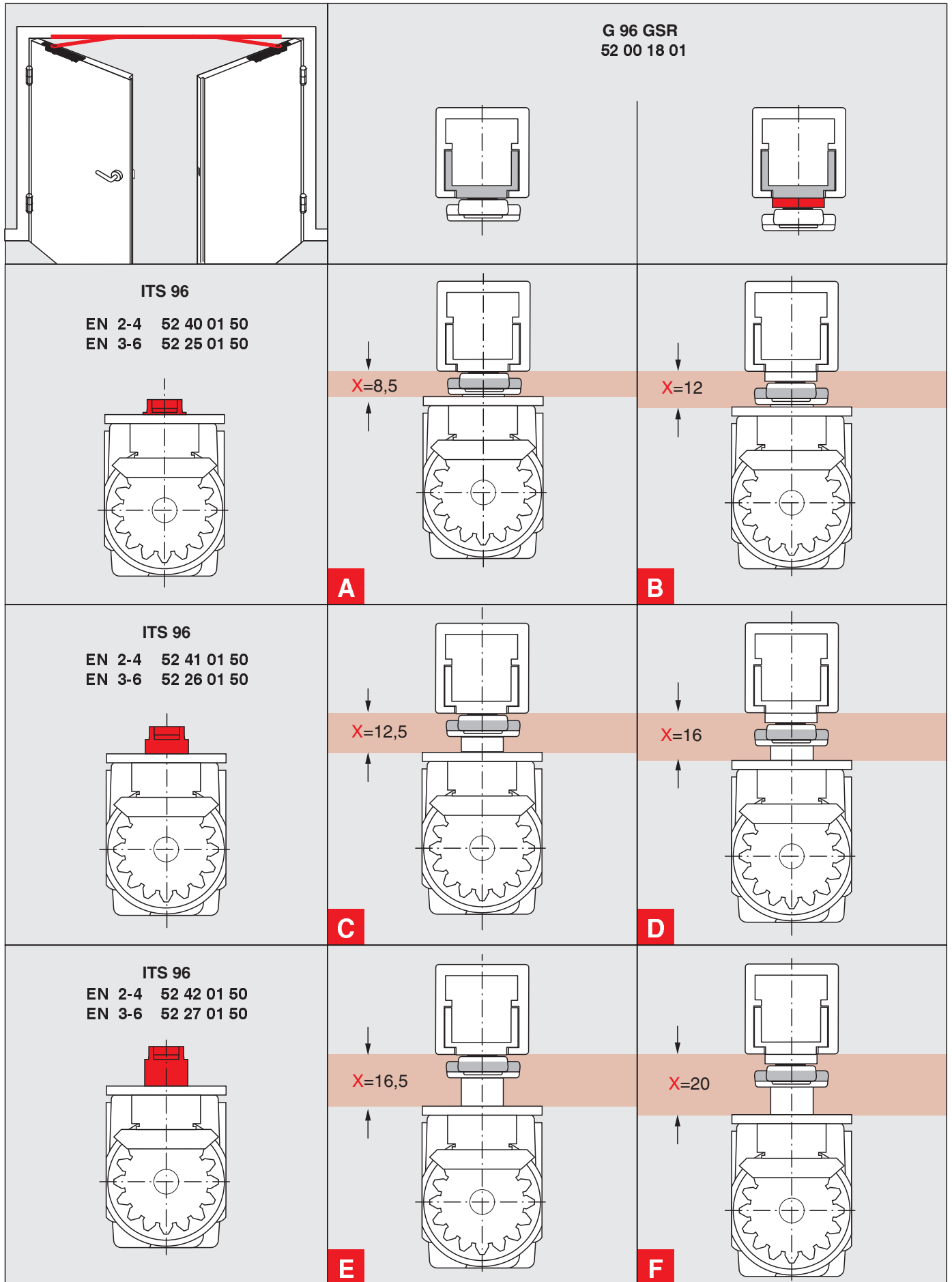
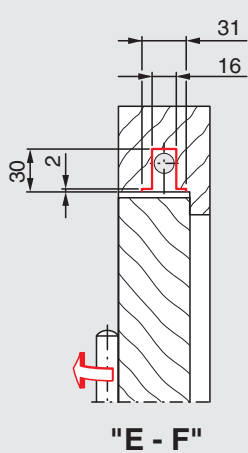
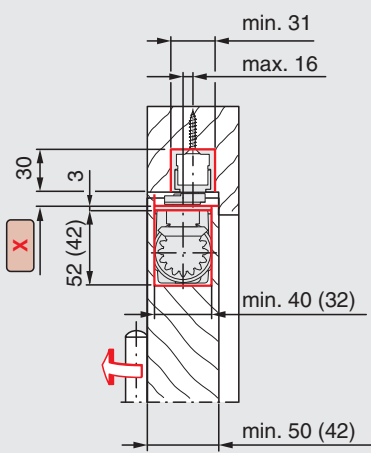
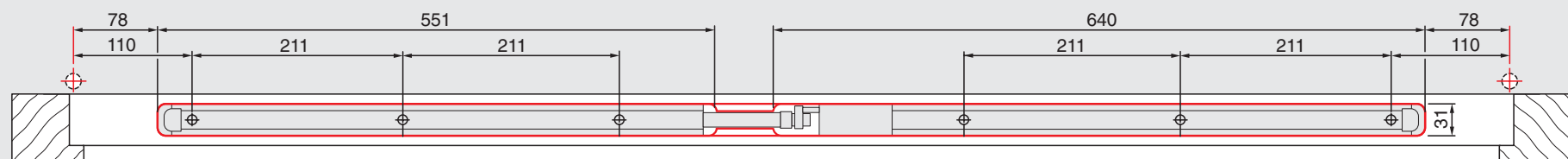
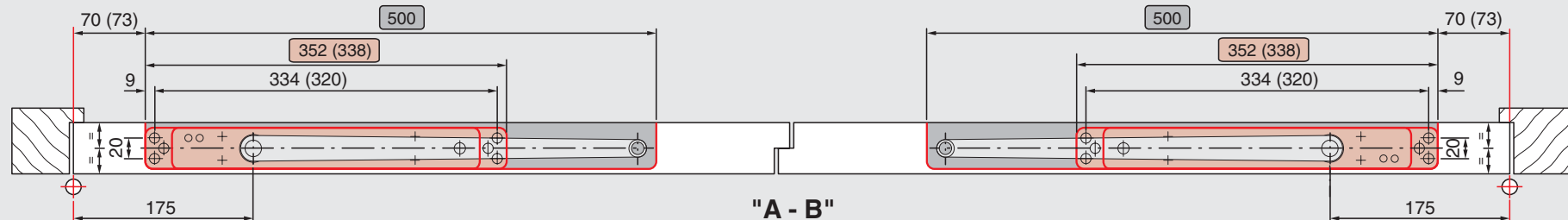
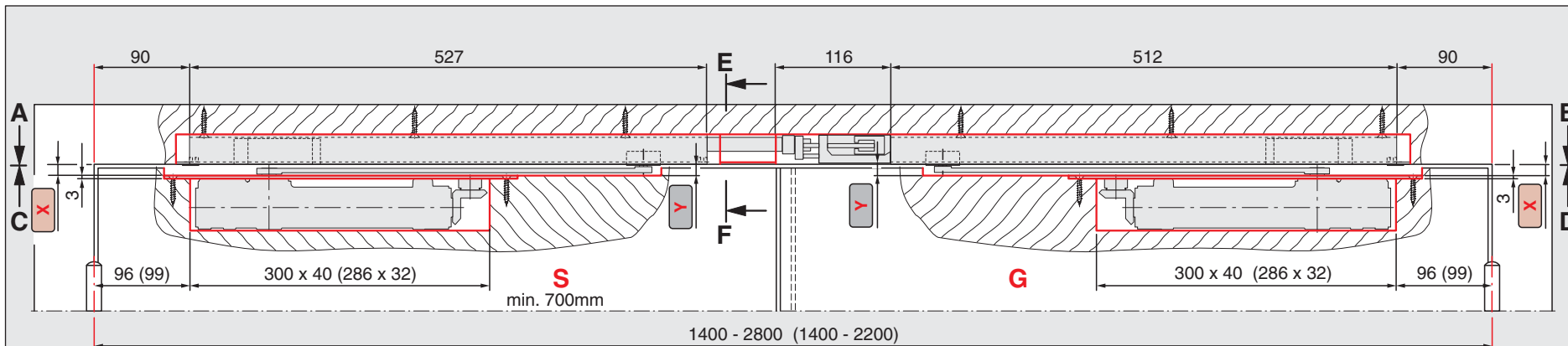


DORMA ITS 96 GSR

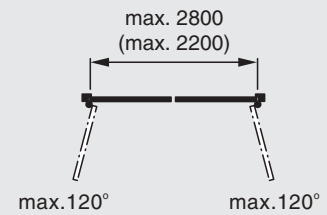




"C - D"

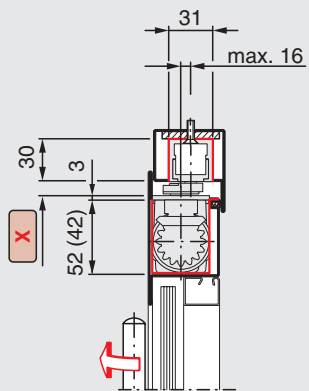
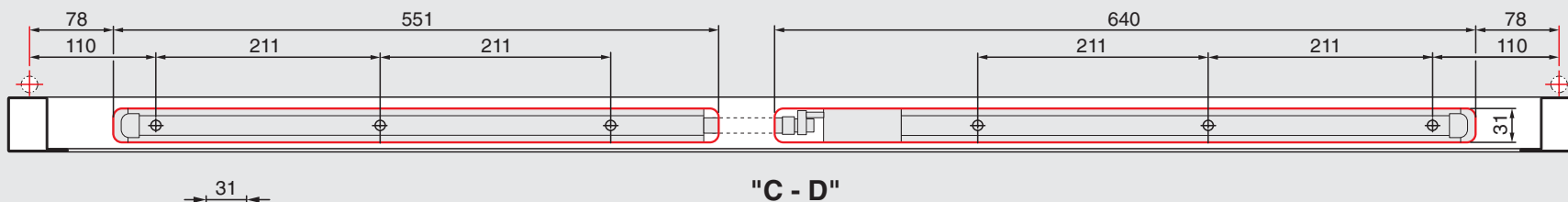
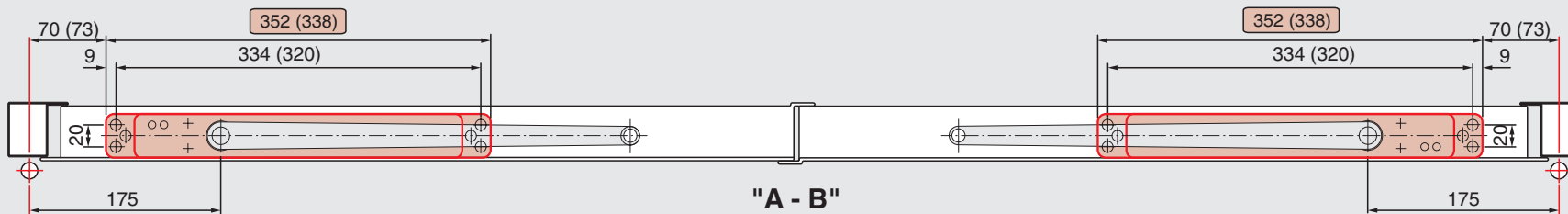
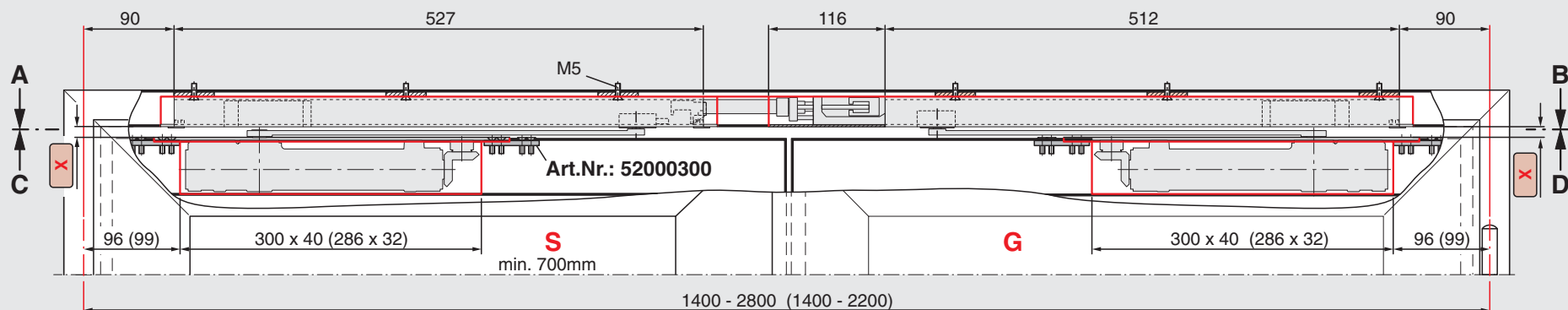
"E - F"

() = EN 2-4
 R = 8mm



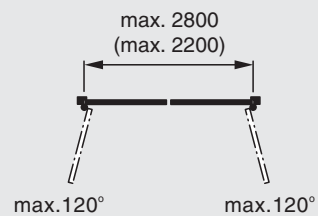
| | X | Y |
|----------|------|------|
| A | 8,5 | 8,5 |
| B | 12,0 | 12,0 |
| C | 12,5 | 8,5 |
| D | 16,0 | 12,0 |
| E | 16,5 | 8,5 |
| F | 20,0 | 12,0 |





() = EN 2-4

┌ R = 8mm



| | X |
|---|------|
| A | 8,5 |
| B | 12,0 |
| C | 12,5 |
| D | 16,0 |
| E | 16,5 |
| F | 20,0 |

