



HZ 43-F

Automatic
rod lock system

The HZ 43-F rod lock system offers the solution for double-leaf door systems, specifically for fire and smoke doors.

It only takes a simple step to open the active door leaf via the lock, which also simultaneously releases the passive door leaf to allow opening.

Advantages listed point by point

- Automatic locking and unlocking of the passive door leaf.
- Various versions for different installation situations.
- Perfect customisation to the building conditions thanks to divided, adjustable spindle and adjustable engaging element.
- Suitable for use on fire and smoke doors.

Data and features	HZ 43-F
timber doors	●
profile-framed doors	●
Installation:	
DIN-L	●
DIN-R	●
DIN universal	-
Installation at top	●
Installation at bottom	-
Divided, adjustable spindle	●
Flexibly mounted latch bolt	●
Adjustable engaging element	●

● yes - no

Certificate of suitability

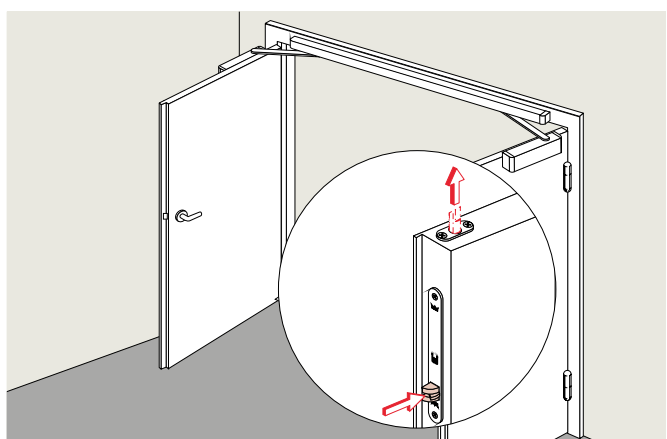
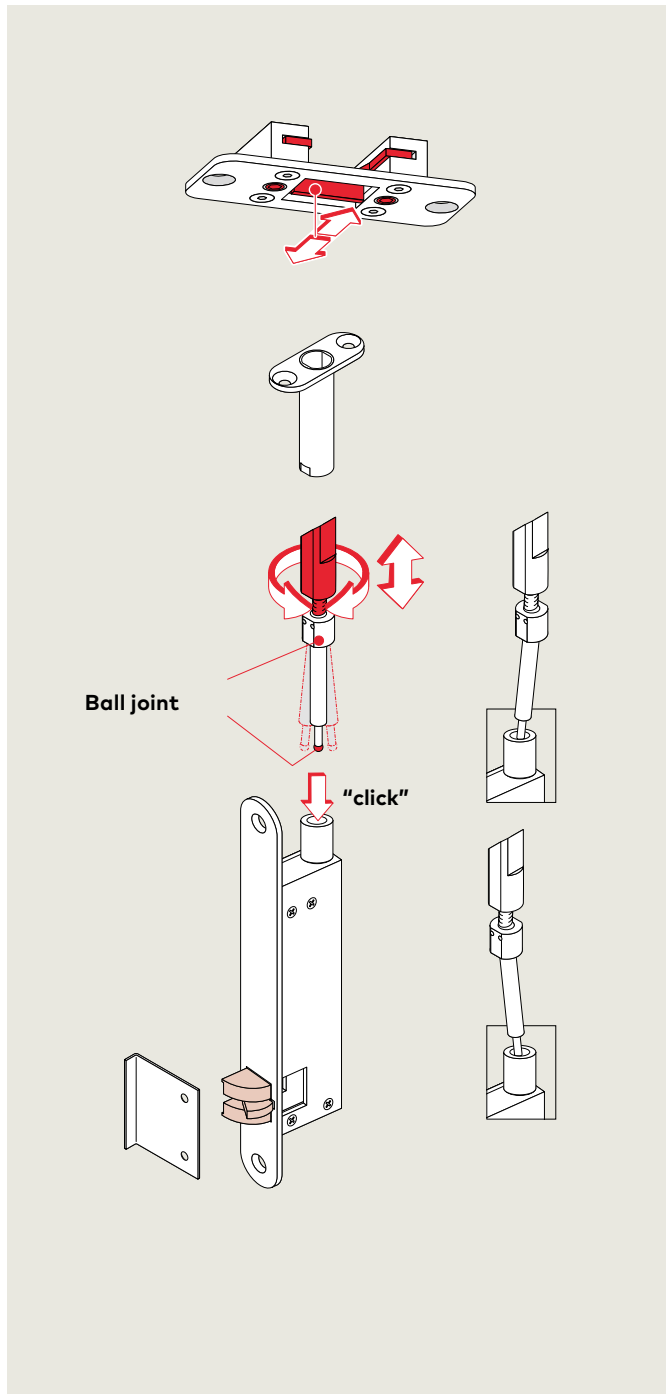
The rod lock system HZ 43-F has been tested by the Materials Testing Office, Dortmund for its use on double-leaf fire and smoke doors. Additional certificate of suitability required for the fire or smoke door concerned.

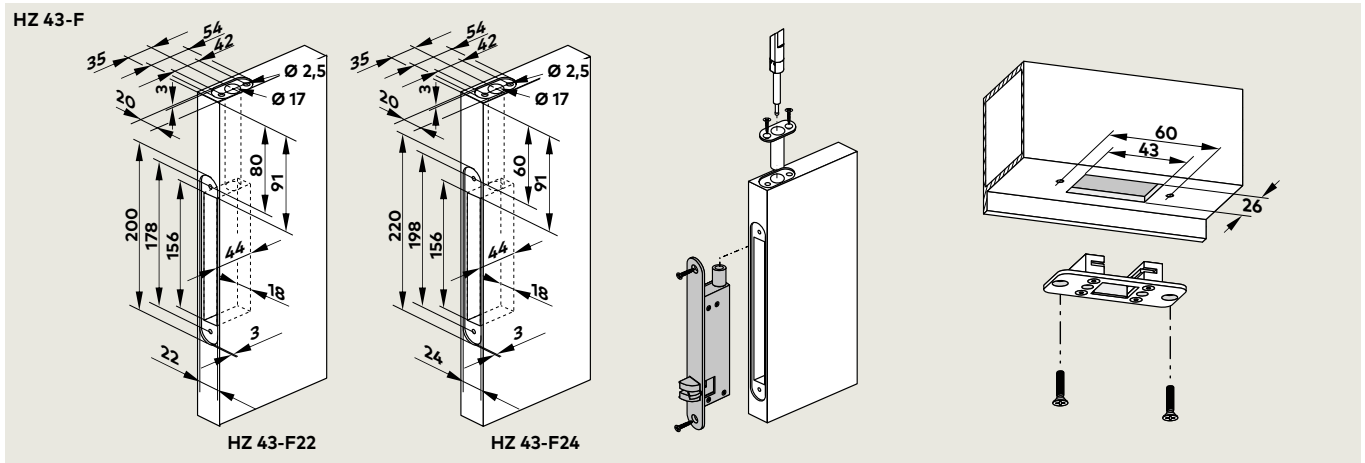
Function

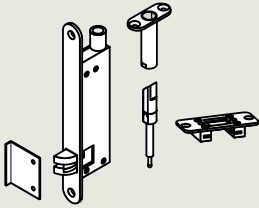
If the active door leaf is opened, the passive door leaf has to be unlocked and opened at the same time. The door coordinator ensures that first the passive door leaf is closed and then the active door leaf. The active door leaf presses the latch on the rod lock system HZ 43-F. This makes the bolt go in reverse direction and lock the passive door leaf.

Example:

Door coordinator dormakaba TS 93 GSR and rod lock system HZ 43-F.





	Specification text	Article no.
	<p>HZ 43-F Rod lock system for automatic locking and unlocking of passive door leaf in double-leaf doors. Specially suitable for fire and smoke doors.</p> <p>For narrow stile and timber doors, DIN-L/R, with crank latch, 35 mm backset, 22/24 mm wide stainless-steel faceplate, 3 mm thick, divided adjustable spindle, flexibly mounted, length-wise adjustable latch bolt (ø 13.8 mm), adjustable engaging element</p>	
	<input type="checkbox"/> HZ 43-F22 for installation DIN top left	15199002
	<input type="checkbox"/> HZ 43-F22 for installation DIN top right	15199003
	<input type="checkbox"/> HZ 43-F24 for installation DIN top left	15199004
	<input type="checkbox"/> HZ 43-F24 for installation DIN top right	15199005



**Door
Hardware**



**Electronic
Access & Data**



**Mechanical
Key Systems**



Lodging Systems



**Entrance
Systems**



**Interior Glass
Systems**



Safe Locks



Service

**dormakaba
International Holding AG**
Hofwisenstrasse 24
CH-8153 Rümlang
T +41 44 818 90 11
info@dormakaba.com
www.dormakaba.com