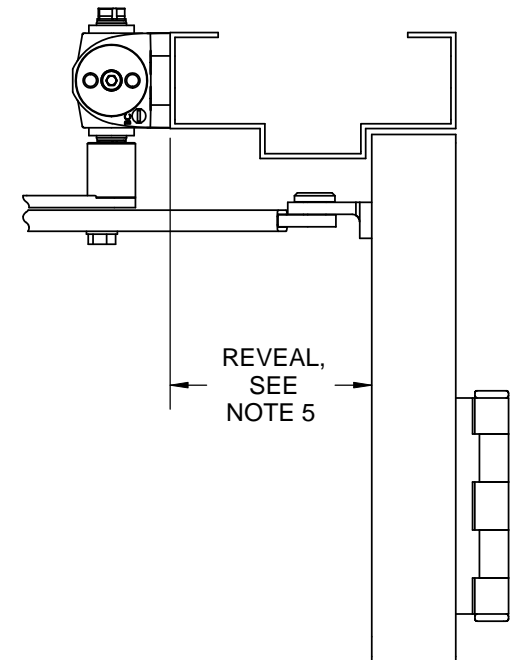
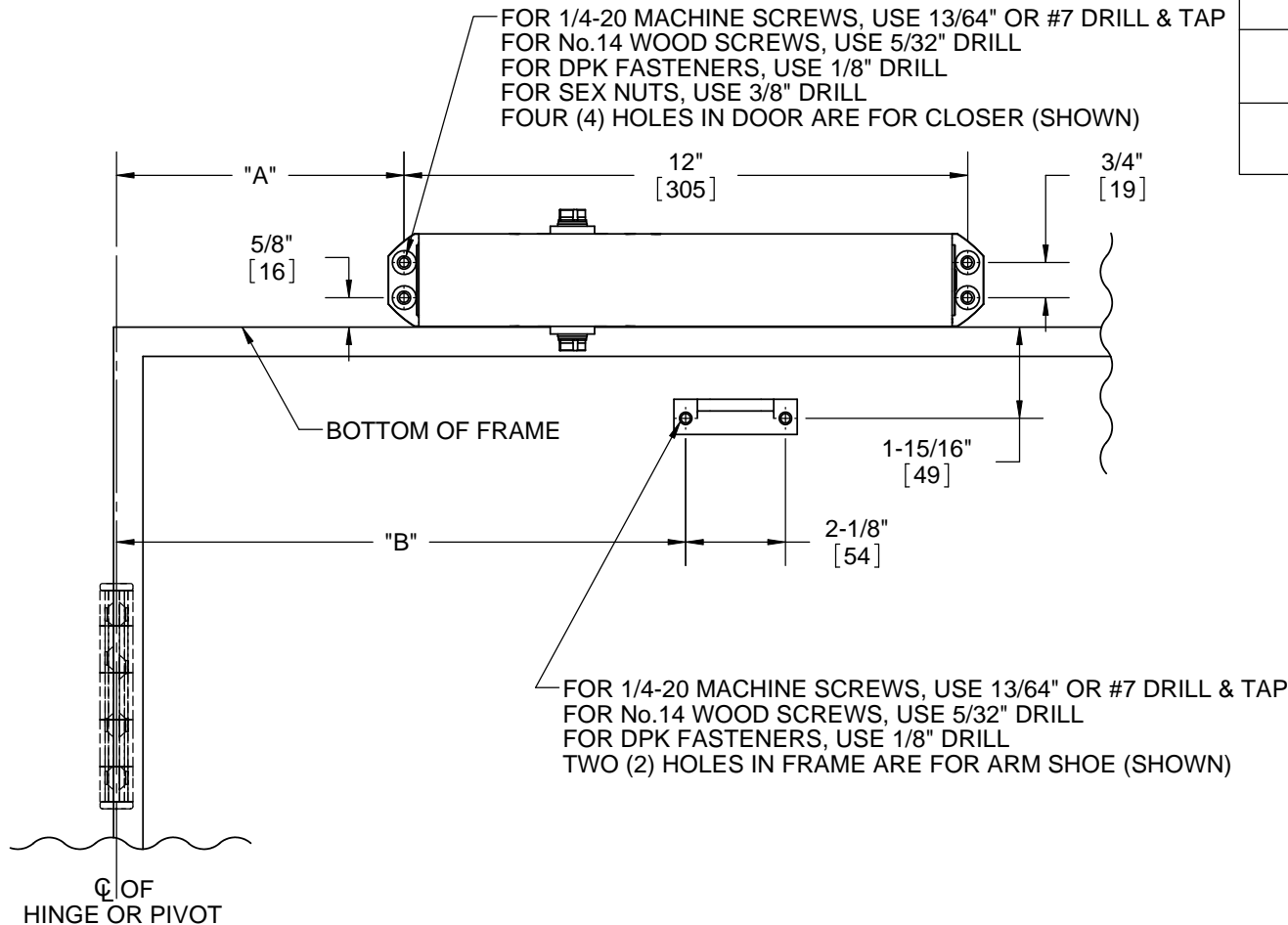


NOTES:

- 1) DO NOT SCALE THIS DRAWING
- 2) DIMENSIONS ARE IN INCHES / [MM]
- 3) LEFT HAND DOOR IS SHOWN
- 4) CAUTION: SEX NUTS ARE REQUIRED FOR ATTACHMENT OF COMPONENTS TO UNREINFORCED DOORS AND TO WOOD OR PLASTIC FACE COMPOSITE TYPE FIRE DOORS, UNLESS AN ALTERNATIVE METHOD IS IDENTIFIED IN THE INDIVIDUAL DOOR MANUFACTURER'S LISTINGS.
- 5) PLEASE SEE CATALOG FOR REVEAL INFORMATION.
- 6) OPTIONAL DPK FASTENERS (DPK86) FOR STEEL DOOR & FRAME ONLY.

ANGLE OF HOLD OPEN	ANGLE OF CUSHION	DIMENSION "A" (CLOSER)	DIMENSION "B" (ARM SHOE)
85°	86° - 88°	6-1/8" [156]	12-1/8" [308]
90°	91° - 93°	5-1/2" [140]	11-5/8" [295]
95°	96° - 98°	5-1/8" [130]	11-1/8" [283]
100°	101° - 103°	4-7/8" [124]	10-3/4" [273]
105°	106° - 108°	4-1/2" [114]	10-3/8" [264]
110°	111° - 113°	4-1/8" [105]	10-1/8" [257]



DOOR CLOSER MODELS: 8616 ISJH  
 TOP JAMB INSTALLATION (PUSH SIDE MOUNT)  
 INTEGRA CUSHION ARM

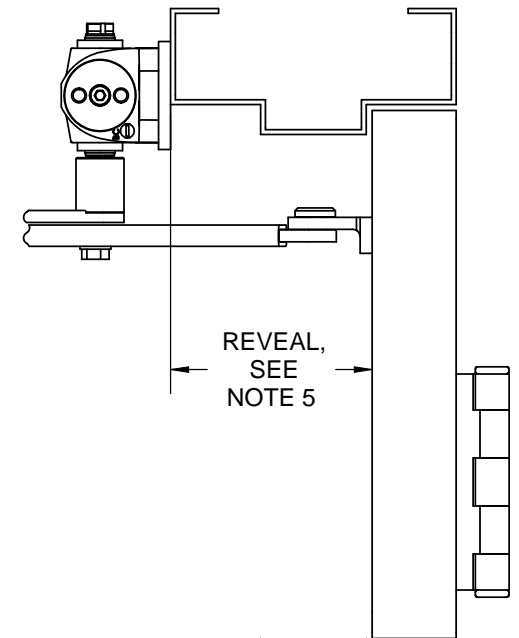
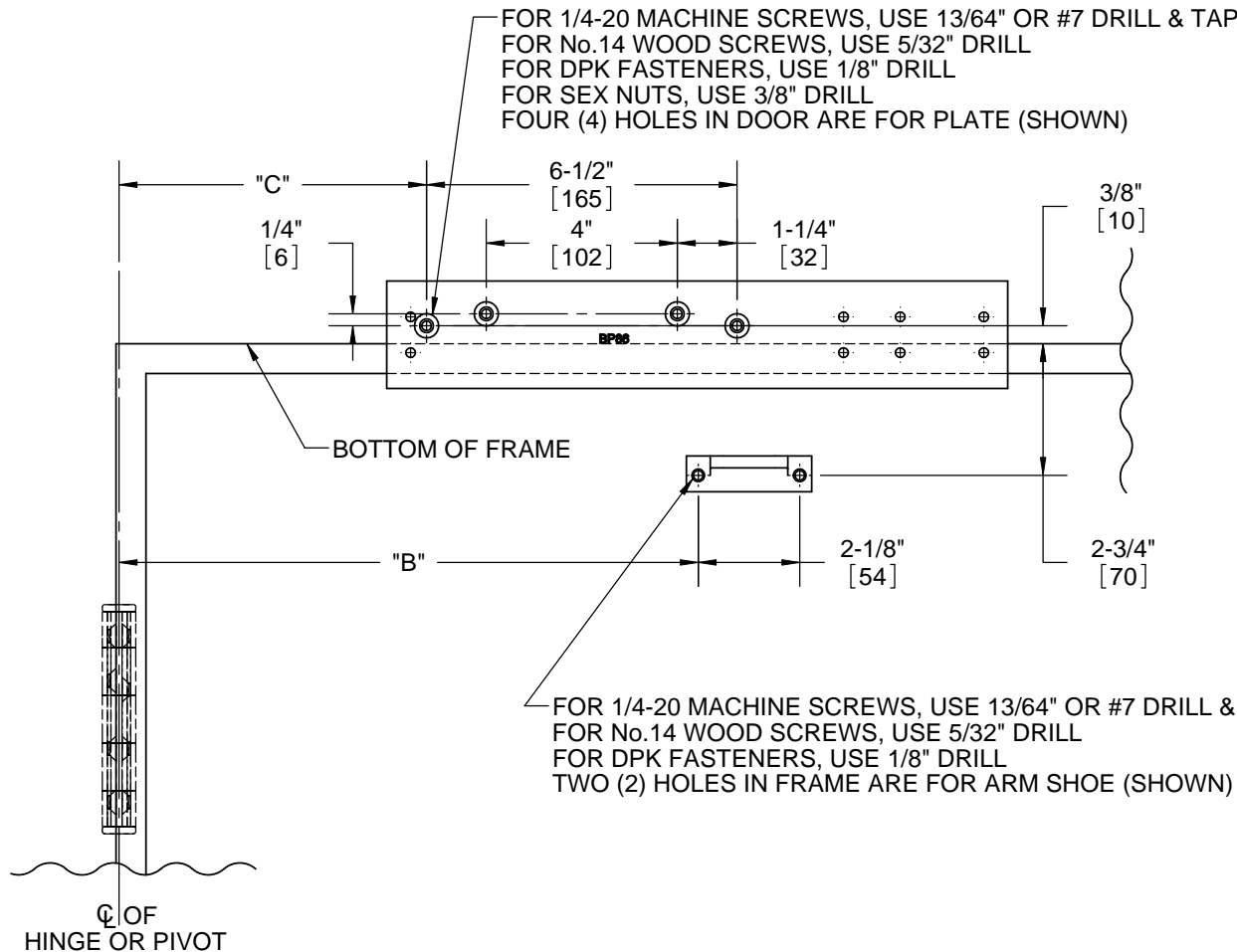


DORMA Architectural Hardware  
 Reamstown, PA 17567

NOTES:

- 1) DO NOT SCALE THIS DRAWING
- 2) DIMENSIONS ARE IN INCHES / [MM]
- 3) LEFT HAND DOOR IS SHOWN
- 4) CAUTION: SEX NUTS ARE REQUIRED FOR ATTACHMENT OF COMPONENTS TO UNREINFORCED DOORS AND TO WOOD OR PLASTIC FACE COMPOSITE TYPE FIRE DOORS, UNLESS AN ALTERNATIVE METHOD IS IDENTIFIED IN THE INDIVIDUAL DOOR MANUFACTURER'S LISTINGS.
- 5) PLEASE SEE CATALOG FOR REVEAL INFORMATION.
- 6) OPTIONAL DPK FASTENERS (DPK86) FOR STEEL DOOR & FRAME ONLY.

ANGLE OF HOLD OPEN	ANGLE OF CUSHION	DIMENSION "B" (ARM SHOE)	DIMENSION "C" (PLATE)
85°	86° - 88°	12-1/8" [308]	6-7/16" [164]
90°	91° - 93°	11-5/8" [295]	5-13/16" [148]
95°	96° - 98°	11-1/8" [283]	5-7/16" [138]
100°	101° - 103°	10-3/4" [273]	5-3/16" [132]
105°	106° - 108°	10-3/8" [264]	4-13/16" [122]
110°	111° - 113°	10-1/8" [257]	4-7/16" [113]



DOOR CLOSER MODELS: 8616 ISJH  
 TOP JAMB INSTALLATION (PUSH SIDE MOUNT)  
 WITH BACK PLATE BP86 & BP86FC  
 INTEGRA CUSHION ARM

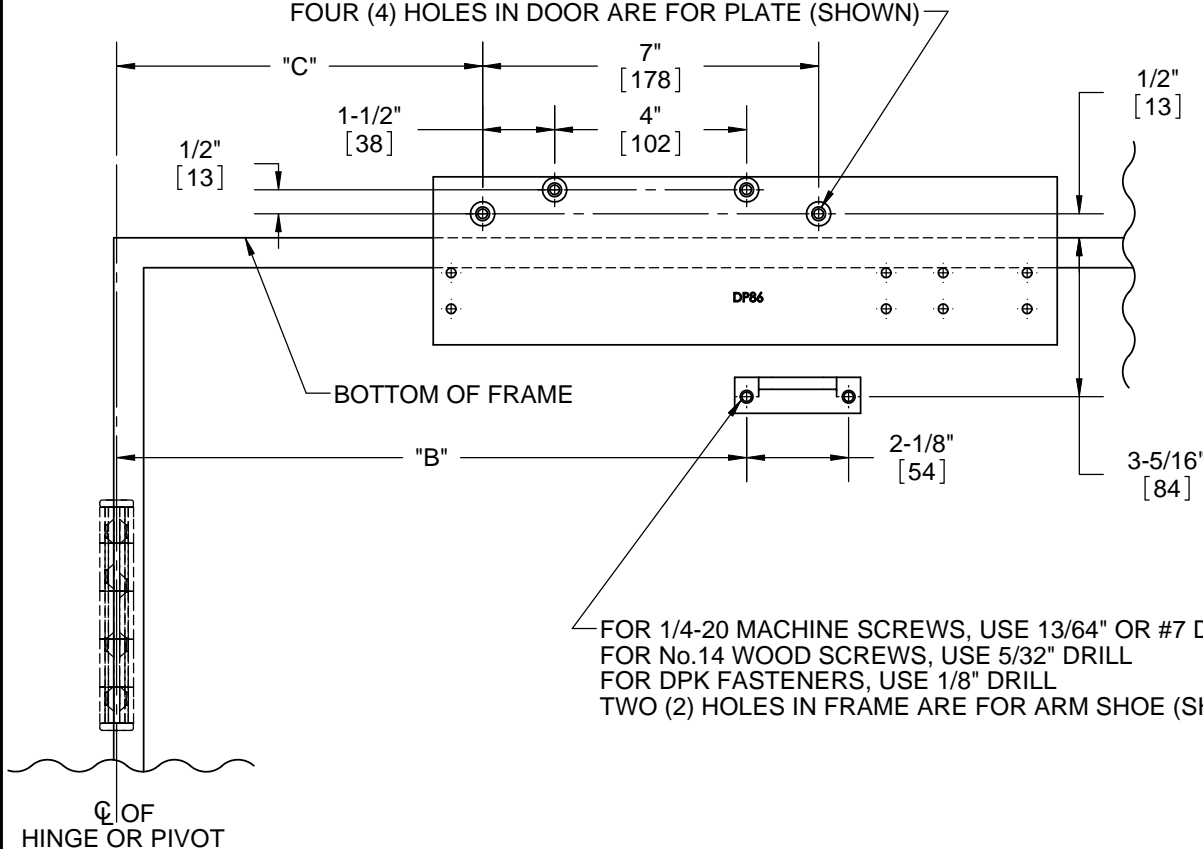


DORMA Architectural Hardware  
 Reamstown, PA 17567

NOTES:

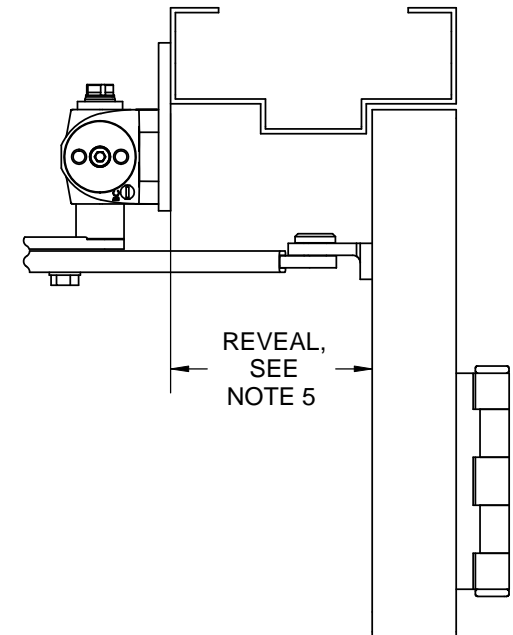
- 1) DO NOT SCALE THIS DRAWING
- 2) DIMENSIONS ARE IN INCHES / [MM]
- 3) LEFT HAND DOOR IS SHOWN
- 4) CAUTION: SEX NUTS ARE REQUIRED FOR ATTACHMENT OF COMPONENTS TO UNREINFORCED DOORS AND TO WOOD OR PLASTIC FACE COMPOSITE TYPE FIRE DOORS, UNLESS AN ALTERNATIVE METHOD IS IDENTIFIED IN THE INDIVIDUAL DOOR MANUFACTURER'S LISTINGS.
- 5) PLEASE SEE CATALOG FOR REVEAL INFORMATION.
- 6) OPTIONAL DPK FASTENERS (DPK86) FOR STEEL DOOR & FRAME ONLY.

FOR 1/4-20 MACHINE SCREWS, USE 13/64" OR #7 DRILL & TAP  
 FOR No.14 WOOD SCREWS, USE 5/32" DRILL  
 FOR DPK FASTENERS, USE 1/8" DRILL  
 FOR SEX NUTS, USE 3/8" DRILL  
 FOUR (4) HOLES IN DOOR ARE FOR PLATE (SHOWN)



FOR 1/4-20 MACHINE SCREWS, USE 13/64" OR #7 DRILL & TAP  
 FOR No.14 WOOD SCREWS, USE 5/32" DRILL  
 FOR DPK FASTENERS, USE 1/8" DRILL  
 TWO (2) HOLES IN FRAME ARE FOR ARM SHOE (SHOWN)

ANGLE OF HOLD OPEN	ANGLE OF CUSHION	DIMENSION "B" (ARM SHOE)	DIMENSION "C" (PLATE)
85°	86° - 88°	12-1/8" [308]	6-5/8" [168]
90°	91° - 93°	11-5/8" [295]	6" [152]
95°	96° - 98°	11-1/8" [283]	5-5/8" [143]
100°	101° - 103°	10-3/4" [273]	5-3/8" [137]
105°	106° - 108°	10-3/8" [264]	5" [127]
110°	111° - 113°	10-1/8" [257]	4-5/8" [117]



DOOR CLOSER MODELS: 8616 ISJH  
 TOP JAMB INSTALLATION (PUSH SIDE MOUNT)  
 WITH DROP PLATE DP86  
 INTEGRA CUSHION ARM



DORMA Architectural Hardware  
 Reamstown, PA 17567