



TS 73V
Door closer

Easy to install and with adjustable closing force, backcheck and delayed action

Easy to fix and even easier to adjust. The door closer for almost every door size and application.

Decades of experience have gone into the development of the dormakaba TS 73V. The result is user comfort coupled with outstanding versatility. It can be adjusted to suit almost all types of door. It can even be supplied with additional anti-corrosion protection for exposed applications or aggressive conditions. Fixing couldn't be easier and last but not least it's engineered for excellence.

Certified to ISO 9001

Benefits

For the trade

- Low inventory costs and reduced stocking requirement thanks to streamlined product range.
- Practical and effective solutions to meet special applications thanks to comprehensive choice of accessories.

For the user.

- Optimum wall and door protection thanks to "thinking" backcheck.
- Closing speed virtually unaffected by temperature fluctuations.
- Proportionately low opening resistance thanks to high mechanical efficiency.

For the installer

- Easy to fix.
- Can be "tailored" to the requirements of the door by simple adjustment.
- Just one model for RH (DIN-R, ISO 5) and LH (DIN-L, ISO 6) doors, and for standard and frame/lintel fixing.
- Spring strength range EN 3–6 to suit virtually every application.

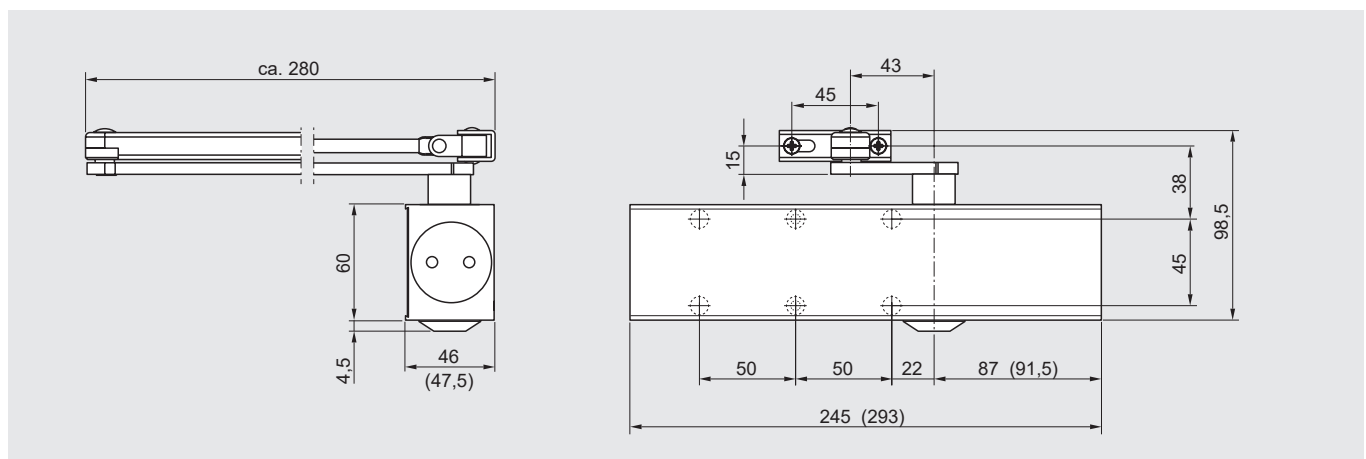
For the specifier/architect

- Compact closer design.
- Wide range of standard functions supplemented by optional extras.
- Suitable for fire doors.

Date and features		TS73V
Closing force	Spring strength	EN 2 – 4
Standard doors ¹⁾	≤ 1100 mm	●
External doors, outward opening ¹⁾	≤ 1100 mm	–
Fire and smoke check doors ¹⁾	≤ 1100 mm	●
Non-handed		●
Arm assembly	Standard	●
Closing force variable by means of adjustment screw		●
Closing speed adjustable at 2 separate valves	180° - 15°	●
	15° - 0°	●
Adjustable latching action by arm		●
Backcheck	Self-regulating	●
	Adjustable at valve	●
Delayed action variable at valve		●
Hold-open		○
Weight in kg		1.3
Dimensions in mm	Length	245
	Overall depth	46
	Height	60
Door closer tested to EN 1154		●
CE-mark for construction products		●
Approved to AS1905 Part1 Fire Resistant Doors		●

● yes – no ○ option

1). For applications involving particularly heavy or wide doors, and doors which have to close against wind resistance, we recommend the dormakaba TS 83.



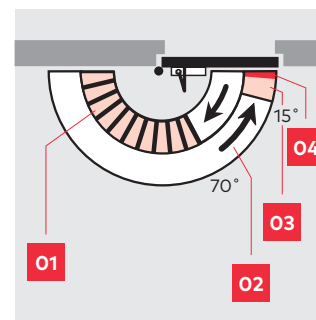
Standard and optional functions

With "thinking" backcheck – Model BC/ÖD

Thanks to an innovative design concept, the resistance developed by this backcheck system as the door is opened beyond approx. 70° is directly proportional to door acceleration.

It is almost imperceptible when the door is opened slowly. However, if the door is opened hastily, the backcheck responds in equal measure.

And if the door should be flung open at speed – whether deliberately, thoughtlessly, accidentally or as a result of a gust of wind – the backcheck reacts at full strength, protecting the wall and door from damage.

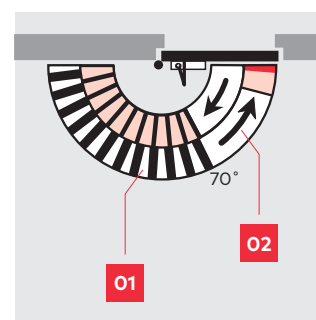
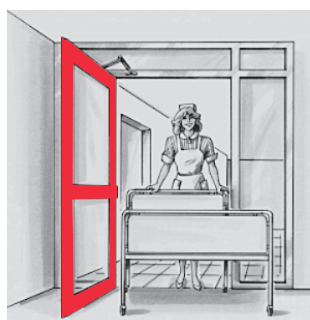


- O1** Self-regulating backcheck.
- O2** Infinitely variable closing speed in the range 180° – 15°
- O3** Infinitely variable closing speed in the range 15° – 0°.
- O4** Adjustable latch range (by arm).

With additional delayed action – Model BC/ÖD + DC/SV

This model with its additional, integrated delayed action enables the closing cycle to be retarded within an adjustable range from 180° – 70° so that disabled persons, mothers with prams and people carrying bulky items are able to pass through the door without difficulty.

This model can also be used for fire doors.

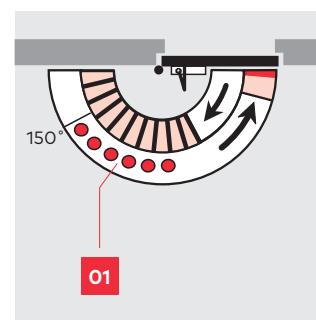
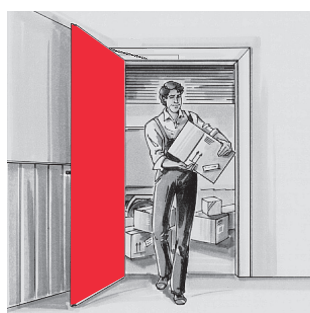


- O1** Adjustable delayed action.
- O2** Fully controlled closing with adjustable speed.

With hold-open – Model with hold-open arm

Combining the TS 73V with a hold-open arm enables the door to be held open at an appropriate angle (up to approx. 150°).

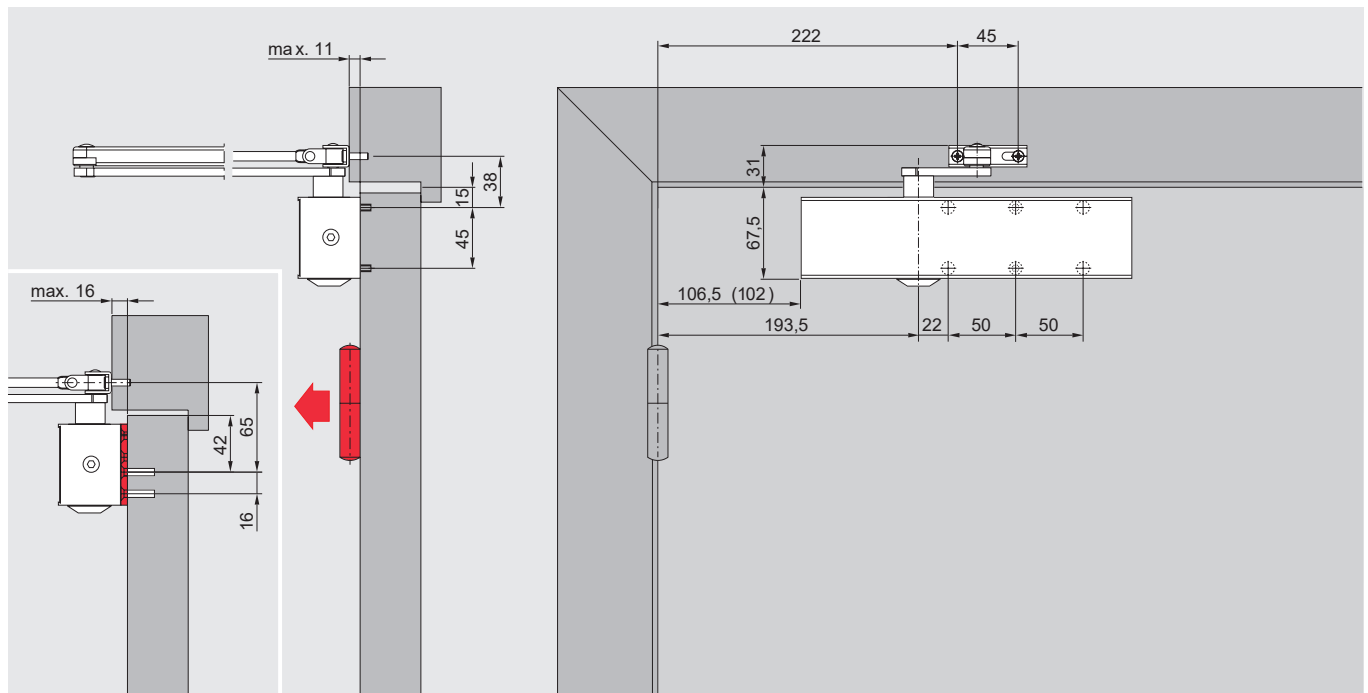
The hold-open function in the standard hold-open arm can be switched on and off by the user by simply pressing a switch.



- O1** Hold-open range.

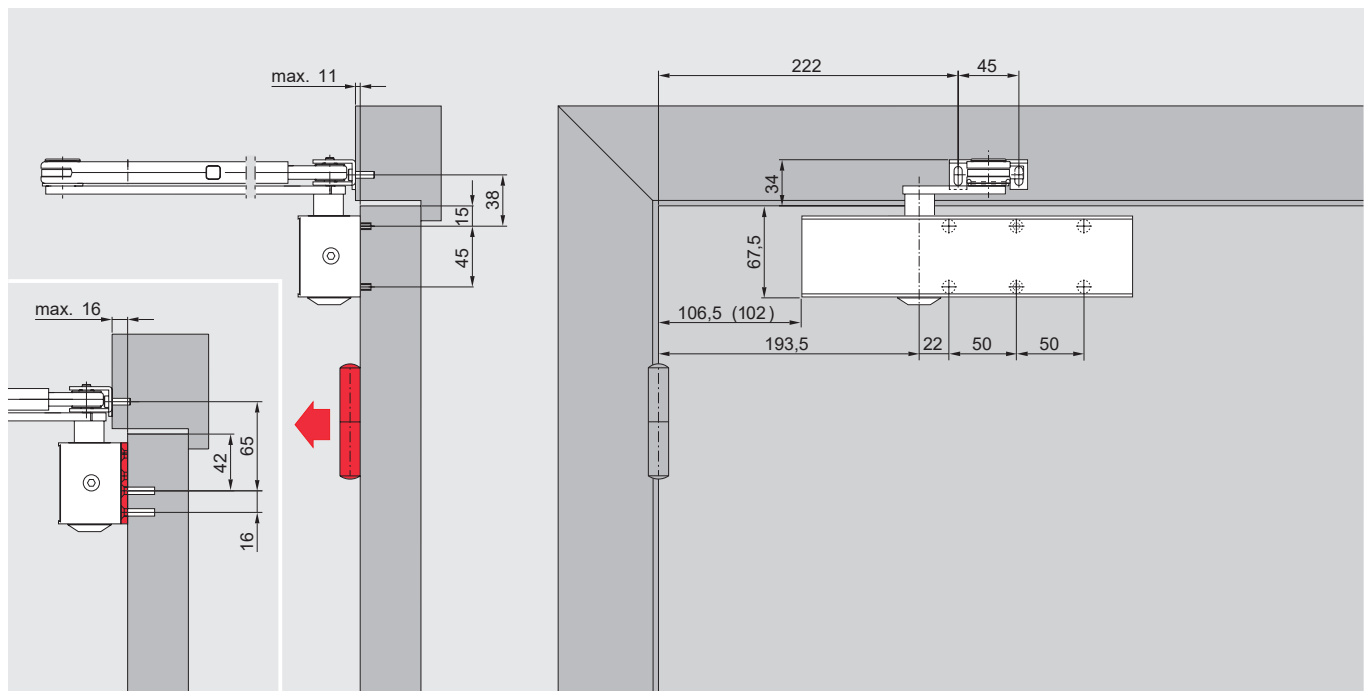
Note: Hold-open arms are not approved for fire and smoke check doors.

Door leaf fixing, pull-side



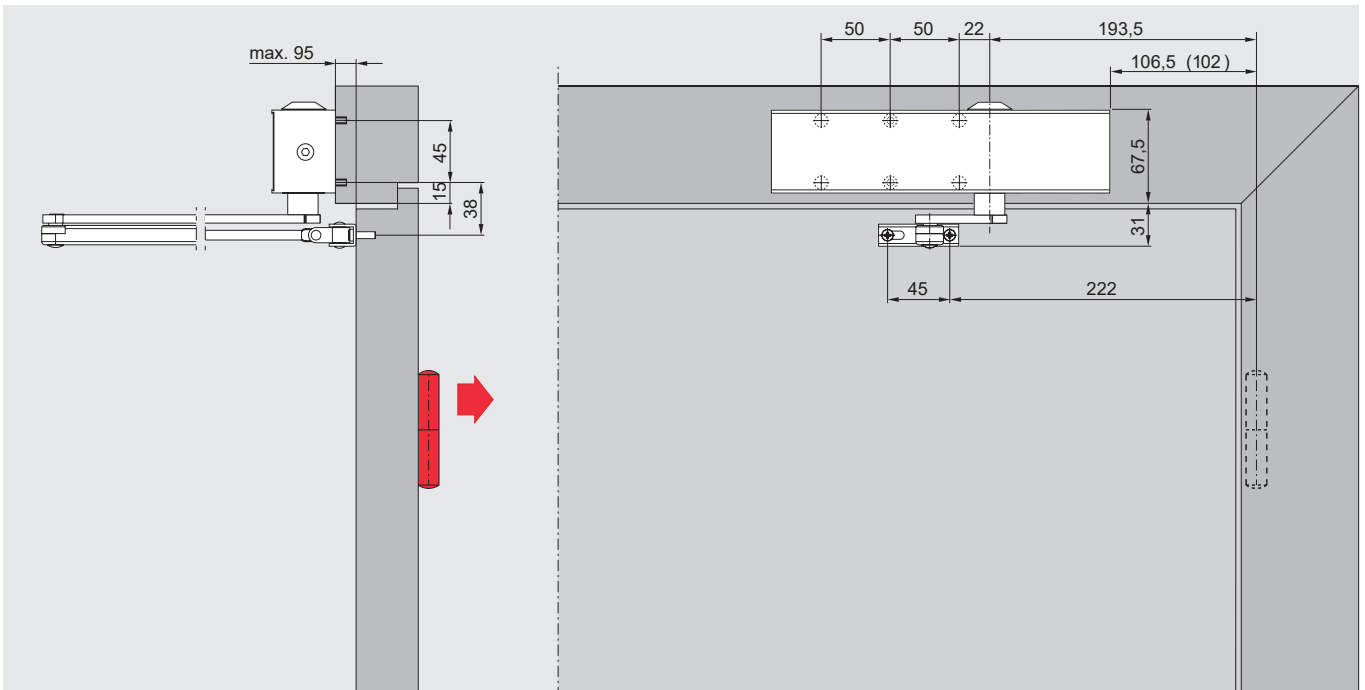
(example shows LH (ISO 6) door; RH (ISO 5) doors mirrored arrangement)

Door leaf fixing with hold-open arm



(example shows LH (ISO 6) door; RH (ISO 5) doors mirrored arrangement)

Transom fixing, push side



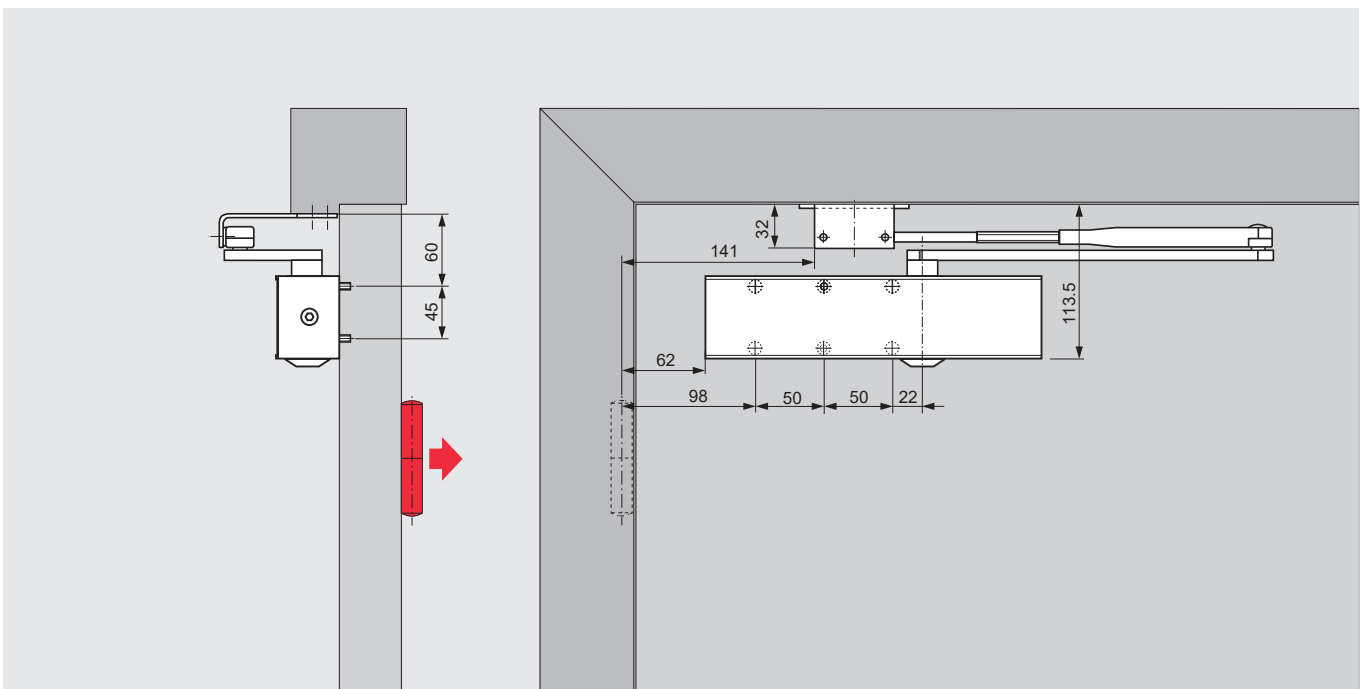
(example shows LH (ISO 6) door; RH (ISO 5) doors mirrored arrangement)

In the case of fire doors, door closers may only be transom-fixed where appropriate approval has been obtained in the form of a certificate or test report issued by an accredited testing agency.

Transom fixing:

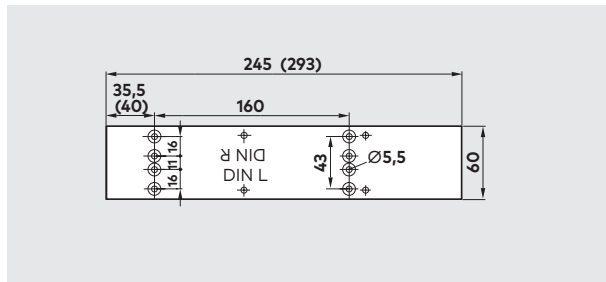
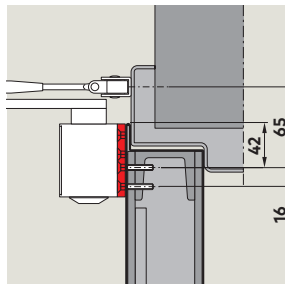
With transom-fixed closers, the backcheck only responds at between 85° and 90°, depending on the depth of reveal and type of door hinge involved; the delayed action, on the other hand, releases the door at an earlier point in its closing sweep.

Door leaf fixing, push side, parallel arm installation



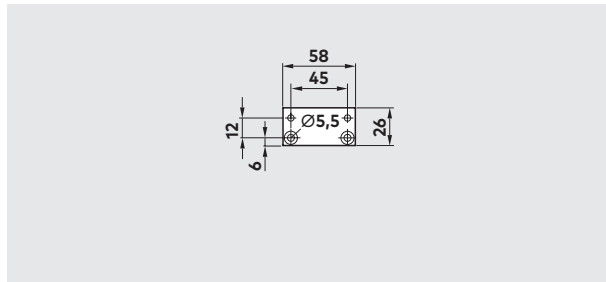
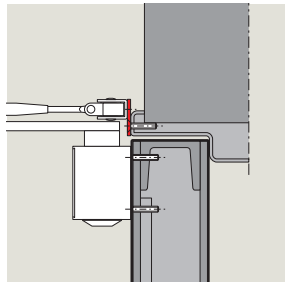
(example shows RH (ISO 5) door; LH (ISO 6) doors mirrored arrangement)

Accessories



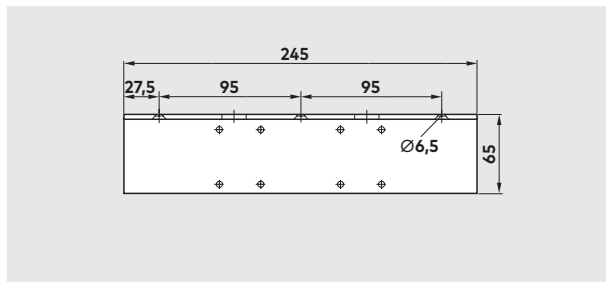
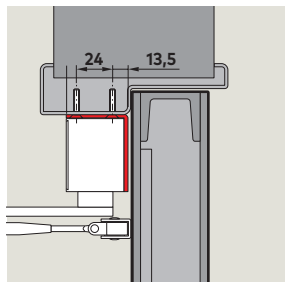
Mounting backplate TS 73 V / TS 83

For use with fire and smoke check doors and also as an intermediate plate when direct fixing to the door is not possible; with fixing hole pattern to EN 1154, supplement 1.



Arm bracket adapter plate TS 73 V / TS 83

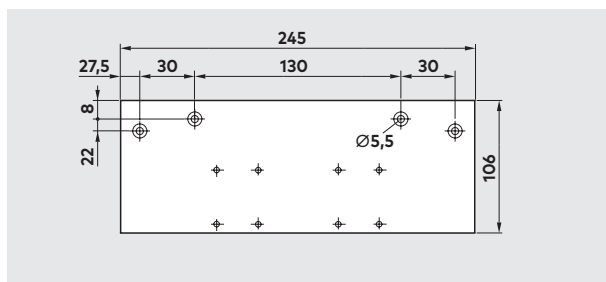
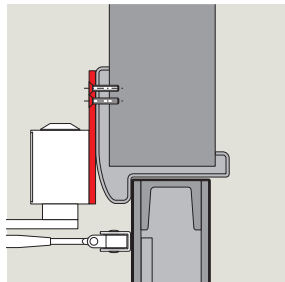
For fixing the arm bracket to particularly narrow door frames.



Angle bracket TS 73 V / TS 83

For frame/lintel fixing of the closer on the push side of doors with deep reveals.

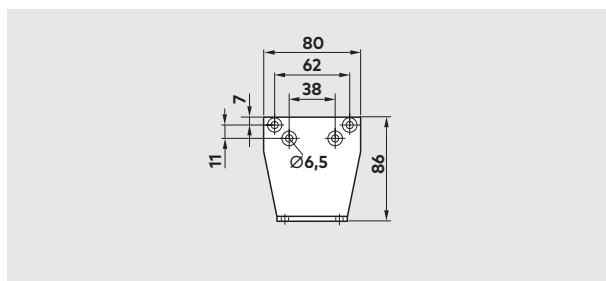
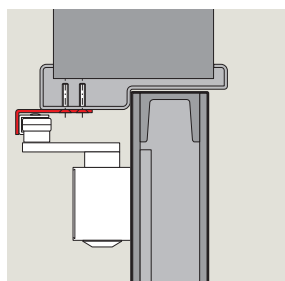
On fire and smoke check doors, proof of suitability required in relation to the individual door concerned.



Drop plate TS 73 V / TS 83

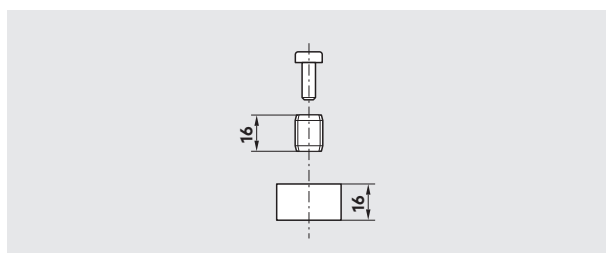
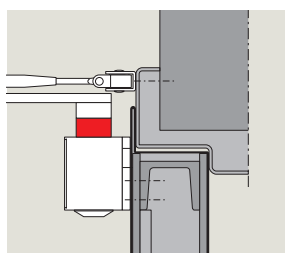
For installation on frame when direct fixing of closer is not possible.

On fire and smoke check doors, proof of suitability required in relation to the individual door concerned.



Parallel arm bracket TS 73 V / TS 83

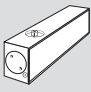



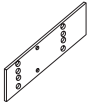
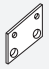
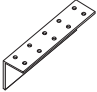
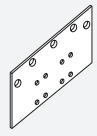


For parallel arm installation on the push side (see fixing instructions for dimensions).



Spindle extension TS 73 V / TS 83

For increasing the distance between the closer and the arm assembly in the case of doors with a high overlap; 16 mm high.

Supply and accessories information

Closer body TS 73V	Standard arm	Flat-form arm	Hold-open arm with on/off switch	Mounting back plate	Arm bracket adapter plate	Angle bracket	Drop plate	Parallel arm bracket	Spindle extension 16 mm
									
	□220023xx	□830001xx	□220030xx	380001xx	830014xx	380003xx	380002xx	280066xx	83003705
Size EN 1-4	(incl P.A) ■ 370204xx		(incl P.A) ■ 370233xx	△	△	△	△	△	△
■ 370201xx	■ □	■ □	■ □	△	△	△	△	△	△

Order No.

- = Body only
- = Arm only
- □ = Closer with arm, complete
- △ = Accessory

Colour

- xx
- Silver 01
- Gold 02
- Special colour 09
- Black P190

Specification text TS 73V EN 2 – 4

TS 73V rack and pinion door closer; with adjustable power size EN 2 – 4, according to EN 1154, carries the CE mark, integral self-regulating backcheck and adjustable delayed action; closing speed adjustable in two independent ranges and adjustable latch action.

Non-handed.

Make

dormakaba TS 73V

Model

- with standard arm
- with hold-open arm

Accessories

Colour

- Silver
- Gold
- Special colour
- Black P190



**Door
Hardware**



**Entrance
Systems**



**Electronic
Access & Data**



**Interior Glass
Systems**



**Lodging
Systems**



**Mechanical
Key Systems**



Safe Locks



Services

dormakaba South Africa
Head Office
2 Gravel Drive
Kya Sands Business Park
Kya Sands 2136
+27 11 510 1500
info.za@dormakaba.com
www.dormakaba.com/za-en

dormakaba Kenya
1st Floor Delta House
Watermark Business Park
Corner Langata & Ndege Roads
Karen Nairobi
+254 700 894406
info.ke@dormakaba.com