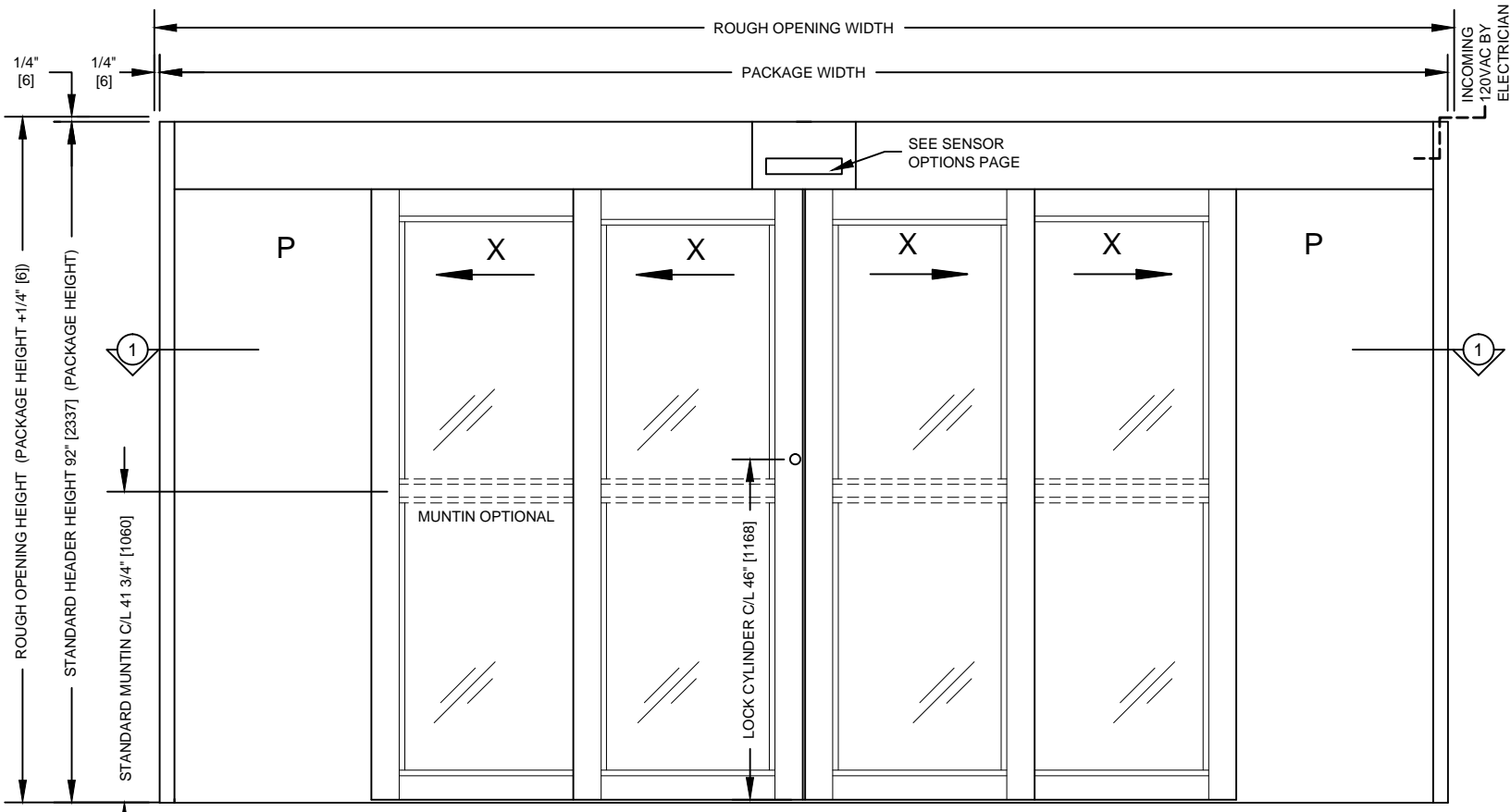
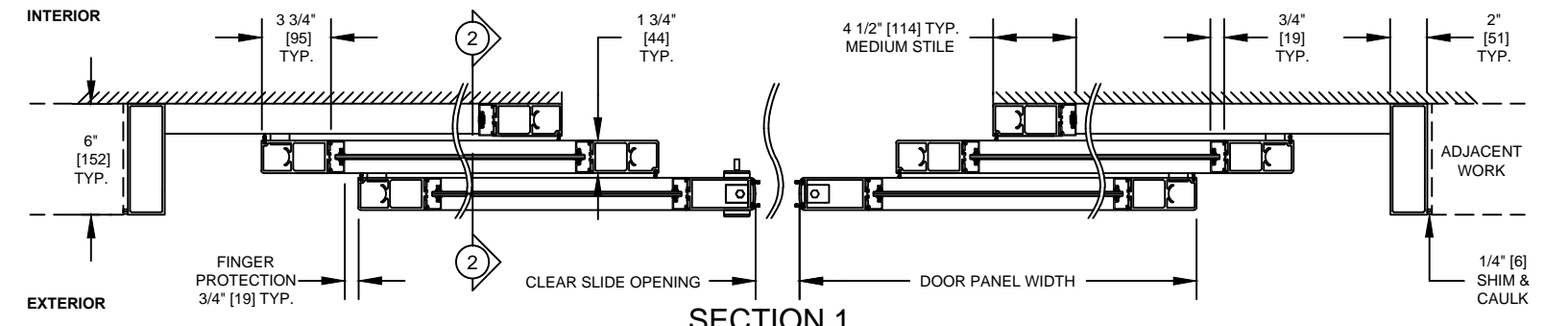


SECTION 2
TYPE: P-X-X-X-X-P



EXTERIOR ELEVATION
TYPE: P-X-X-X-X-P



SECTION 1
TYPE: P-X-X-X-X-P
DOOR SHOWN IN OPEN POSITION WITHOUT THRESHOLD

| Package Width | Rough Opening Width | Clear Slide Opening | Door Panel Width |
|----------------------|---------------------------|--|-----------------------------------|
| (15'-0") 180 [4572] | 180 1/2" [4585] | 90 1/16" [2288] | 32 1/4" [819] |
| (16'-0") 192" [4877] | 192 1/2" [4890] | 98 1/16" [2491] | 34 1/4" [870] |
| (18'-0") 216" [5486] | 216 1/2" [5499] | 114 1/16" [2897] | 38 1/4" [972] |
| (20'-0") 240" [6096] | 240 1/2" [6109] | 130 1/16" [3304] | 42 1/4" [1073] |
| Width Formulas | Package Width + 1/2" [13] | (Package Width x 2/3) - 29 15/16 [760] | (Package Width / 6) + 2 1/4" [57] |

- This Surface Applied Bi-part Telescopic door package consists of:
 - Operator:
 - Two combination motion/presence sensors (one on each side) (See sensor options page).
 - ESA II motor drive unit with self-learning and self-monitoring microprocessor controller.
 - Jamb mounted 5 function rocker switch panel (see mode switch options page).
 - Panels:
 - 4-1/2" [114] Medium stile door panels (including 3/4" [19] wide glass stop).
 - 3-1/4" [83] Optional muntin mounted at 41-3/4" [1060] centerline on all panels (including 3/4" [19] wide glass stop).
 - 4" [102] Bottom rails (including 3/4" [19] wide glass stop).
 - 2" [51] x 6" [152] Smooth jambs.
 - Vertical and horizontal brush type weather stripping (AAMA-701-11Class A).
 - Manual mortise lock with thumb turn and key cylinder.
 - 3/4" [19] wide snap-in glass stops for glazing from 1/4" [6] to 1-1/4" [32] thick at 1/8" [3] increments.
 - Non-breakaway sliding door panels (X) and vertical pocket tubes (P).
 - Finishes:
 - Clear anodized (BHMA 204).
 - Dark Bronze anodized (BHMA 313).
- Typical Package Options:
 - Finishes: special anodized, PVDF (wet) paint, powder coat, and cladding available for header, panels and jambs only.
 - Muntins: multiple muntins, various heights, locations and recessed exit device.
 - Bottom Rails: 7" [178], 10" [254]. Other options available.
 - Santoprene rubber weather stripping available.
 - Locking and Security Options:
 - Fail-safe autolock sliding carrier lock concealed in header.
 - 2-point lock and reinforced strike.
 - Security contacts.
 - Keyed mode switch panel (5 function or 3 function) (see mode switch options page).
- Dimensions:
 - Drawing dimensions are in English & Metric units. Metric units are displayed as: 1" [25] millimeters.
 - Typical Package Dimensions (Glass thickness may be limited by panel size):
 - Each door package is manufactured to your custom size requirements.
 - Package Width: Min. 14'-6" [4419] to Max. 16' [4877].
 - Header Height: Min. 7'-5 1/8" Max. 10' [2234].
 - X Panel Weight: Max. Weight 280 lbs [127kg].
 - Maximum special application limits: (Sizes may be restricted due to complexity and application) (Please contact Dorma Architectural Services for dimensions outside of typical sizes above).
 - Package Width: Max. 21' [6401].
 - Header Height: Max. 12' [3658].
 - X Panel Width: Max. Width 72" [1829].
- Power Requirements:
 - 120V +/- 10%, 50/60 Hz, 6.6A peak, 250 W. Up to 4 operators on a single 20A breaker. Service to header by electrician.
- Standards of Compliance:
 - UL 325 & CSA 22.2 (listed with ETL).
 - Designed to comply with these standards depending on installation and application:
 - International Building Code (Section 1008).
 - ANSI/ BHMA 156.10.
 - NFPA 101 Life Safety Code (Section 7.2.1.9).
 - Refer to Local, State, National or AHJ. Building Code for minimum door height and minimum/maximum width allowable for egress requirements.
- Contact Dorma Architectural Services for more information:
 - Email: Autosupport@dorma-usa.com
 - Phone: 1(844)773-2669