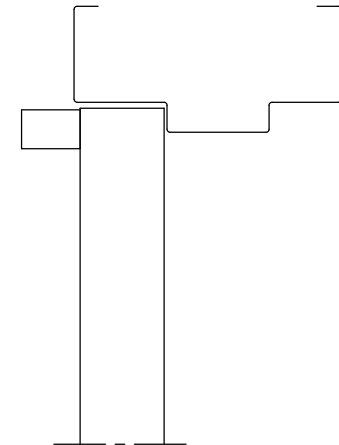
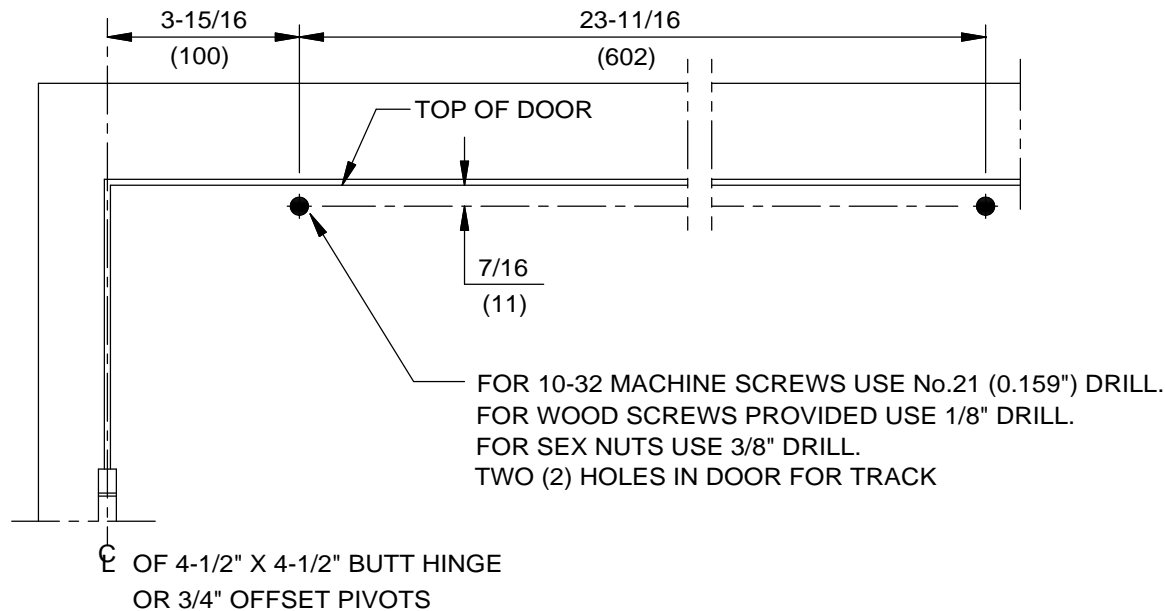


NOTES:

1. DO NOT SCALE DRAWING.
2. DIMENSIONS ARE IN INCHES/(MM).
3. RIGHT HAND DOOR SHOWN.
4. ADEQUATE REINFORCEMENT BY OTHERS REQUIRED TO INSTALL CLOSER IN POCKET.
5. ADJUST CLOSER SPRING TENSION FOR PROPER CLOSING AND LATCHING OF DOOR.
6. CAUTION: SEX NUTS RECOMMENDED FOR ATTACHMENT OF COMPONENTS ON UNREINFORCED DOORS, COMPOSITE DOORS OR LABELED FIRE DOORS.

DOOR SHOWN IN CLOSED POSITION



DOOR CLOSER MODEL: TS93-5 PKT 170
120° - 170° POCKET DOOR INSTALLATION (PULL SIDE MOUNT)
DOOR CLOSER APPLIED TO WALL



DORMA Architectural Hardware
Reamstown, PA 17567

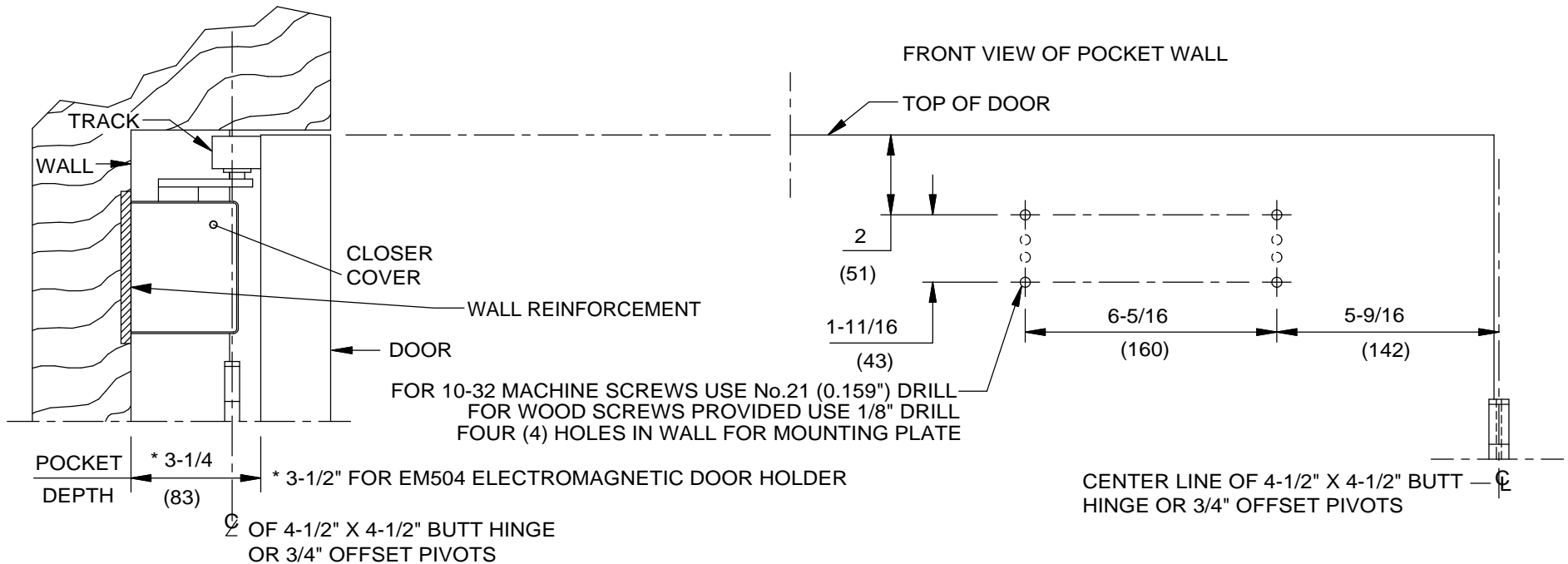
WALL REINFORCEMENT:

The wall reinforcement must be 1/4" thick steel or 3/4" thick wood and secured to a minimum of two wall studs with two screws securing the reinforcement into each stud.

The reinforcement may be flush on wall surface or on the interior of the wall. (FOR INTERIOR REINFORCEMENT, SCREWS MUST PROVIDE A MINIMUM OF 1/2" PENETRATION IN WOOD OR 1/4" MINIMUM PENETRATION INTO STEEL).

For a masonry wall, the reinforcement may be secured to the wall with four screws (ONE IN EACH CORNER) in lead anchors placed in the wall.

NOTE: IF REINFORCEMENT IS ON THE INTERIOR OF THE WALL LONGER SCREWS MAY BE REQUIRED FOR PROPER SCREW PENETRATION.



SIDE VIEW, DOOR OPEN TO
 MAXIMUM OPENING (120° TO 170°)



DORMA Architectural Hardware
 Reamstown, PA 17567