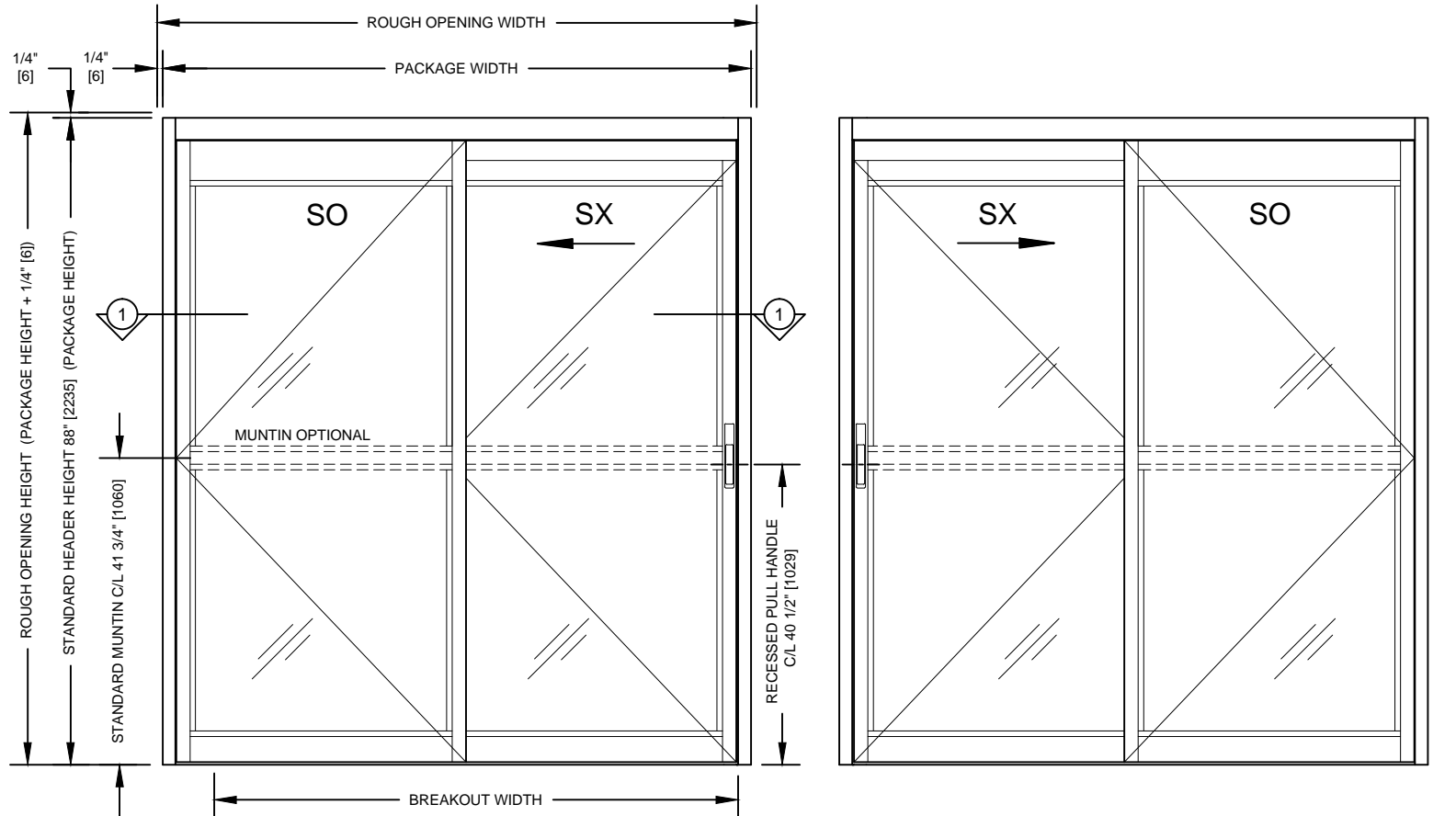
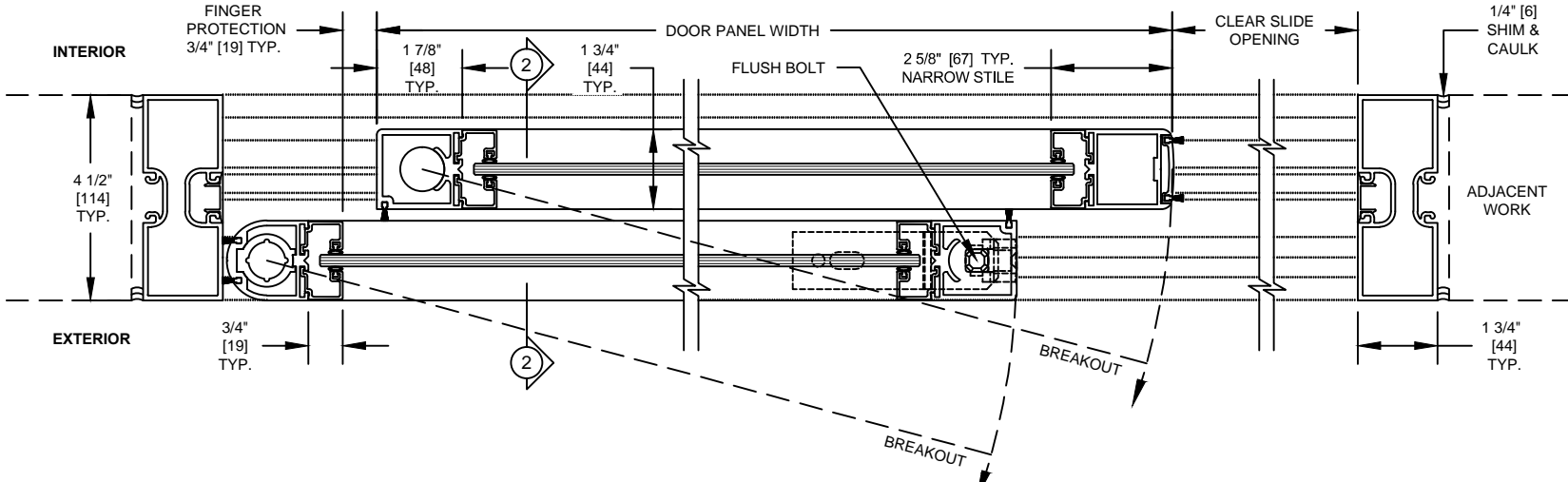


SECTION 2
TYPE: SO-SX, SX-SO
(RECESSED)



EXTERIOR ELEVATION
TYPE: SO-SX, SX-SO



SECTION 1
TYPE: SO-SX SHOWN, SX-SO OPPOSITE
DOOR SHOWN IN OPEN POSITION

FLUSH BOLT IN SIDELIGHT MUST BE
THROWN TO RELEASE FULL BREAKOUT

- This Standard Single door package consists of:
 - Panels:
 - 2-5/8" [67] Narrow stile door panels (including 3/4" [19] wide glass stop).
 - 3-1/4" [83] Optional muntin mounted at 41-3/4" [1060] centerline on all panels (including 3/4" [19] wide glass stop).
 - Recessed pull handle on SX panel.
 - 4" [102] Bottom rails (including 3/4" [19] wide glass stop).
 - 1-3/4" [44] x 4-1/2" [114] Double pocket jambs.
 - Vertical and horizontal brush type weather stripping (AAMA-701-11Class A).
 - 3/4" [19] wide snap-in glass stops for glazing from 1/4" [6] to 1-1/4" [32] thick at 1/8" [3] increments.
 - ADA Compliant recessed track and threshold 1/2" [13] x 4 1/2" [114].
 - Breakaway sliding door panels (SX) and breakaway sidelights (SO) panels.
 - Limit arm on SX and SO Panels.
 - Flush Bolt on SO panels.
 - Finishes:
 - Clear anodized (BHMA 204).
 - Dark Bronze anodized (BHMA 313).
- Typical Package Options:
 - Positive Latch options: (see options page).
 - Jamb Latch.
 - Concealed.
 - Finishes: special anodized, PVDF (wet) paint, powder coat, and cladding available.
 - Muntins: multiple, various heights, and locations.
 - Bottom Rails: 7" [178], 10" [254]. Other heights available.
 - Smoke rated Package available.
 - Locking and Security Options:
 - Manual two point mortise lock with thumb turn and key cylinder.
 - Security contacts.
 - Jambs: 1 3/4" [44] x 4-1/2" [114] Smooth jambs.
- Drawing Notes:
 - Drawing dimensions are in English & Metric units. Metric units are displayed as: 1" [25] millimeters.
 - Typical package dimensions: (Glass thickness may be limited by panel size)
 - Each door package is manufactured to your custom size requirements.
 - Package Width: Min. 6'-6" [1981] to Max. 9' [2743].
 - Header Height: Min. 7' [2134] to Max. 9' [2743].
 - Panel Weight: Max. Weight 200 lbs [90kg].
 - SX Panel Size Limit = (SX Panel Width x Weight) < 800 ft-lbs [1084 N-m] Max.
- Standards of Compliance:
 - Designed to comply with these standards depending on installation and application:
 - International Building Code (Section 1008).
 - NFPA 101 Life Safety Code (Section 7.2.1.9).
 - Refer to Local, State, National or AHJ. Building Code for minimum door height and minimum/maximum width allowable for egress requirements.
 - Minimum ADA is 32" clear slide opening.
- Contact Dorma Architectural Services for more information:
 - Email: SPECNOW@dorma.com
 - Phone: 1-844-SPEC-NOW (1-844-773-2669)

Package Width	Rough Opening Width	Clear Slide Opening	Door Panel Width	Breakout Width
(7'-0") 84" [2134]	84 1/2" [2146]	35 3/8" [898]	41 7/16" [1053]	76 3/4" [1949]
(8'-0") 96" [2438]	96 1/2" [2451]	41 3/8" [1050]	47 7/16" [1205]	88 3/4" [2254]
(9'-0") 108" [2743]	108 1/2" [2756]	47 3/8" [1203]	53 7/16" [1357]	100 3/4" [2559]
Width Formulas	(Package Width) + 1/2" [13]	(Package Width / 2) - 6 5/8" [168]	(Package Width / 2) - 9/16" [14]	(Package Width) - 7 1/4" [184]