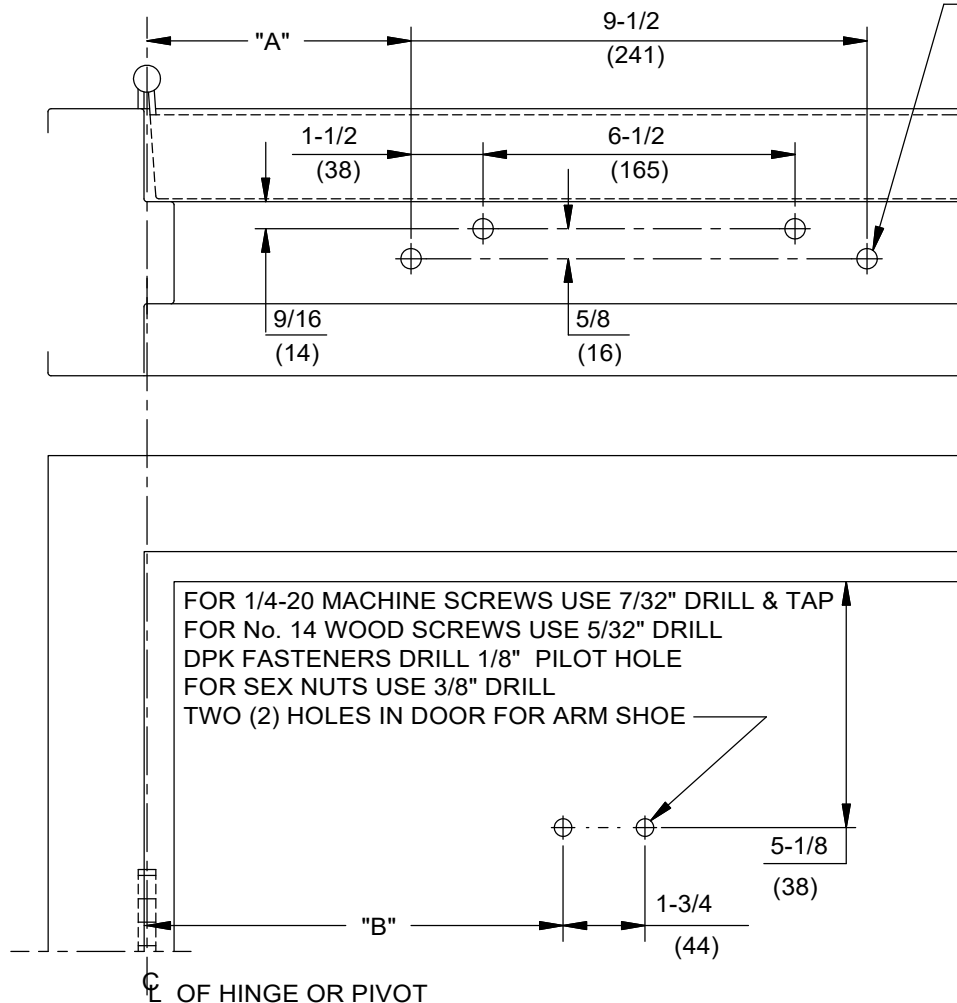
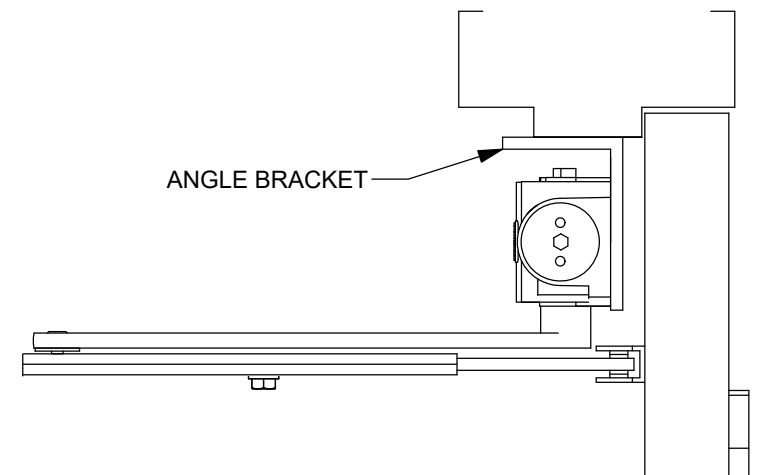


ANGLE OF OPENING	BRACKET	ARM SHOE
TO 100°	9-1/2 (241)	12-5/8 (321)
OVER 100°	5-1/2 (140)	8-5/8 (219)



NOTES:

1. DO NOT SCALE DRAWING.
2. LEFT HAND DOOR SHOWN.
3. DIMENSIONS ARE IN INCHES/(MM).
4. CAUTION: SEX NUTS ARE REQUIRED FOR ATTACHMENT OF COMPONENTS TO UNREINFORCED DOORS AND TO WOOD OR PLASTIC FACED COMPOSITE TYPE FIRE DOORS, UNLESS AN ALTERNATIVE METHOD IS IDENTIFIED IN THE INDIVIDUAL DOOR MANUFACTURER'S LISTINGS.
5. **OPTIONAL DPK FASTENERS (DPK89) FOR STEEL DOOR & FRAME ONLY.**



DOOR CLOSER MODELS: 8916, 8956 AB89
 TOP JAMB INSTALLATION (PUSH SIDE MOUNT)
 WITH AB89 ANGLE BRACKET