

ITS 900

Integrated Cam-action Door Closer



Quality-assured integrated door closer

ITS 900 Cam-action door closer is designed and manufactured to high quality standards to meet the growing demand for an economical solution of high-performance concealed overhead door closer with standard features.

The compact design of the closer body and slide-channel arm assembly allows it to be installed in the door or frame, making it virtually invisible; and depending on the door construction, it can

be used on almost any type of door with a thickness of 45mm or more. ITS 900 offers all the benefits of advanced technology with the proven heart-shaped cam which ensures that the closing and opening of the door are easy to use for everyone.

ITS 900 provides the reliability and quality which all dormakaba products are well-known for.

Plus Points

For the trade

- Hassle-free ordering and inventory management – Closer body (non-handed) and slide-channel arm assembly in one box for ease of handling.

For the installer

- Ease of installation – Compact concealed cam-action (non-handed system) door closer with identical mounting position for both EN 3 and EN 4.
- Easy adjustment of the two closing speeds separately.

For the architect/specifier/designer

- Innovative engineering and design by dormakaba
- Compliance with statutory requirements for barrier-free building (C UL US Listed and tested to EN 1154 by the State Material Testing Authority, Dortmund, Germany).
- Unblemished appearance of prestige doors – concealed installation.

For the user

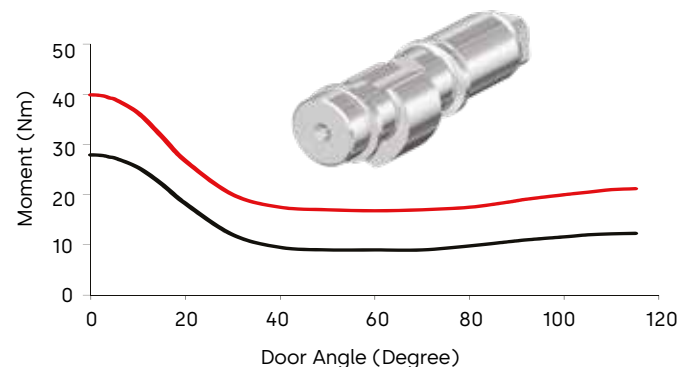
- Barrier-free with dormakaba Easy Open technology – Easy access for all users and for children, seniors and the physically-disabled.
- Convenience and Comfort – optional hold-open device and cushioned limit stay.
- Enhanced protection against vandalism – concealed installation.



easy open

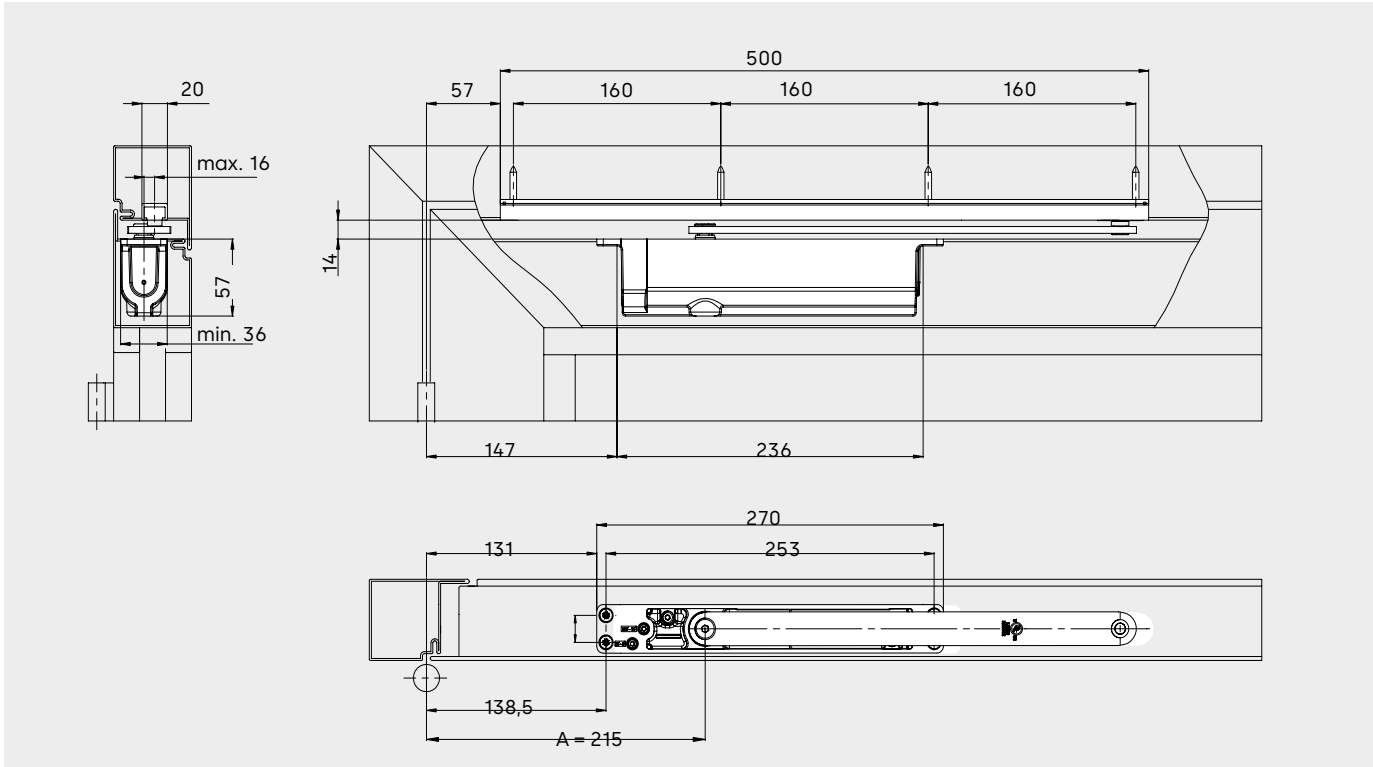
Features	Size 3	Size 4
First Closing Speed adjustable by valve	●	●
Second Closing Speed adjustable by valve	●	●
Maximum door opening angle	approx. 115°	
Closer width (mm)	36	
Body length (mm)	230	
Door leaf thickness	≥ 45 mm	
Max door leaf weight (kg)	80	90
Max Door Width (mm)	950	1,100
Slide Channel	●	●
Non-handed design	●	●
Dimension (mm)	Length Width Height	267 36 57
Cushioned limit stay	●	●
Hold Open	○	○
C UL US listed	●	●

● Yes ○ Option



Moment profile of an ITS 900 cam-action door closer (Size 4)

— Opening Moment
— Closing Moment

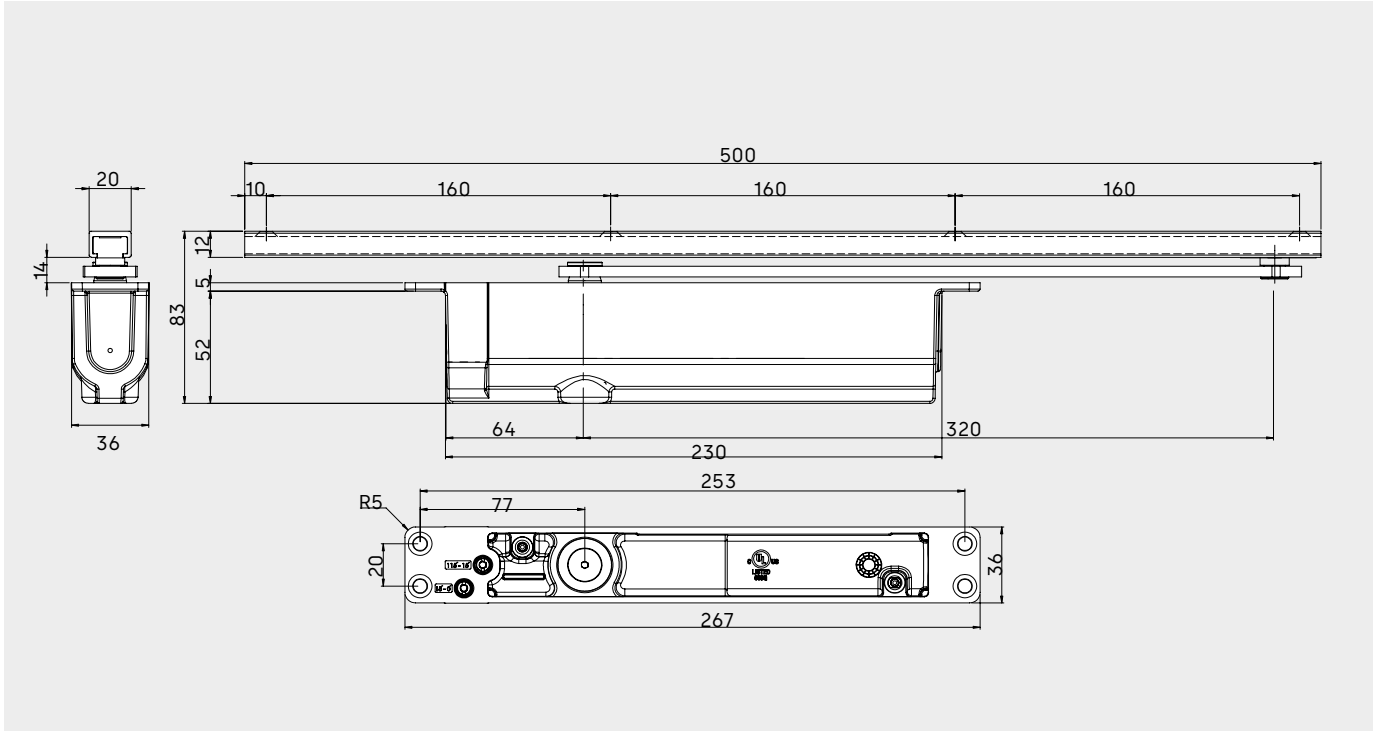


ITS 900 door closer with slide channel in an aluminum-framed door.
 Example: Anticlockwise-closing (ISO 6) door; mirror image applies to clockwise-closing (ISO 5) doors.

ITS 900 Range of equipment

ITS 900	Size 3	52740150
ITS 900	Size 4	52750150
Hold-Open Unit for ITS 900		52009301

ITS 900 Size 3 and Size 4



Engineering at its best for easy access

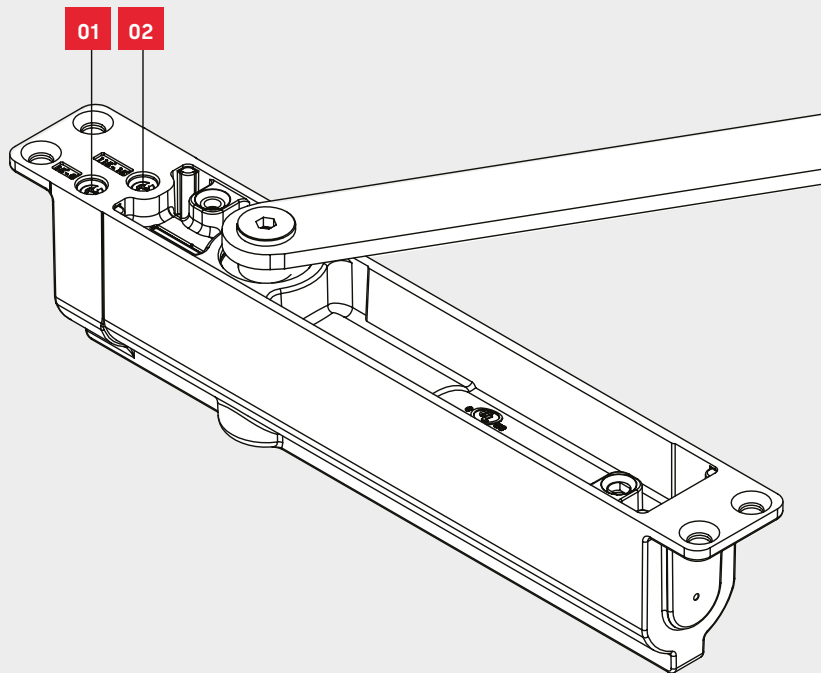
Engineered by dormakaba, the inventor and leader of cam-action door closers, ITS 900 concealed door closer ensures that the door can be opened with exceptional ease for effortless access. The compact ITS 900 can be installed for complete visual concealment in the door and frame. The system is optimally designed with selective strengthening of the closer body and a slim slide channel. At the same time, it offers the

same level of user-convenience expected from high-quality door closers, combined with a wide range of functionality. Its slender inclined body means that it can be easily installed in virtually all doors with a leaf thickness of 45 mm or more, while it can operate doors of size 3 or 4 with the same mounting locations. It offers easy adjustment with two independent valves.

Valve adjustment for solid closing performance

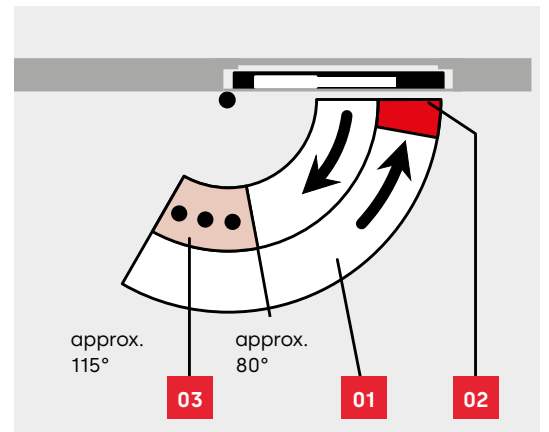
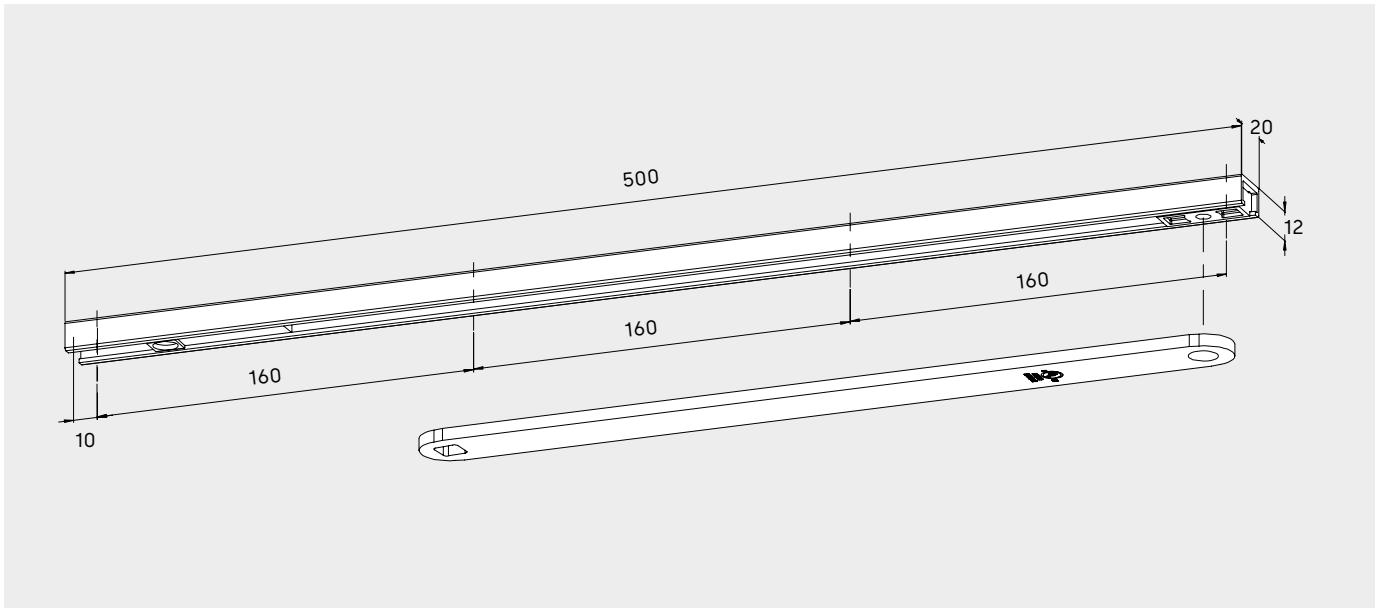
Adjustment settings

The first and second closing speeds of the dormakaba ITS 900 can be adjusted at any time, even after the door has been hung.



- 01 Valve for adjusting the first closing speed (115°–15°)
- 02 Valve for adjusting the second closing speed (15°–0°)

Slide channel



- 01 First adjustable closing speed
- 02 Second adjustable closing speed
- 03 Cushioned limit stay

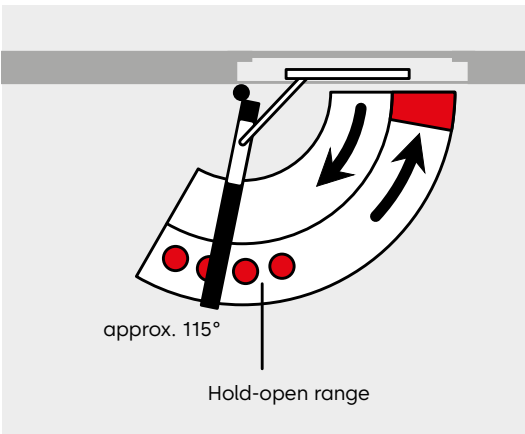
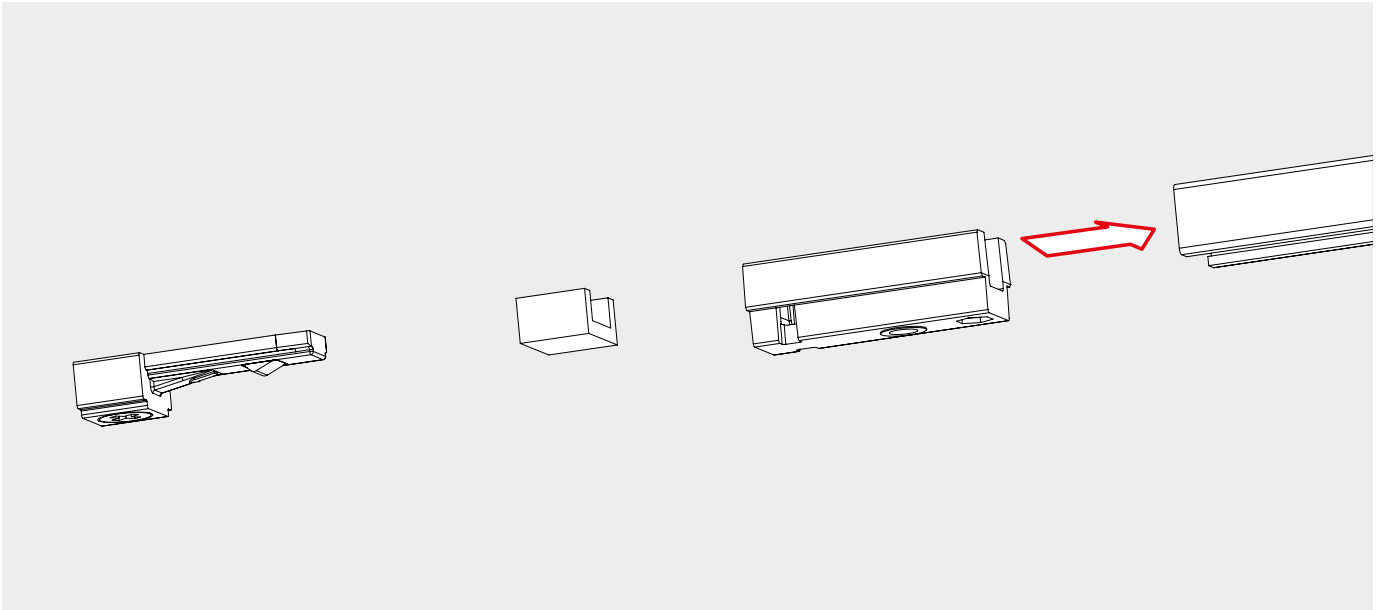
The ITS 900 pack includes the arm, slide channel, slide block, cushioned limit stay and fixing screws.

Cushioned limit stay

The mechanically-integrated cushioned limit stay of ITS 900 is progressively damped to protect the wall and doors from damage when the door is opened too wide (under conditions of normal usage). It can be adjusted to an opening angle between approximately 80° and a maximum of 115°.

The cushioned limit stay feature is not an overload protection device and in many cases cannot replace a doorstop.

Hold-open unit

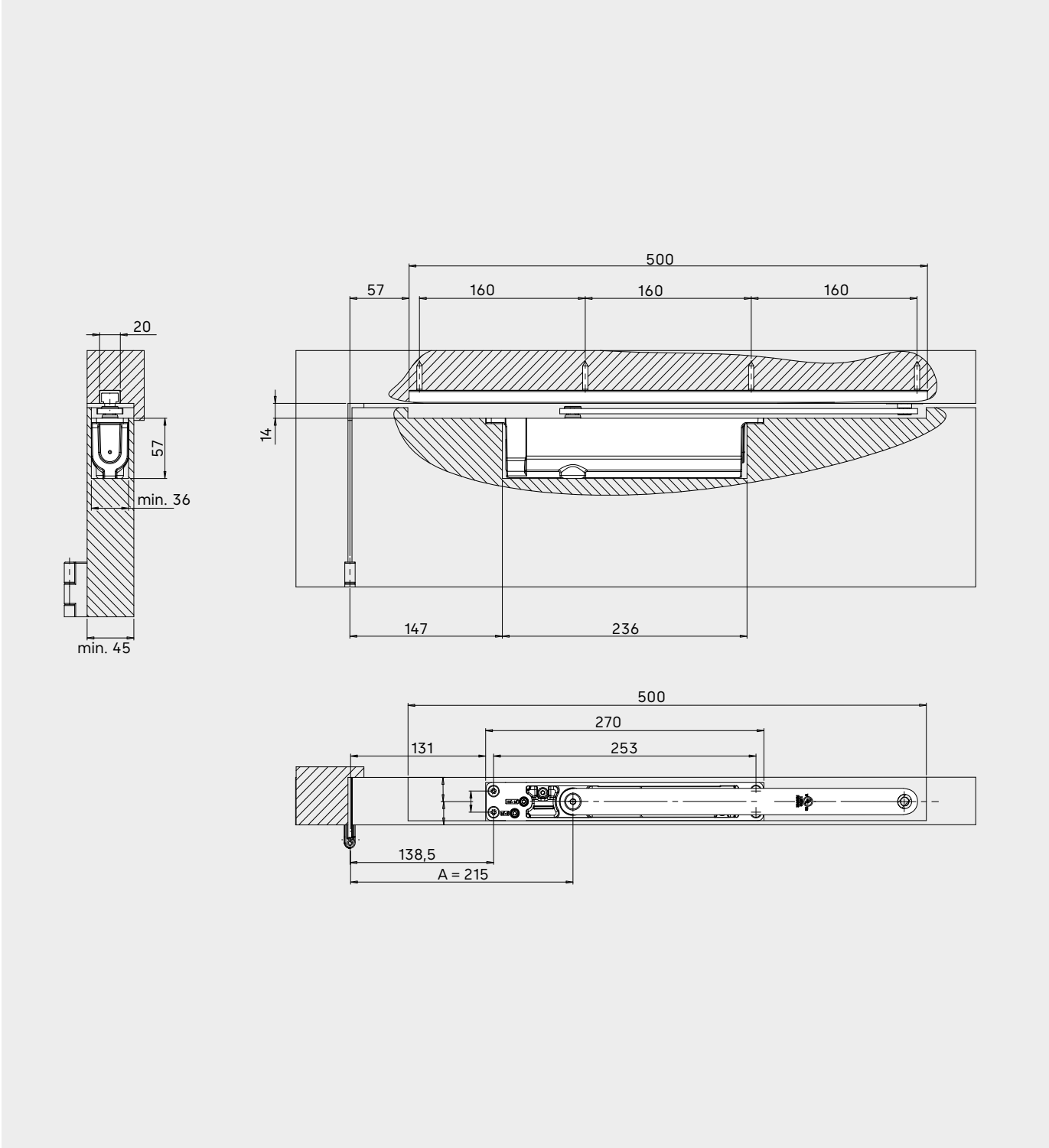


The hold-open unit enables doors to be securely held without any fall-back at precisely the required position up to an opening angle of approximately 115°. No adjustment is needed for pull-off force.

The mechanism is non-handed and has been specifically designed for retrofitting to the slide channel.

Not for fire and smoke check doors.

Installation Drawings



ITS 900 door closer with slide channel in a timber door.
 Example: Anticlockwise-closing (ISO 6) door; mirror image applies to clockwise-closing (ISO 5) doors.

Our Sustainability Commitment

We are committed to foster a sustainable development along our entire value chain in line with our economic, environmental and social responsibilities toward current and future generations. Sustainability at product level is an important, future-oriented approach in the field of construction. In order to give quantified disclosures of a product's environmental impact through its entire life cycle, dormakaba provides Environmental Product Declarations (EPD), based on holistic life cycle assessments.

www.dormakaba.com/sustainability



Our offering

Access Automation Solutions

Entrance Automation
Entrance Security



Access Control Solutions

Electronic Access & Data
Escape and Rescue Systems
Lodging Systems



Access Hardware Solutions

Door Closers
Architectural Hardware
Mechanical Key Systems



Services

Technical Support
Installation and commissioning
Maintenance and Repair



WN 05475351532, EN, 10/2023
Subject to change without notice



dormakaba.com

dormakaba
International Holding AG
Hofwissenstrasse 24
CH-8153 Rümlang
T +41 44 818 90 11
info@dormakaba.com
dormakaba.com