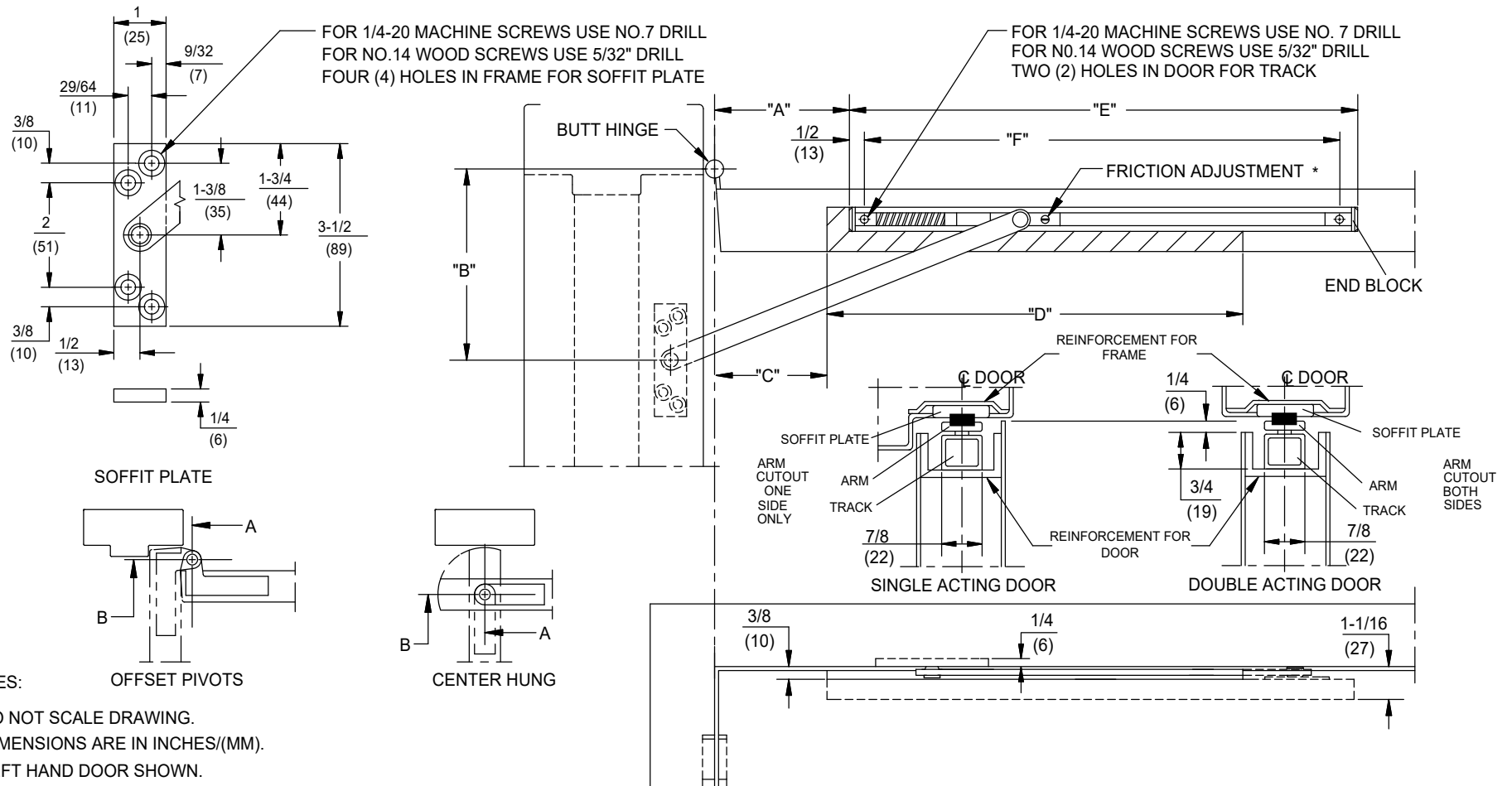


**INSTALLATION INSTRUCTIONS:**

1. Determine degree of dead stop required and select the "A", "B", "C", "D" and "E" dimensions from the opposite side of this page.
2. Prepare door and frame according to the template found on this page.
3. Insert end blocks into each end of track. Install track and arm assembly to door, making sure spring faces hinges.
4. Attach soffit plate to frame.
5. Adjust hold-open friction tension. Clockwise turns increase friction.
6. Open door to selective hold-open degree.
7. To close door, push closed.



STOP AND HOLDER SERIES: 711F - 713F  
STANDARD DUTY CONCEALED FRICTION/STOP  
SINGLE ACTING AND DOUBLE ACTING DOORS  
CENTER HUNG, 3/4" OFFSET AND 4-1/2" X 4-1/2" HINGES

**710 F SERIES  
STANDARD DUTY CONCEALED OVERHEAD STOP AND HOLDER**



UNIT	DEGREE OF OPENING	4-1/2" HINGES OR 3/4" PIVOTS					CENTER HUNG					DIM "E"	DIM "F"
		DOOR RANGE	DIM "A"	DIM "B"	DIM "C"	DIM "D"	DOOR RANGE	DIM "A"	DIM "B"	DIM "C"	DIM "D"		
711 F	85° STOP	21 to 27	4-1/2	4-3/4	3-3/4	11-7/8	23 to 28	4-7/16	6-1/2	6	11-1/2	15-7/8	14-3/4
	90° STOP		4-1/8	4-3/4	3	12		3-7/8	6-1/2	6	11-1/2		
	95° STOP		3-13/16	4-3/4	3	12		-	-	-	-		
	100° STOP		3-7/8	4-3/4	3	12		-	-	-	-		
	105° STOP		3-1/8	4-3/4	3	12		-	-	-	-		
	110° STOP		2-7/8	4-3/4	3	12		-	-	-	-		
712 F	85° STOP	27-1/8 to 36	7-1/8	6-3/4	5	13-3/8	28-1/8 to 37	6-5/8	7	6	15	18-1/4	17-1/4
	90° STOP		6-3/4	6-3/4	5	13-3/8		6-1/4	7	6	15		
	95° STOP		6-1/4	6-3/4	5	13-3/8		5-7/16	7	6	15		
	100° STOP		5-3/4	6-3/4	5	13-3/8		4-7/8	7	6	15		
	105° STOP		5-1/4	6-3/4	5	13-3/8		4-3/8	7	6	15		
	110° STOP		4-7/8	6-3/4	5	13-3/8		13-15/16	7	6	15		
713 F	85° STOP	36-1/8 to 54	12-1/4	10-1/8	8-3/8	18-1/8	37-1/8 to 54	10-7/8	10	9	21	21-7/8	20-3/4
	90° STOP		11-1/2	10-1/8	8-3/8	18-1/8		10	10	9	21		
	95° STOP		10-13/16	10-1/8	8-3/8	18-1/8		9-1/8	10	9	21		
	100° STOP		10-1/8	9-1/8	7-3/8	18-1/4		9-15/16	8	7	17-1/2		
	105° STOP		9-9/16	9-1/8	7-3/8	18-1/4		9-3/8	8	7	17-1/2		
	110° STOP		9	9-1/8	7-3/8	18-1/4		8-7/8	8	7	17-1/2		

- a. All 4-1/2" WIDE HINGE and 3/4" OFFSET PIVOT dimensions are for 1-3/4" thick doors, CENTER HUNG are for 1-3/4" to 2-1/4" thick doors. For additional door thicknesses consult DORMA's Technical Services department.
- b. STOP is the maximum degree to which the door will open when the shock spring is fully compressed.
- c. All values are in inches.