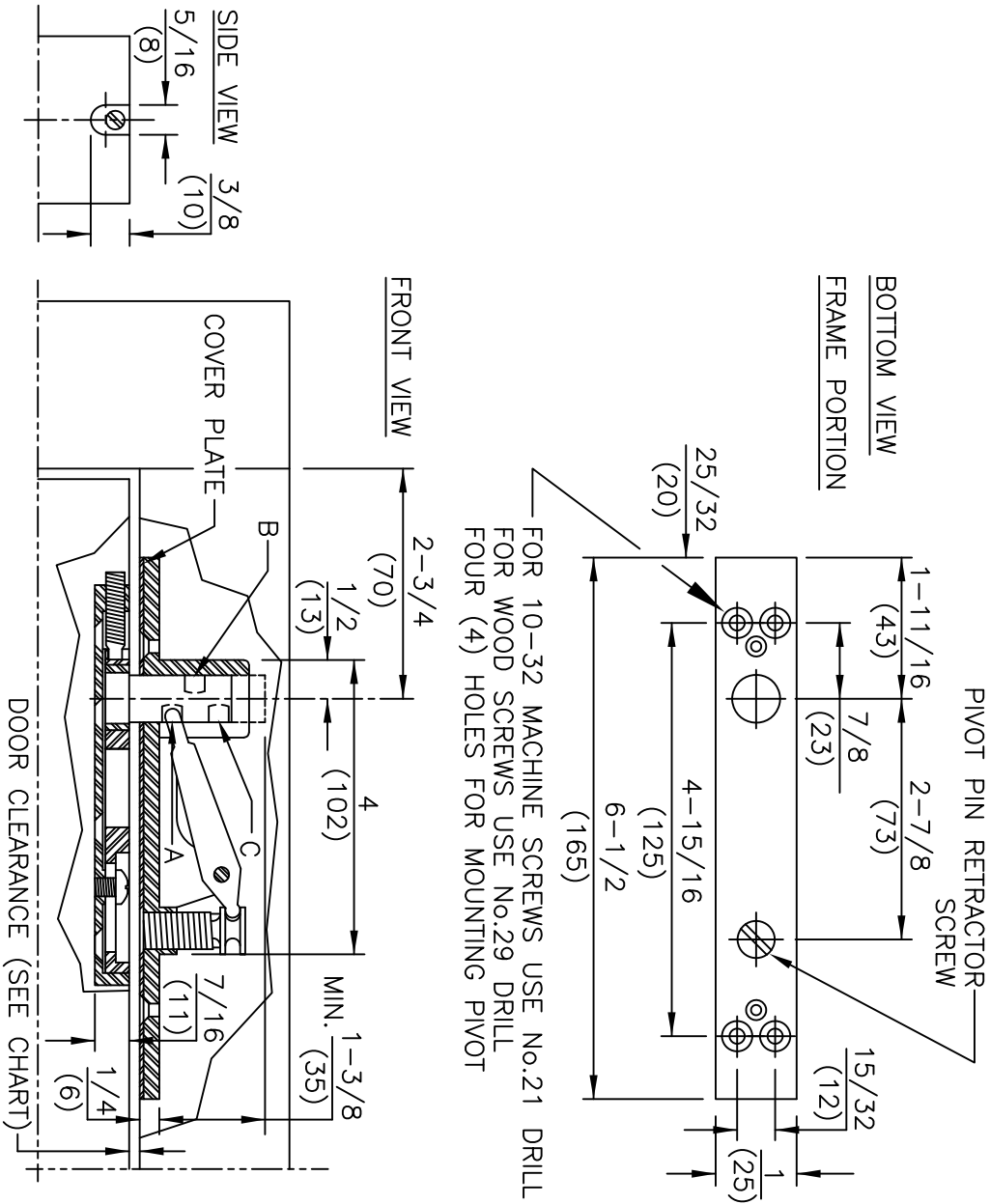


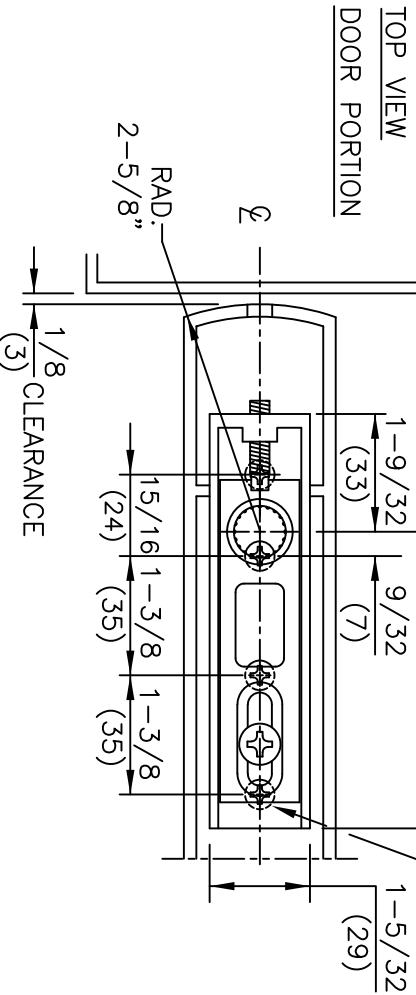
- NOTES**
1. DO NOT SCALE DRAWING.
 2. DIMENSIONS ARE IN INCHES/(MM).
 3. ALL NECESSARY REINFORCING FOR PIVOTS BY OTHERS.
 4. PIVOT PIN DIAMETER .591/(15MM).
 5. PIVOT PIN PROJECTION IS ADJUSTABLE. SEE CHART FOR DOOR CLEARANCES.

DOOR CLEARANCE		
POSITION	STANDARD PIN	EXTENDED PIN
A	1/8"(3)	3/4"(19)
B	3/8"(10)	1"(25)
C	3/4"(19)	1-5/16"(33)



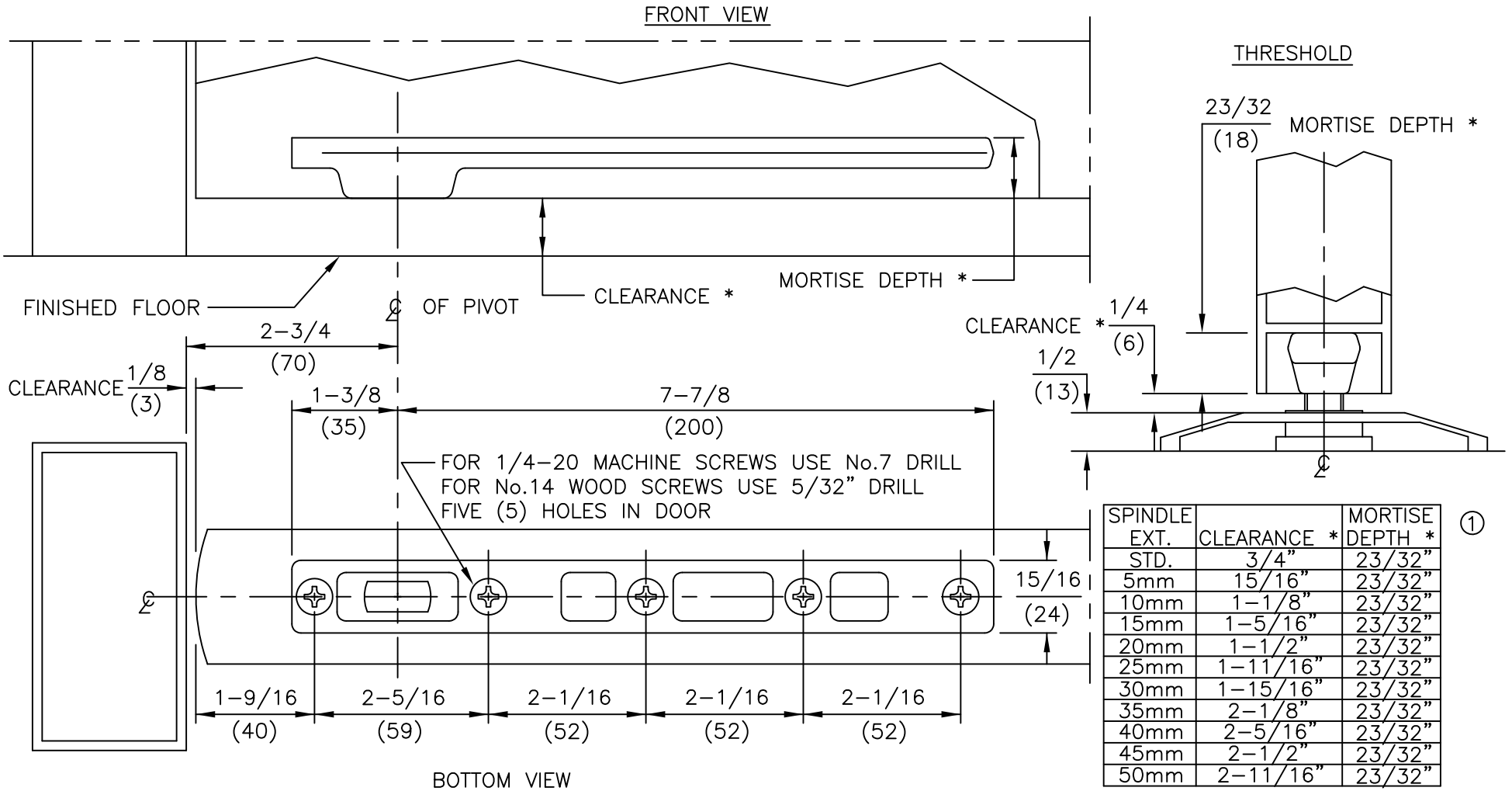
FOR 10-32 MACHINE SCREWS USE No.21 DRILL
 FOR WOOD SCREWS USE No.29 DRILL
 FOUR (4) HOLES FOR MOUNTING PIVOT

FOR 10-32 MACHINE SCREWS USE No.21 DRILL
 FOR WOOD SCREWS USE No.29 DRILL
 FOUR (4) HOLES IN DOOR



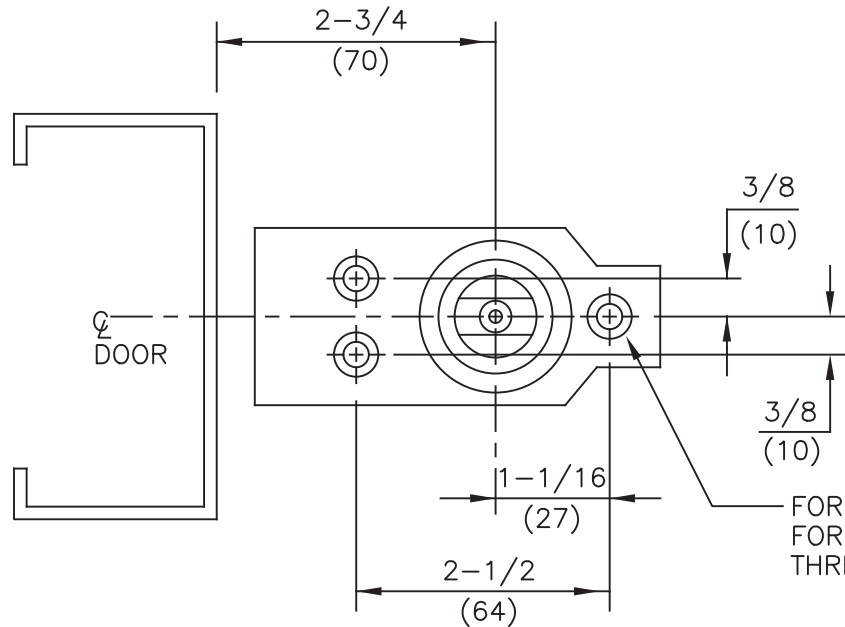
NOTES

1. DO NOT SCALE DRAWING.
2. DIMENSIONS ARE IN INCHES/(MM).
3. ALL NECESSARY REINFORCEMENT FOR ARM BY OTHERS.



ITEM No. 7421
 CENTER HUNG BOTTOM ARM
 FOR USE WITH 7471K FLOOR BEARING

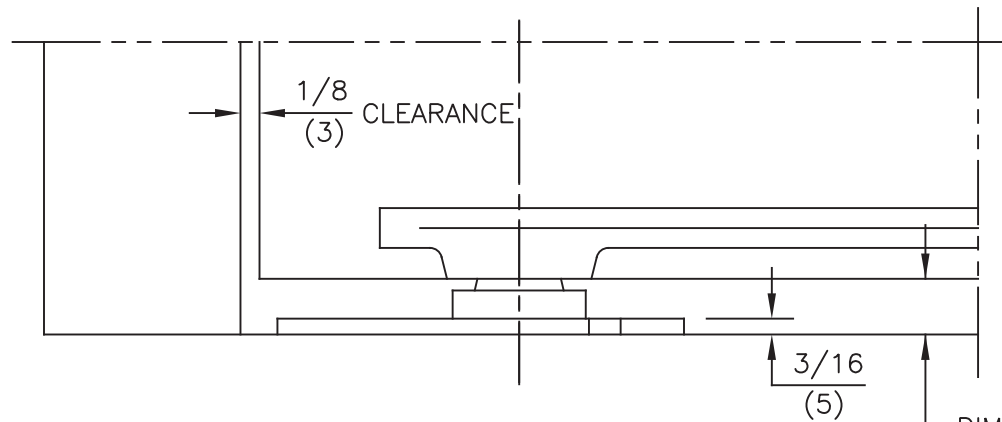




NOTES:

1. DO NOT SCALE DRAWING.
2. DIMENSIONS ARE IN INCHES\MM.
3. DIMENSION "A" IS DISTANCE FROM BOTTOM OF PIVOT TO BOTTOM OF ARM. WHEN BOTTOM ARM IS INSTALLED TO THE STANDARD TEMPLATE, THIS IS ALSO EQUAL TO THE BOTTOM DOOR CLEARANCE.

FOR WOOD FLOORS USE 1/8" DRILL
 FOR CONCRETE FLOORS USE 1/4" DRILL 1" DEEP
 THREE (3) HOLES



DIM. "A"
 SEE NOTE #3

SPINDLE SIZE	DIM. "A"
STD.	3/4 (19)
5mm	7/8 (22)
10mm	1-1/16 (27)
15mm	1-1/4 (32)
20mm	1-7/16 (37)
25mm	1-5/8 (42)
30mm	1-7/8 (47)
35mm	2-1/16 (52)
40mm	2-1/4 (57)
45mm	2-7/16 (62)

NOT TO SCALE. MEASUREMENTS ARE FOR REFERENCE ONLY. NOT A DRILLING TEMPLATE.

ITEM No. 7471K
 CENTER HUNG FLOOR BEARING INSTALLATION
 FOR USE WITH 7421, 7422, BOTTOM ARMS

